

**Revision B:**

• MSZ-GX06/09/12/15/18/24/30/36NL - **CA2** and  
MSY-GX09/12/15/18/24/30/36NL - **CA2** have  
been added.

OBB963 REVISED EDITION-A is void.

## INDOOR UNIT

**No. OBB963**  
REVISED EDITION-B

# PARTS CATALOG

### Models

**MSZ-GX06NL** - **CA1**, **CA2**

**MSZ-GX09NL** - **CA1**, **CA2**

**MSZ-GX12NL** - **CA1**, **CA2**

**MSZ-GX15NL** - **CA1**, **CA2**

**MSZ-GX18NL** - **CA1**, **CA2**

**MSZ-GX24NL** - **CA1**, **CA2**

**MSZ-GX30NL** - **CA1**, **CA2**

**MSZ-GX36NL** - **CA1**, **CA2**

**MSY-GX09NL** - **CA1**, **CA2**

**MSY-GX12NL** - **CA1**, **CA2**

**MSY-GX15NL** - **CA1**, **CA2**

**MSY-GX18NL** - **CA1**, **CA2**

**MSY-GX24NL** - **CA1**, **CA2**

**MSY-GX30NL** - **CA1**, **CA2**

**MSY-GX36NL** - **CA1**, **CA2**



**MSZ-GX18/24/30/36NL**

**MSY-GX18/24/30/36NL**

### CONTENTS

1. SERVICE PARTS LIST ..... 2
2. OPTIONAL PARTS ..... 23

**SERVICE MANUAL (OBH963)**

**Revision A:**

• MSZ-GX06/09/12/15NL - [CA1] and MSY-GX09/12/15NL - [CA1] have been added.

**Revision B:**

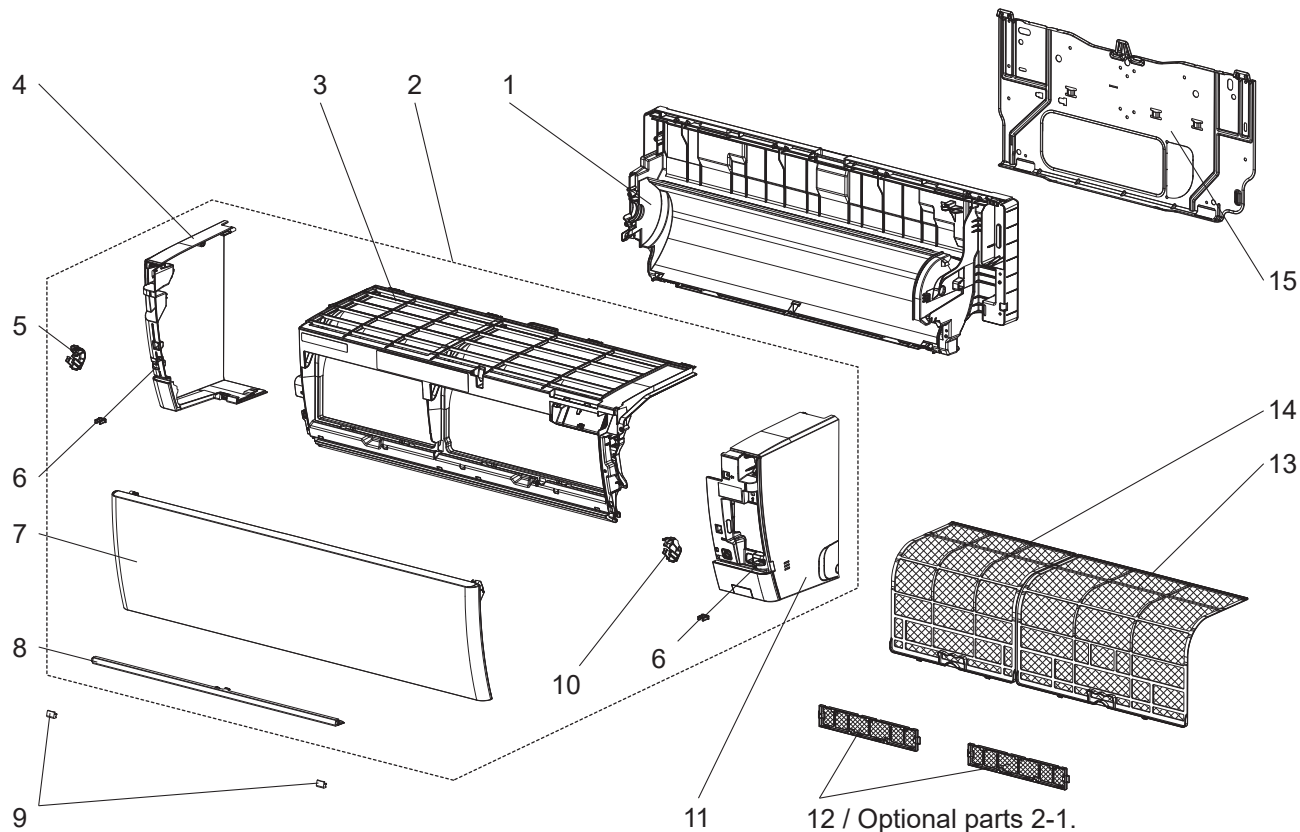
• MSZ-GX06/09/12/15/18/24/30/36NL - [CA2] and MSY-GX09/12/15/18/24/30/36NL - [CA2] have been added.

**1 SERVICE PARTS LIST**

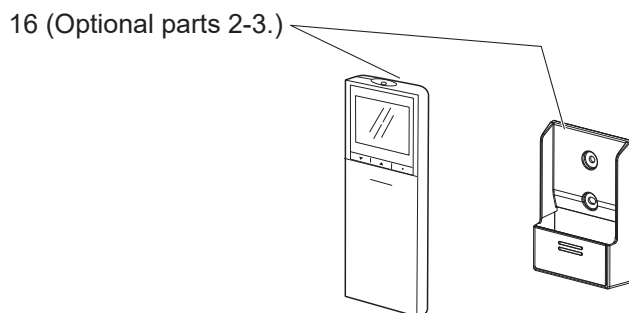
**MSZ-GX06NL - [CA1] MSZ-GX09NL - [CA1] MSZ-GX12NL - [CA1] MSZ-GX15NL - [CA1]**

**MSY-GX09NL - [CA1] MSY-GX12NL - [CA1] MSY-GX15NL - [CA1]**

**1-1. INDOOR UNIT STRUCTURAL PARTS**



**1-2. ACCESSORY AND REMOTE CONTROLLER**



## 1-1. INDOOR UNIT STRUCTURAL PARTS

1. The part quantity below indicates the required number of pieces per unit.

No.	Part No.	Part Name	MSZ-GX06NL	MSZ-GX09NL	MSZ-GX12NL	MSZ-GX15NL	MSY-GX09NL	MSY-GX12NL	MSY-GX15NL	Symbol in Wiring Diagram	Remarks
			-[CA1]	-[CA1]	-[CA1]	-[CA1]	-[CA1]	-[CA1]	-[CA1]		
1	U01 A06 234	BOX ASSEMBLY	1	1	1	1	1	1	1		Not including LABELS
2	U01 A33 000	PANEL ASSEMBLY	1								
2	U01 A34 000	PANEL ASSEMBLY		1							
2	U01 A35 000	PANEL ASSEMBLY			1						
2	U01 A36 000	PANEL ASSEMBLY				1					
2	U01 A37 000	PANEL ASSEMBLY					1				
2	U01 A38 000	PANEL ASSEMBLY						1			
2	U01 A39 000	PANEL ASSEMBLY							1		
3	U01 A16 010	PANEL (FRONT) ASSEMBLY	1	1	1	1	1	1	1		
4	U01 A20 000	PANEL (LEFT) ASSEMBLY	1	1	1	1	1	1	1		Includes No. 5, 6
5	U01 002 080	ARM HOLDER (LEFT)	1	1	1	1	1	1	1		
6	U01 A02 142	CATCH	2	2	2	2	2	2	2		2 PCS/SET
7	U01 A07 010	FRONT PANEL	1	1	1	1	1	1	1		Not including LABELS
8	U01 A21 000	PANEL (UNDER) ASSEMBLY	1	1	1	1	1	1	1		
9	U01 003 087	SCREW CAP	2	2	2	2	2	2	2		2 PCS/SET
10	U01 001 080	ARM HOLDER (RIGHT)	1	1	1	1	1	1	1		
11	U01 A18 000	PANEL (RIGHT) ASSEMBLY	1	1	1	1	1	1	1		Includes No. 6, 10
12	—	AIR CLEANING FILTER (ELECTROSTATIC ANTI-ALLERGY ENZYME FILTER)	2	2	2	2	2	2	2		2 PCS/SET MAC-2320FT
13	U01 001 500	AIR FILTER_RIGHT	1	1	1	1	1	1	1		1 PC/SET
14	U01 002 500	AIR FILTER_LEFT	1	1	1	1	1	1	1		1 PC/SET
15	U01 A04 970	INSTALLATION PLATE	1	1	1	1	1	1	1		

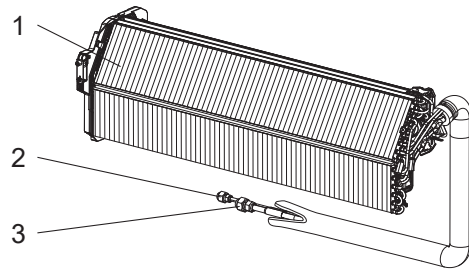
## 1-2. ACCESSORY AND REMOTE CONTROLLER

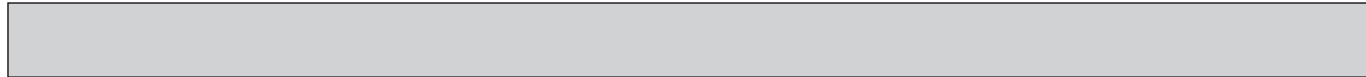
1. The part quantity below indicates the required number of pieces per unit.

No.	Part No.	Part Name	MSZ-GX06NL	MSZ-GX09NL	MSZ-GX12NL	MSZ-GX15NL	MSY-GX09NL	MSY-GX12NL	MSY-GX15NL	Symbol in Wiring Diagram	Remarks
			-[CA1]	-[CA1]	-[CA1]	-[CA1]	-[CA1]	-[CA1]	-[CA1]		
16	—	REMOTE CONTROLLER INFRARED	1	1	1	1					Refer to 2. OPTIONAL PARTS.
16	—	REMOTE CONTROLLER INFRARED					1	1	1		Refer to 2. OPTIONAL PARTS.

**MSZ-GX06NL-CA1 MSZ-GX09NL-CA1 MSZ-GX12NL-CA1 MSZ-GX15NL-CA1**  
**MSY-GX09NL-CA1 MSY-GX12NL-CA1 MSY-GX15NL-CA1**

**1-3. INDOOR UNIT HEAT EXCHANGER**





### 1-3. INDOOR UNIT HEAT EXCHANGER

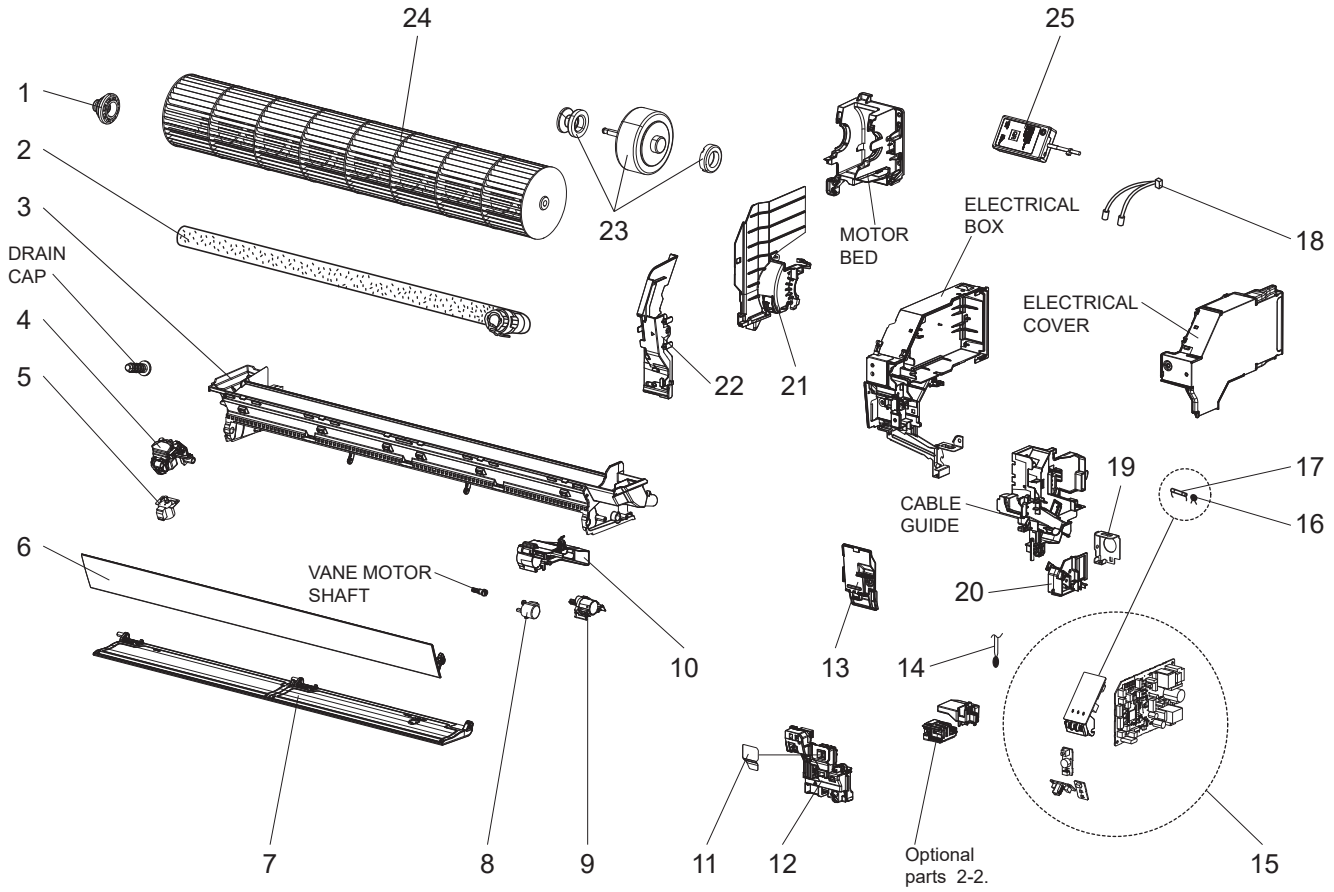
1. The part quantity below indicates the required number of pieces per unit.

No.	Part No.	Part Name	MSZ-GX06NL - [CAT]	MSZ-GX09NL - [CAT]	MSZ-GX12NL - [CAT]	MSZ-GX15NL - [CAT]	MSY-GX09NL - [CAT]	MSY-GX12NL - [CAT]	MSY-GX15NL - [CAT]	Symbol in Wiring Diagram	Remarks
1	U01 A10 620	INDOOR HEAT EXCHANGER	1	1	1		1	1			
1	U01 A11 620	INDOOR HEAT EXCHANGER				1			1		
2	U01 A01 667	UNION (LIQUID)	1	1	1	1	1	1	1		ø1/4 (ø6.35)
3	U01 A01 666	UNION (GAS)	1	1	1		1	1			ø3/8 (ø9.52)
3	U01 A02 666	UNION (GAS)				1			1		ø1/2 (ø12.7)

MSZ-GX06NL-CA1 MSZ-GX09NL-CA1 MSZ-GX12NL-CA1 MSZ-GX15NL-CA1

MSY-GX09NL-CA1 MSY-GX12NL-CA1 MSY-GX15NL-CA1

### 1-4. INDOOR UNIT ELECTRICAL PARTS AND FUNCTIONAL PARTS



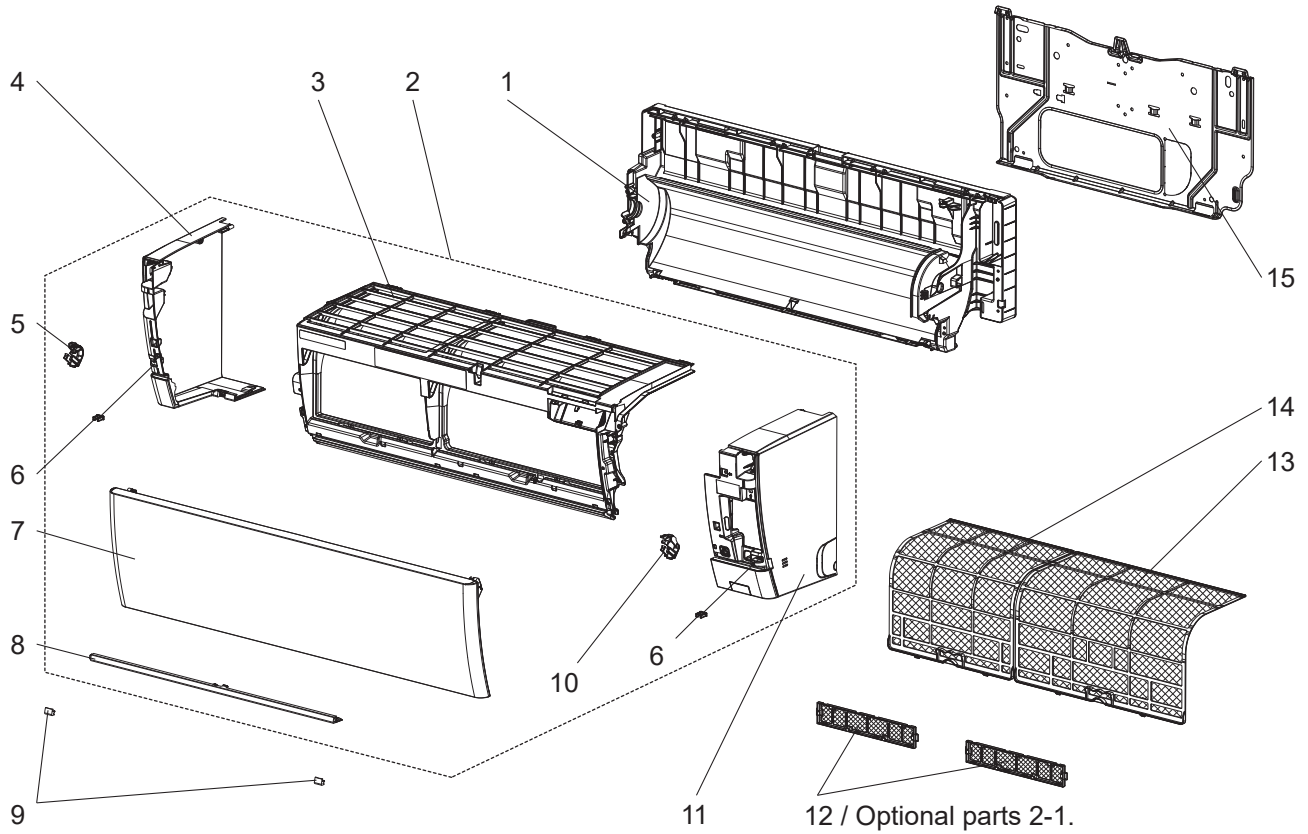
## 1-4. INDOOR UNIT ELECTRICAL PARTS AND FUNCTIONAL PARTS

1. The part quantity below indicates the required number of pieces per unit.

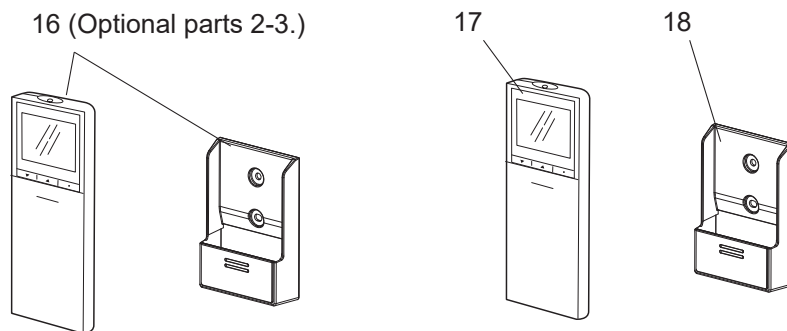
2. The circled No. indicates that the part is not shown in the figure.

No.	Part No.	Part Name	MSZ-GX06NL-	MSZ-GX09NL-	MSZ-GX12NL-	MSZ-GX15NL-	MSY-GX09NL-	MSY-GX12NL-	MSY-GX15NL-	Symbol in Wiring Diagram	Remarks
			CA1	CA1	CA1	CA1	CA1	CA1	CA1		
1	U01 A02 510	BEARING MOUNT ASSEMBLY	1	1	1	1	1	1	1		Includes sleeve bearing
2	U01 A01 702	DRAIN HOSE	1	1	1	1	1	1	1		
3	U01 A05 235	NOZZLE ASSEMBLY	1	1	1	1	1	1	1		Full assembly except DRAIN HOSE
4	U01 A02 044	VERTICAL VANE MOTOR UNIT	1	1	1	1	1	1	1		Includes MV3
5	U01 A03 044	VANE MOTOR (VERTICAL)	1	1	1	1	1	1	1	MV3	RIGHT & LEFT
6	U01 A02 040	HORIZONTAL VANE (UPPER) ASSEMBLY	1	1	1	1	1	1	1		Includes shaft
7	U01 A02 041	HORIZONTAL VANE (LOWER) ASSEMBLY	1	1	1	1	1	1	1		Includes shaft
8	U01 A01 303	VANE MOTOR (HORIZONTAL) (UPPER)	1	1	1	1	1	1	1	MV1	UP & DOWN
9	U01 A03 046	VANE MOTOR (HORIZONTAL) (LOWER)	1	1	1	1	1	1	1	MV2	UP & DOWN
10	U01 A02 046	HORIZONTAL VANE MOTOR UNIT	1	1	1	1	1	1	1		Includes MV1 & MV2
11	U01 009 987	SWITCH SHEET	1	1	1	1	1	1	1		
12	U01 A02 085	DISPLAY AND RECEIVER P.C. BOARD HOLDER ASSEMBLY	1	1	1	1	1	1	1		
13	U01 A03 784	V.A. CLAMP ASSEMBLY	1	1	1	1	1	1	1		
14	U01 A11 308	ROOM TEMPERATURE THERMISTOR	1	1	1	1	1	1	1	RT11	
15	U01 A70 452	ELECTRONIC CONTROL P.C. BOARD	1								Includes RECEIVER P.C. BOARD, DISPLAY P.C. BOARD, SWITCH P.C. BOARD, TERMINAL P.C. BOARD
15	U01 A71 452	ELECTRONIC CONTROL P.C. BOARD		1							
15	U01 A72 452	ELECTRONIC CONTROL P.C. BOARD			1						
15	U01 A73 452	ELECTRONIC CONTROL P.C. BOARD				1					
15	U01 A74 452	ELECTRONIC CONTROL P.C. BOARD					1				
15	U01 A75 452	ELECTRONIC CONTROL P.C. BOARD						1			
15	U01 A76 452	ELECTRONIC CONTROL P.C. BOARD							1		
16	U01 A01 385	VARISTOR	1	1	1	1	1	1	1	NR11	
17	U01 001 239	FUSE	1	1	1	1	1	1	1	F11	T3.15AL250V
18	U01 A09 307	INDOOR COIL THERMISTOR	1	1	1	1	1	1	1	RT12, RT13	
19	U01 A06 978	CONDUIT PLATE	1	1	1	1	1	1	1		
20	U01 A04 979	CONDUIT COVER	1	1	1	1	1	1	1		
21	U01 A04 333	MOTOR BAND	1	1	1	1	1	1	1		
22	U01 A02 690	WATER COVER	1	1	1	1	1	1	1		
23	U01 A06 300	INDOOR FAN MOTOR	1	1	1	1	1	1	1	MF	RC0J30-□□, Includes FAN MOTOR RUBBER MOUNT (2 PCS/SET)
24	U01 A05 302	LINE FLOW FAN	1	1	1	1	1	1	1		
25	U01 002 937	WIRELESS LAN MODULE	1	1	1	1	1	1	1		
(26)	U01 A10 392	DISPLAY LEAD ASSEMBLY	1	1	1	1	1	1	1		

**MSZ-GX06NL-CA2 MSZ-GX09NL-CA2 MSZ-GX12NL-CA2 MSZ-GX15NL-CA2**  
**MSY-GX09NL-CA2 MSY-GX12NL-CA2 MSY-GX15NL-CA2**  
**1-5. INDOOR UNIT STRUCTURAL PARTS**



**1-6. ACCESSORY AND REMOTE CONTROLLER**



## 1-5. INDOOR UNIT STRUCTURAL PARTS

1. The part quantity below indicates the required number of pieces per unit.

No.	Part No.	Part Name	MSZ-GX06NL - CA2	MSZ-GX09NL - CA2	MSZ-GX12NL - CA2	MSZ-GX15NL - CA2	MSY-GX09NL - CA2	MSY-GX12NL - CA2	MSY-GX15NL - CA2	Symbol in Wiring Diagram	Remarks
1	U01 A06 234	BOX ASSEMBLY	1	1	1	1	1	1	1		Not including LABELS
2	U01 A53 000	PANEL ASSEMBLY	1								
2	U01 A54 000	PANEL ASSEMBLY		1							
2	U01 A55 000	PANEL ASSEMBLY			1						
2	U01 A56 000	PANEL ASSEMBLY				1					
2	U01 A57 000	PANEL ASSEMBLY					1				
2	U01 A58 000	PANEL ASSEMBLY						1			
2	U01 A59 000	PANEL ASSEMBLY							1		
3	U01 A16 010	PANEL (FRONT) ASSEMBLY	1	1	1	1	1	1	1		
4	U01 A52 000	PANEL (LEFT) ASSEMBLY	1	1	1	1	1	1	1		Includes No. 5, 6
5	U01 002 080	ARM HOLDER (LEFT)	1	1	1	1	1	1	1		
6	U01 A02 142	CATCH	2	2	2	2	2	2	2		2 PCS/SET
7	U01 A07 010	FRONT PANEL	1	1	1	1	1	1	1		Not including LABELS
8	U01 A21 000	PANEL (UNDER) ASSEMBLY	1	1	1	1	1	1	1		
9	U01 003 087	SCREW CAP	2	2	2	2	2	2	2		2 PCS/SET
10	U01 001 080	ARM HOLDER (RIGHT)	1	1	1	1	1	1	1		
11	U01 A51 000	PANEL (RIGHT) ASSEMBLY	1	1	1	1	1	1	1		Includes No. 6, 10
12	—	AIR CLEANING FILTER (ELECTROSTATIC ANTI-ALLERGY ENZYME FILTER)	2	2	2	2	2	2	2		2 PCS/SET MAC-2320FT
13	U01 001 500	AIR FILTER_RIGHT	1	1	1	1	1	1	1		1 PC/SET
14	U01 002 500	AIR FILTER_LEFT	1	1	1	1	1	1	1		1 PC/SET
15	U01 A04 970	INSTALLATION PLATE	1	1	1	1	1	1	1		

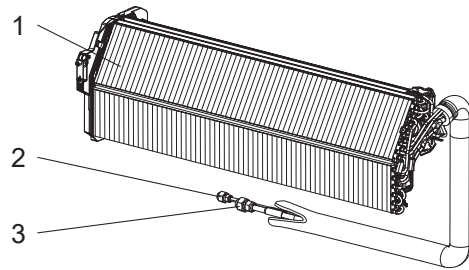
## 1-6. ACCESSORY AND REMOTE CONTROLLER

1. The part quantity below indicates the required number of pieces per unit.

No.	Part No.	Part Name	MSZ-GX06NL - CA2	MSZ-GX09NL - CA2	MSZ-GX12NL - CA2	MSZ-GX15NL - CA2	MSY-GX09NL - CA2	MSY-GX12NL - CA2	MSY-GX15NL - CA2	Symbol in Wiring Diagram	Remarks
16	—	REMOTE CONTROLLER INFRARED	1	1	1	1					Refer to 2. OPTIONAL PARTS.
16	—	REMOTE CONTROLLER INFRARED					1	1	1		Refer to 2. OPTIONAL PARTS.
17	U01 A26 426	REMOTE CONTROLLER INFRARED	1	1	1	1					SH24H (English)
17	U01 A27 426	REMOTE CONTROLLER INFRARED					1	1	1		SH24J (English)
18	U01 A20 426	REMOTE CONTROLLER HOLDER	1	1	1	1	1	1	1		

**MSZ-GX06NL-CA2 MSZ-GX09NL-CA2 MSZ-GX12NL-CA2 MSZ-GX15NL-CA2**  
**MSY-GX09NL-CA2 MSY-GX12NL-CA2 MSY-GX15NL-CA2**

### 1-7. INDOOR UNIT HEAT EXCHANGER





### 1-7. INDOOR UNIT HEAT EXCHANGER

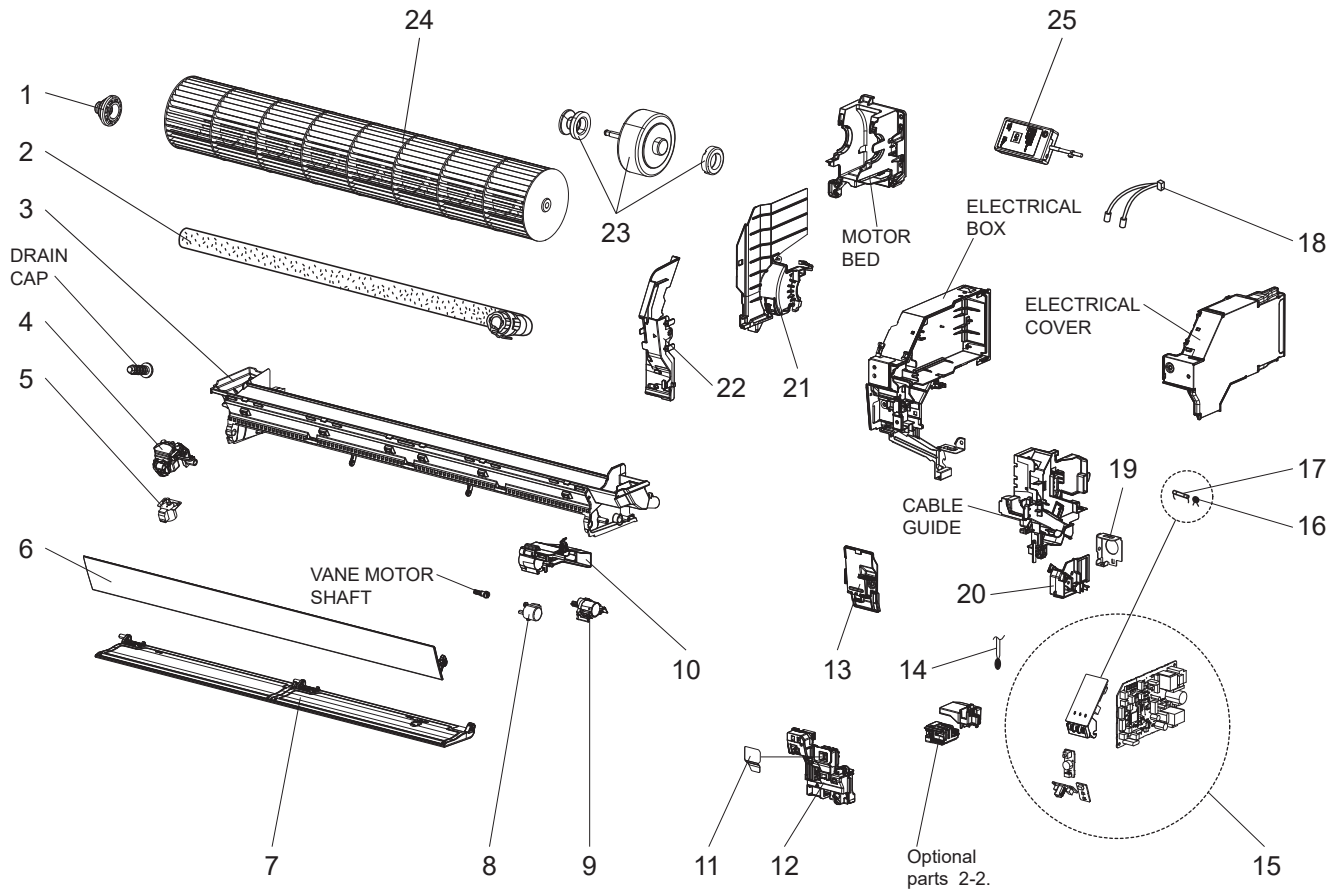
1. The part quantity below indicates the required number of pieces per unit.

No.	Part No.	Part Name	MSZ-GX06NL - CA2	MSZ-GX09NL - CA2	MSZ-GX12NL - CA2	MSZ-GX15NL - CA2	MSY-GX09NL - CA2	MSY-GX12NL - CA2	MSY-GX15NL - CA2	Symbol in Wiring Diagram	Remarks
1	U01 A10 620	INDOOR HEAT EXCHANGER	1	1	1		1	1			
1	U01 A11 620	INDOOR HEAT EXCHANGER				1			1		
2	U01 A01 667	UNION (LIQUID)	1	1	1	1	1	1	1		ø1/4 (ø6.35)
3	U01 A01 666	UNION (GAS)	1	1	1		1	1			ø3/8 (ø9.52)
3	U01 A02 666	UNION (GAS)				1			1		ø1/2 (ø12.7)

MSZ-GX06NL-CA2 MSZ-GX09NL-CA2 MSZ-GX12NL-CA2 MSZ-GX15NL-CA2

MSY-GX09NL-CA2 MSY-GX12NL-CA2 MSY-GX15NL-CA2

### 1-8. INDOOR UNIT ELECTRICAL PARTS AND FUNCTIONAL PARTS



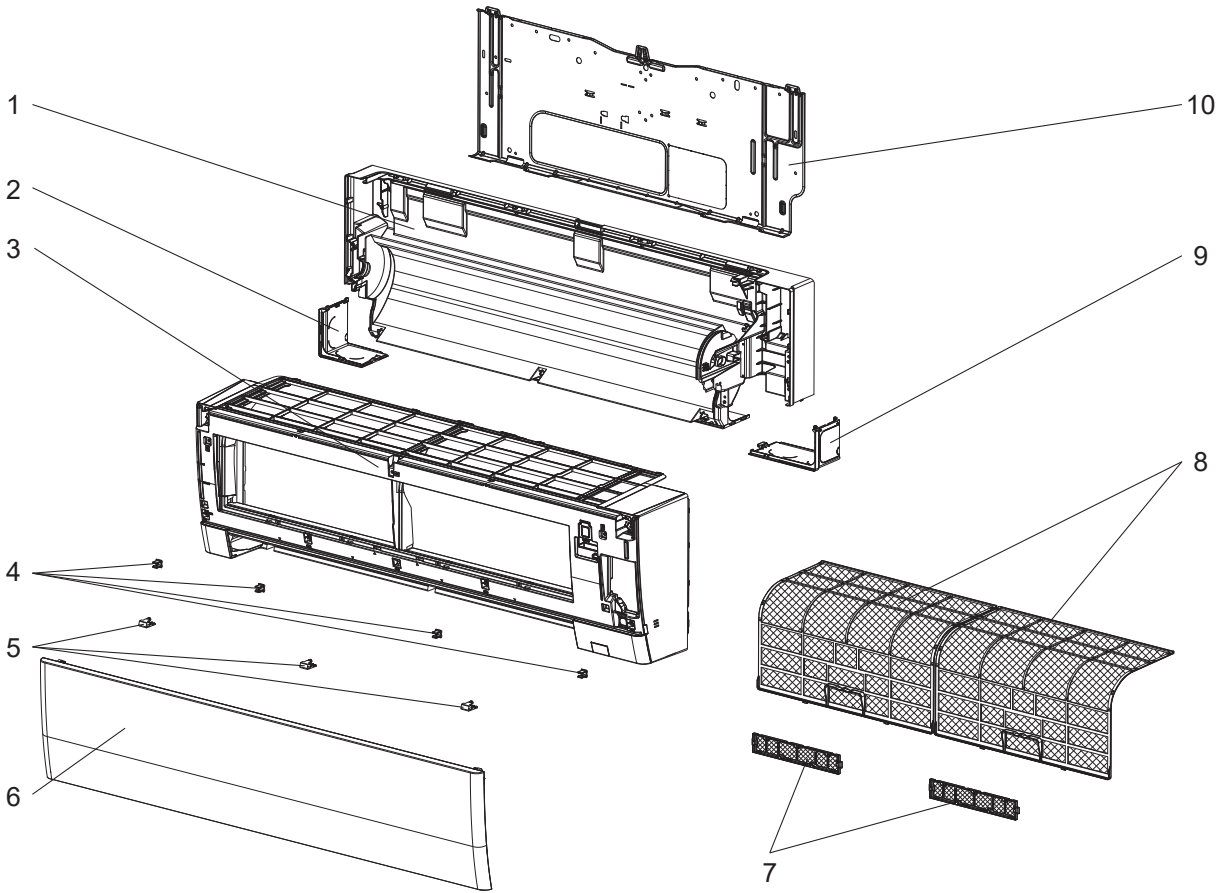
## 1-8. INDOOR UNIT ELECTRICAL PARTS AND FUNCTIONAL PARTS

1. The part quantity below indicates the required number of pieces per unit.

2. The circled No. indicates that the part is not shown in the figure.

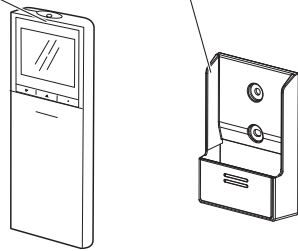
No.	Part No.	Part Name	MSZ-GX06NL-	MSZ-GX09NL-	MSZ-GX12NL-	MSZ-GX15NL-	MSY-GX09NL-	MSY-GX12NL-	MSY-GX15NL-	Symbol in Wiring Diagram	Remarks
			CA2	CA2	CA2	CA2	CA2	CA2	CA2		
1	U01 A01 510	BEARING MOUNT ASSEMBLY	1	1	1	1	1	1	1		Includes sleeve bearing
2	U01 A01 702	DRAIN HOSE	1	1	1	1	1	1	1		
3	U01 A08 235	NOZZLE ASSEMBLY	1	1	1	1	1	1	1		Full assembly except DRAIN HOSE
4	U01 A02 044	VERTICAL VANE MOTOR UNIT	1	1	1	1	1	1	1		Includes MV3
5	U01 A03 044	VANE MOTOR (VERTICAL)	1	1	1	1	1	1	1	MV3	RIGHT & LEFT
6	U01 A02 040	HORIZONTAL VANE (UPPER) ASSEMBLY	1	1	1	1	1	1	1		Includes shaft
7	U01 A02 041	HORIZONTAL VANE (LOWER) ASSEMBLY	1	1	1	1	1	1	1		Includes shaft
8	U01 A01 303	VANE MOTOR (HORIZONTAL) (UPPER)	1	1	1	1	1	1	1	MV1	UP & DOWN
9	U01 A03 046	VANE MOTOR (HORIZONTAL) (LOWER)	1	1	1	1	1	1	1	MV2	UP & DOWN
10	U01 A02 046	HORIZONTAL VANE MOTOR UNIT	1	1	1	1	1	1	1		Includes MV1 & MV2
11	U01 009 987	SWITCH SHEET	1	1	1	1	1	1	1		
12	U01 A02 085	DISPLAY AND RECEIVER P.C. BOARD HOLDER ASSEMBLY	1	1	1	1	1	1	1		
13	U01 A03 784	V.A. CLAMP ASSEMBLY	1	1	1	1	1	1	1		
14	U01 A11 308	ROOM TEMPERATURE THERMISTOR	1	1	1	1	1	1	1	RT11	
15	U01 A98 452	ELECTRONIC CONTROL P.C. BOARD	1								Includes RECEIVER P.C. BOARD, DISPLAY P.C. BOARD, SWITCH P.C. BOARD, TERMINAL P.C. BOARD
15	U01 A99 452	ELECTRONIC CONTROL P.C. BOARD		1							
15	U01 B01 452	ELECTRONIC CONTROL P.C. BOARD			1						
15	U01 B02 452	ELECTRONIC CONTROL P.C. BOARD				1					
15	U01 B03 452	ELECTRONIC CONTROL P.C. BOARD					1				
15	U01 B04 452	ELECTRONIC CONTROL P.C. BOARD						1			
15	U01 B05 452	ELECTRONIC CONTROL P.C. BOARD							1		
16	U01 A01 385	VARISTOR	1	1	1	1	1	1	1	NR11	
17	U01 001 239	FUSE	1	1	1	1	1	1	1	F11	T3.15AL250V
18	U01 A09 307	INDOOR COIL THERMISTOR	1	1	1	1	1	1	1	RT12, RT13	
19	U01 A06 978	CONDUIT PLATE	1	1	1	1	1	1	1		
20	U01 A04 979	CONDUIT COVER	1	1	1	1	1	1	1		
21	U01 A04 333	MOTOR BAND	1	1	1	1	1	1	1		
22	U01 A02 690	WATER COVER	1	1	1	1	1	1	1		
23	U01 A06 300	INDOOR FAN MOTOR	1	1	1	1	1	1	1	MF	RC0J30-□□, Includes FAN MOTOR RUBBER MOUNT (2 PCS/SET)
24	U01 A05 302	LINE FLOW FAN	1	1	1	1	1	1	1		
25	U01 004 937	WIRELESS LAN MODULE	1	1	1	1	1	1	1		
26	U01 A10 392	DISPLAY LEAD ASSEMBLY	1	1	1	1	1	1	1		

**MSZ-GX18NL-CA1 MSZ-GX24NL-CA1 MSZ-GX30NL-CA1 MSZ-GX36NL-CA1**  
**MSY-GX18NL-CA1 MSY-GX24NL-CA1 MSY-GX30NL-CA1 MSY-GX36NL-CA1**  
**1-9. INDOOR UNIT STRUCTURAL PARTS**

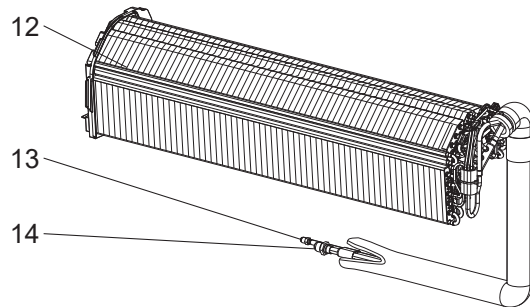


**1-10. ACCESSORY AND REMOTE CONTROLLER**

11 / Optional Parts 2-3.



**1-11. INDOOR UNIT HEAT EXCHANGER**



## 1-9. INDOOR UNIT STRUCTURAL PARTS

1. The part quantity below indicates the required number of pieces per unit.

No.	Part No.	Part Name	MSZ-GX18NL - [CAT]	MSZ-GX24NL - [CAT]	MSZ-GX30NL - [CAT]	MSZ-GX36NL - [CAT]	MSY-GX18NL - [CAT]	MSY-GX24NL - [CAT]	MSY-GX30NL - [CAT]	MSY-GX36NL - [CAT]	Symbol in Wiring Diagram	Remarks
1	E22 89F 234	BOX ASSEMBLY	1	1	1	1	1	1	1	1		Not including LABELS
2	E22 89F 976	CORNER BOX (LEFT)	1	1	1	1	1	1	1	1		
3	E22 3K5 000	PANEL ASSEMBLY	1									Includes No. 4 and 6
3	E22 3K6 000	PANEL ASSEMBLY		1								Includes No. 4 and 6
3	E22 3K7 000	PANEL ASSEMBLY			1							Includes No. 4 and 6
3	E22 3K8 000	PANEL ASSEMBLY				1						Includes No. 4 and 6
3	E22 1K7 000	PANEL ASSEMBLY					1					Includes No. 4 and 6
3	E22 1K8 000	PANEL ASSEMBLY						1				Includes No. 4 and 6
3	E22 1K9 000	PANEL ASSEMBLY							1			Includes No. 4 and 6
3	E22 2K0 000	PANEL ASSEMBLY								1		Includes No. 4 and 6
4	E22 408 142	CATCH	4	4	4	4	4	4	4	4		4 PCS/SET
5	E22 89F 067	SCREW CAP	3	3	3	3	3	3	3	3		3 PCS/SET
6	E22 7H3 010	FRONT PANEL	1	1	1	1	1	1	1	1		Not including LABELS
7	—	AIR CLEANING FILTER (ELECTROSTATIC ANTI-ALLERGY ENZYME FILTER)	2	2	2	2	2	2	2	2		2 PCS/SET MAC-2320FT
8	E22 7H3 100	AIR FILTER	2	2	2	2	2	2	2	2		1 PC/SET
9	E22 89F 975	CORNER BOX (RIGHT)	1	1	1	1	1	1	1	1		
10	E22 2F0 970	INSTALLATION PLATE	1	1	1	1	1	1	1	1		

## 1-10. ACCESSORY AND REMOTE CONTROLLER

1. The part quantity below indicates the required number of pieces per unit.

No.	Part No.	Part Name	MSZ-GX18NL - [CAT]	MSZ-GX24NL - [CAT]	MSZ-GX30NL - [CAT]	MSZ-GX36NL - [CAT]	MSY-GX18NL - [CAT]	MSY-GX24NL - [CAT]	MSY-GX30NL - [CAT]	MSY-GX36NL - [CAT]	Symbol in Wiring Diagram	Remarks
11	—	REMOTE CONTROLLER INFRARED	1	1	1	1						Refer to 2. OPTIONAL PARTS.
11	—	REMOTE CONTROLLER INFRARED					1	1	1	1		Refer to 2. OPTIONAL PARTS.

## 1-11. INDOOR UNIT HEAT EXCHANGER

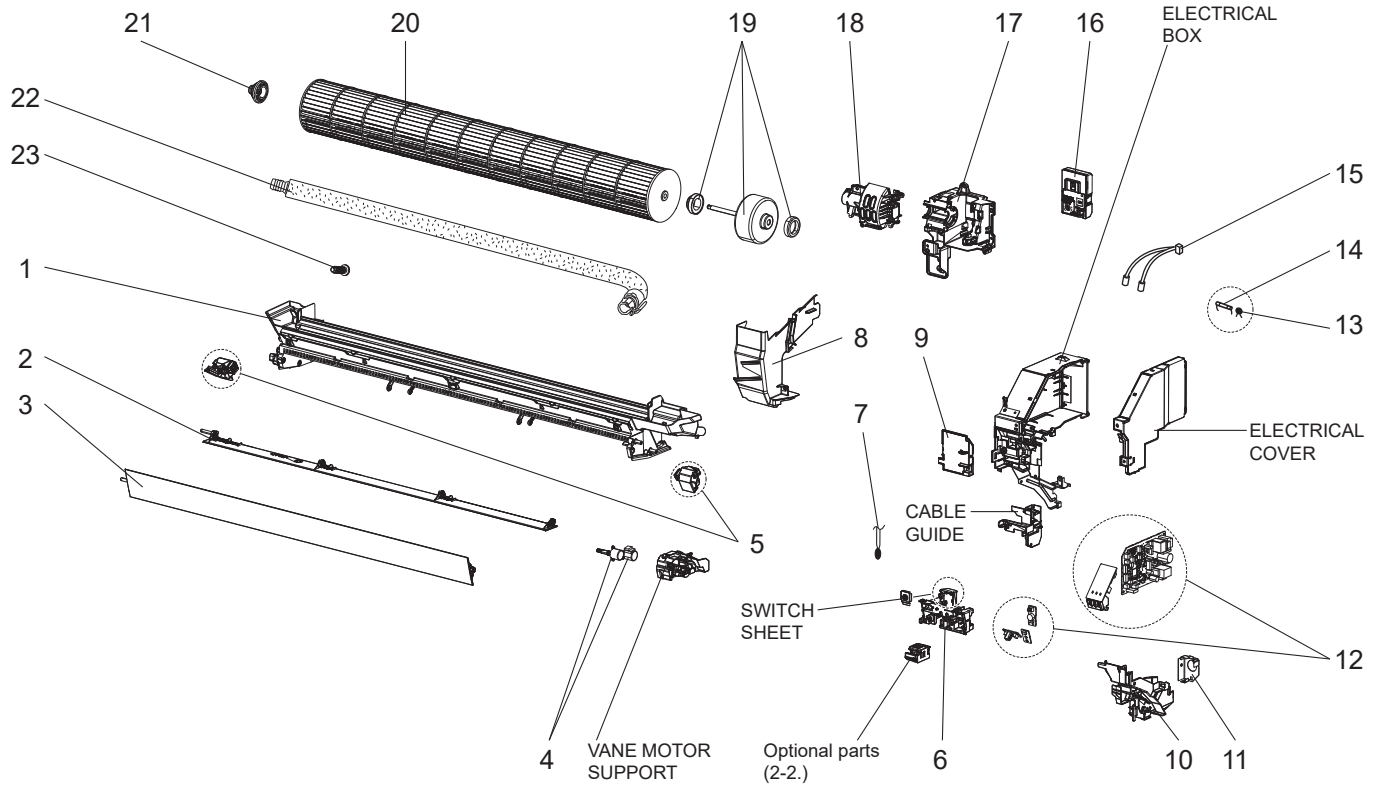
1. The part quantity below indicates the required number of pieces per unit.

No.	Part No.	Part Name	MSZ-GX18NL - [CAT]	MSZ-GX24NL - [CAT]	MSZ-GX30NL - [CAT]	MSZ-GX36NL - [CAT]	MSY-GX18NL - [CAT]	MSY-GX24NL - [CAT]	MSY-GX30NL - [CAT]	MSY-GX36NL - [CAT]	Symbol in Wiring Diagram	Remarks
12	E22 7H3 620	INDOOR HEAT EXCHANGER	1				1					
12	E22 7H4 620	INDOOR HEAT EXCHANGER		1	1	1		1	1	1		
13	E22 151 667	UNION (LIQUID)	1	1	1	1	1	1	1	1		ø1/4 (ø6.35)
14	E22 179 667	UNION (GAS)	1				1					ø1/2 (ø12.7)
14	E22 138 666	UNION (GAS)		1	1	1		1	1	1		ø5/8 (ø15.88)

MSZ-GX18NL-CA1 MSZ-GX24NL-CA1 MSZ-GX30NL-CA1 MSZ-GX36NL-CA1

MSY-GX18NL-CA1 MSY-GX24NL-CA1 MSY-GX30NL-CA1 MSY-GX36NL-CA1

### 1-12. INDOOR UNIT ELECTRICAL PARTS AND FUNCTIONAL PARTS

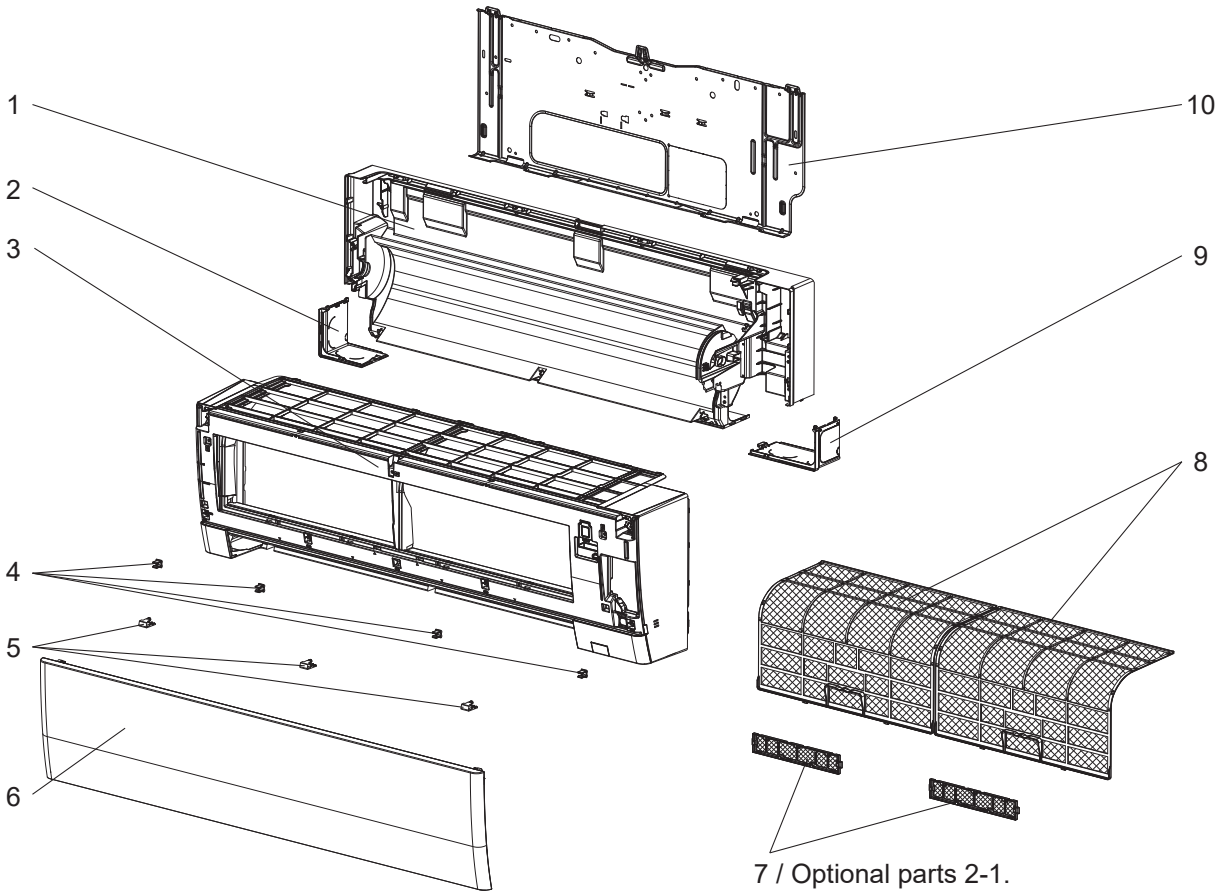


## 1-12. INDOOR UNIT ELECTRICAL PARTS AND FUNCTIONAL PARTS

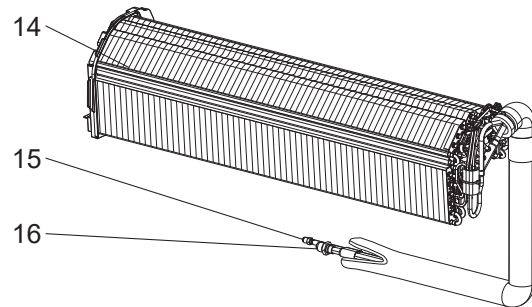
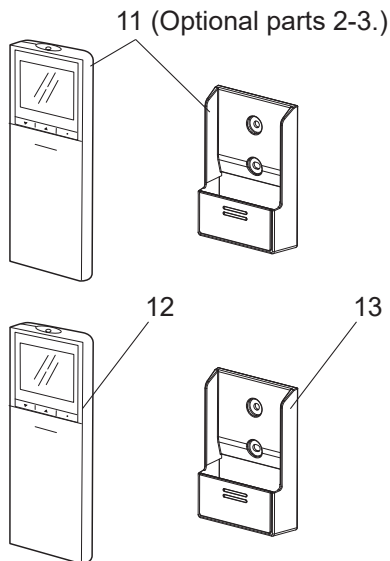
1. The part quantity below indicates the required number of pieces per unit.

No.	Part No.	Part Name	MSZ-GX18NL	MSZ-GX24NL	MSZ-GX30NL	MSZ-GX36NL	MSY-GX18NL	MSY-GX24NL	MSY-GX30NL	MSY-GX36NL	Symbol in Wiring Diagram	Remarks
			-[CAT]	-[CAT]	-[CAT]	-[CAT]	-[CAT]	-[CAT]	-[CAT]	-[CAT]		
1	E22 7H3 235	NOZZLE ASSEMBLY	1	1	1	1	1	1	1	1		Full assembly except DRAIN HOSE
2	E22 7H3 041	HORIZONTAL VANE (LOWER)	1	1	1	1	1	1	1	1		
3	E22 7H3 040	HORIZONTAL VANE (UPPER)	1	1	1	1	1	1	1	1		
4	E22 94B 303	VANE MOTOR (HORIZONTAL)	2	2	2	2	2	2	2	2	MV1, MV2	UP & DOWN
5	E22 C32 303	VANE MOTOR (VERTICAL)	2	2	2	2	2	2	2	2	MV3, MV4	RIGHT & LEFT
6	E22 7H3 095	DISPLAY AND RECEIVER P.C. BOARD HOLDER	1	1	1	1	1	1	1	1		
7	E22 45N 308	ROOM TEMPERATURE THERMISTOR	1	1	1	1	1	1	1	1	RT11	
8	E22 7H3 541	WATER CUT	1	1	1	1	1	1	1	1		
9	E22 F76 784	V.A. CLAMP	1	1	1	1	1	1	1	1		
10	E22 7H3 979	CONDUIT COVER	1	1	1	1	1	1	1	1		
11	E22 F76 978	CONDUIT PLATE	1	1	1	1	1	1	1	1		
12	E22 7H3 452	ELECTRONIC CONTROL P.C. BOARD	1									Includes TERMINAL P.C. BOARD with TB attached, SWITCH P.C. BOARD, DISPLAY P.C. BOARD and RECEIVER P.C. BOARD
12	E22 7H4 452	ELECTRONIC CONTROL P.C. BOARD		1								
12	E22 7H5 452	ELECTRONIC CONTROL P.C. BOARD			1							
12	E22 7H6 452	ELECTRONIC CONTROL P.C. BOARD				1						
12	E22 7H7 452	ELECTRONIC CONTROL P.C. BOARD					1					
12	E22 7H8 452	ELECTRONIC CONTROL P.C. BOARD						1				
12	E22 7H9 452	ELECTRONIC CONTROL P.C. BOARD							1			
12	E22 8H0 452	ELECTRONIC CONTROL P.C. BOARD								1		
13	E22 K90 385	VARISTOR	1	1	1	1	1	1	1	1	NR11	
14	E22 C67 382	FUSE	1	1	1	1	1	1	1	1	F11	T3.15AL250V
15	E22 7H3 307	INDOOR COIL THERMISTOR	1	1	1	1	1	1	1	1	RT12, RT13	
16	E22 7H3 457	WIRELESS LAN MODULE	1	1	1	1	1	1	1	1		
17	E22 5G4 333	MOTOR BED	1	1	1	1	1	1	1	1		
18	E22 7H3 333	MOTOR BAND	1	1	1	1	1	1	1	1		
19	E22 7H3 300	INDOOR FAN MOTOR	1	1	1	1	1	1	1	1	MF	RC0J56-□□ Includes FAN MOTOR RUBBER MOUNT (2 PCS/ SET)
20	E22 19A 302	LINE FLOW FAN	1	1	1	1	1	1	1	1		
21	E22 A89 509	BEARING MOUNT ASSEMBLY	1	1	1	1	1	1	1	1		Includes sleeve bearing
22	E22 T20 702	DRAIN HOSE	1	1	1	1	1	1	1	1		
23	E27 42R 705	DRAIN CAP	1	1	1	1	1	1	1	1		

**MSZ-GX18NL-CA2 MSZ-GX24NL-CA2 MSZ-GX30NL-CA2 MSZ-GX36NL-CA2**  
**MSY-GX18NL-CA2 MSY-GX24NL-CA2 MSY-GX30NL-CA2 MSY-GX36NL-CA2**  
**1-13. INDOOR UNIT STRUCTURAL PARTS**



**1-14. ACCESSORY AND REMOTE CONTROLLER 1-15. INDOOR UNIT HEAT EXCHANGER**



### 1-13. INDOOR UNIT STRUCTURAL PARTS

1. The part quantity below indicates the required number of pieces per unit.

No.	Part No.	Part Name	MSZ-GX18NL - [CA2]	MSZ-GX24NL - [CA2]	MSZ-GX30NL - [CA2]	MSZ-GX36NL - [CA2]	MSY-GX18NL - [CA2]	MSY-GX24NL - [CA2]	MSY-GX30NL - [CA2]	MSY-GX36NL - [CA2]	Symbol in Wiring Diagram	Remarks
1	E22 89F 234	BOX ASSEMBLY	1	1	1	1	1	1	1	1		Not including LABELS
2	E22 89F 976	CORNER BOX (LEFT)	1	1	1	1	1	1	1	1		
3	E22 AR1 000	PANEL ASSEMBLY	1									Includes No. 4 and 6
3	E22 AR2 000	PANEL ASSEMBLY		1								Includes No. 4 and 6
3	E22 AR3 000	PANEL ASSEMBLY			1							Includes No. 4 and 6
3	E22 AR4 000	PANEL ASSEMBLY				1						Includes No. 4 and 6
3	E22 AP1 000	PANEL ASSEMBLY					1					Includes No. 4 and 6
3	E22 AP2 000	PANEL ASSEMBLY						1				Includes No. 4 and 6
3	E22 AP3 000	PANEL ASSEMBLY							1			Includes No. 4 and 6
3	E22 AP4 000	PANEL ASSEMBLY								1		Includes No. 4 and 6
4	E22 408 142	CATCH	4	4	4	4	4	4	4	4		4 PCS/SET
5	E22 89F 067	SCREW CAP	3	3	3	3	3	3	3	3		3 PCS/SET
6	E22 7H3 010	FRONT PANEL	1	1	1	1	1	1	1	1		Not including LABELS
7	—	AIR CLEANING FILTER (ELECTROSTATIC ANTI-ALLERGY ENZYME FILTER)	2	2	2	2	2	2	2	2		2 PCS/SET MAC-2320FT
8	E22 7H3 100	AIR FILTER	2	2	2	2	2	2	2	2		1 PC/SET
9	E22 89F 975	CORNER BOX (RIGHT)	1	1	1	1	1	1	1	1		
10	E22 2F0 970	INSTALLATION PLATE	1	1	1	1	1	1	1	1		

### 1-14. ACCESSORY AND REMOTE CONTROLLER

1. The part quantity below indicates the required number of pieces per unit.

No.	Part No.	Part Name	MSZ-GX18NL - [CA2]	MSZ-GX24NL - [CA2]	MSZ-GX30NL - [CA2]	MSZ-GX36NL - [CA2]	MSY-GX18NL - [CA2]	MSY-GX24NL - [CA2]	MSY-GX30NL - [CA2]	MSY-GX36NL - [CA2]	Symbol in Wiring Diagram	Remarks
11	—	REMOTE CONTROLLER INFRARED	1	1	1	1						Refer to 2. OPTIONAL PARTS.
11	—	REMOTE CONTROLLER INFRARED					1	1	1	1		Refer to 2. OPTIONAL PARTS.
12	E22 7H3 426	REMOTE CONTROLLER INFRARED	1	1	1	1						SH24K (English)
12	E22 7H7 426	REMOTE CONTROLLER INFRARED					1	1	1	1		SH24L (English)
13	E22 41G 083	REMOTE CONTROLLER HOLDER	1	1	1	1	1	1	1	1		

### 1-15. INDOOR UNIT HEAT EXCHANGER

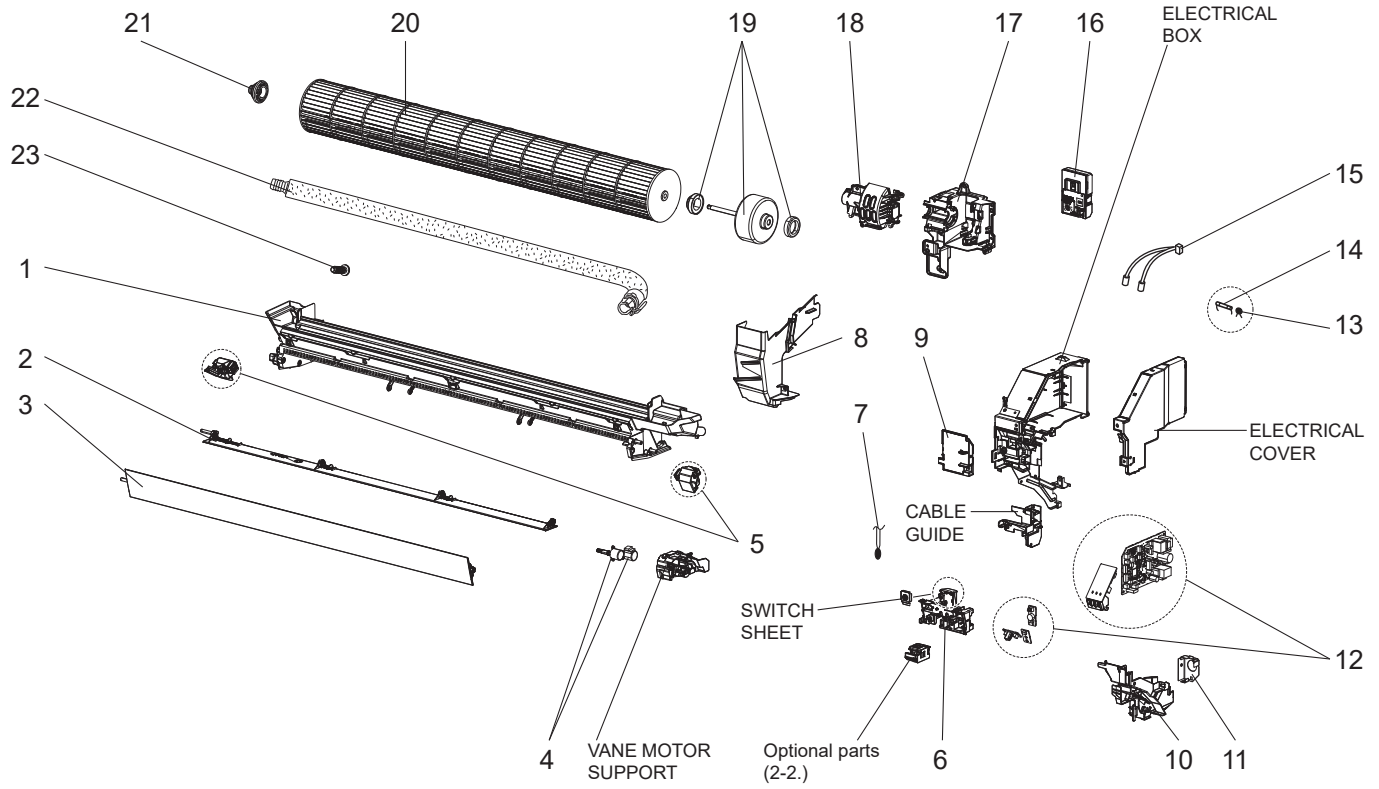
1. The part quantity below indicates the required number of pieces per unit.

No.	Part No.	Part Name	MSZ-GX18NL - [CA2]	MSZ-GX24NL - [CA2]	MSZ-GX30NL - [CA2]	MSZ-GX36NL - [CA2]	MSY-GX18NL - [CA2]	MSY-GX24NL - [CA2]	MSY-GX30NL - [CA2]	MSY-GX36NL - [CA2]	Symbol in Wiring Diagram	Remarks
14	E22 7H3 620	INDOOR HEAT EXCHANGER	1				1					
14	E22 7H4 620	INDOOR HEAT EXCHANGER		1	1	1		1	1	1		
15	E22 151 667	UNION (LIQUID)	1	1	1	1	1	1	1	1		ø1/4 (ø6.35)
16	E22 179 667	UNION (GAS)	1				1					ø1/2 (ø12.7)
16	E22 138 666	UNION (GAS)		1	1	1		1	1	1		ø5/8 (ø15.88)

MSZ-GX18NL-CA2 MSZ-GX24NL-CA2 MSZ-GX30NL-CA2 MSZ-GX36NL-CA2

MSY-GX18NL-CA2 MSY-GX24NL-CA2 MSY-GX30NL-CA2 MSY-GX36NL-CA2

### 1-16. INDOOR UNIT ELECTRICAL PARTS AND FUNCTIONAL PARTS



## 1-16. INDOOR UNIT ELECTRICAL PARTS AND FUNCTIONAL PARTS

1. The part quantity below indicates the required number of pieces per unit.

No.	Part No.	Part Name	MSZ-GX18NL	MSZ-GX24NL	MSZ-GX30NL	MSZ-GX36NL	MSY-GX18NL	MSY-GX24NL	MSY-GX30NL	MSY-GX36NL	Symbol in Wiring Diagram	Remarks
			-CA2	-CA2	-CA2	-CA2	-CA2	-CA2	-CA2	-CA2		
1	E22 7H3 235	NOZZLE ASSEMBLY	1	1	1	1	1	1	1	1		Full assembly except DRAIN HOSE
2	E22 7H3 041	HORIZONTAL VANE (LOWER)	1	1	1	1	1	1	1	1		
3	E22 7H3 040	HORIZONTAL VANE (UPPER)	1	1	1	1	1	1	1	1		
4	E22 94B 303	VANE MOTOR (HORIZONTAL)	2	2	2	2	2	2	2	2	MV1, MV2	UP & DOWN
5	E22 C32 303	VANE MOTOR (VERTICAL)	2	2	2	2	2	2	2	2	MV3, MV4	RIGHT & LEFT
6	E22 7H3 095	DISPLAY AND RECEIVER P.C. BOARD HOLDER	1	1	1	1	1	1	1	1		
7	E22 45N 308	ROOM TEMPERATURE THERMISTOR	1	1	1	1	1	1	1	1	RT11	
8	E22 7H3 541	WATER CUT	1	1	1	1	1	1	1	1		
9	E22 F76 784	V.A. CLAMP	1	1	1	1	1	1	1	1		
10	E22 7H3 979	CONDUIT COVER	1	1	1	1	1	1	1	1		
11	E22 F76 978	CONDUIT PLATE	1	1	1	1	1	1	1	1		
12	E22 AV3 452	ELECTRONIC CONTROL P.C. BOARD	1									Includes TERMINAL P.C. BOARD with TB attached, SWITCH P.C. BOARD, DISPLAY P.C. BOARD and RECEIVER P.C. BOARD
12	E22 AV4 452	ELECTRONIC CONTROL P.C. BOARD		1								
12	E22 AV5 452	ELECTRONIC CONTROL P.C. BOARD			1							
12	E22 AV6 452	ELECTRONIC CONTROL P.C. BOARD				1						
12	E22 AU2 452	ELECTRONIC CONTROL P.C. BOARD					1					
12	E22 AU3 452	ELECTRONIC CONTROL P.C. BOARD						1				
12	E22 AU4 452	ELECTRONIC CONTROL P.C. BOARD							1			
12	E22 AU5 452	ELECTRONIC CONTROL P.C. BOARD								1		
13	E22 K90 385	VARISTOR	1	1	1	1	1	1	1	1	NR11	
14	E22 C67 382	FUSE	1	1	1	1	1	1	1	1	F11	T3.15AL250V
15	E22 7H3 307	INDOOR COIL THERMISTOR	1	1	1	1	1	1	1	1	RT12, RT13	
16	E22 AV3 457	WIRELESS LAN MODULE	1	1	1	1	1	1	1	1		
17	E22 19A 333	MOTOR BED	1	1	1	1	1	1	1	1		
18	E22 7H3 333	MOTOR BAND	1	1	1	1	1	1	1	1		
19	E22 7H3 300	INDOOR FAN MOTOR	1	1	1	1	1	1	1	1	MF	RC0J56-□□ Includes FAN MOTOR RUBBER MOUNT (2 PCS/ SET)
20	E22 19A 302	LINE FLOW FAN	1	1	1	1	1	1	1	1		
21	E22 A89 509	BEARING MOUNT ASSEMBLY	1	1	1	1	1	1	1	1		Includes sleeve bearing
22	E22 T20 702	DRAIN HOSE	1	1	1	1	1	1	1	1		
23	E27 42R 705	DRAIN CAP	1	1	1	1	1	1	1	1		

## 1-17. AIR CLEANING FILTER (ELECTROSTATIC ANTI-ALLERGY ENZYME FILTER)

Every 3 months:

- Remove dirt by a vacuum cleaner.

**When dirt cannot be removed by vacuum cleaning:**

- Soak the filter and its frame in lukewarm water before rinsing it.
- After washing, dry it well in shade.

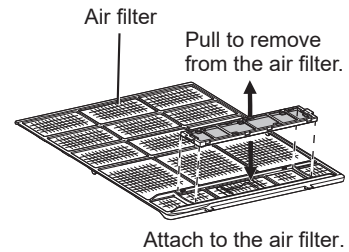
Every year:

- Replace it with a new air cleaning filter for best performance.

**NOTE 1:** Clean the filters regularly for best performance and to reduce power consumption.

**NOTE 2:** Dirty filters cause condensation in the air conditioner which will contribute to the growth of fungi such as mold. It is therefore recommended to clean air filters every 2 weeks.

Model		Part No.
MSZ-GX06NL	MSY-GX09NL	MAC-2320FT
MSZ-GX09NL	MSY-GX12NL	
MSZ-GX12NL	MSY-GX15NL	
MSZ-GX15NL	MSY-GX18NL	
MSZ-GX18NL	MSY-GX24NL	
MSZ-GX24NL	MSY-GX30NL	
MSZ-GX30NL	MSY-GX36NL	
MSZ-GX36NL		



## 2-1. AIR CLEANING FILTER (MICROPARTICLE CATCHING FILTER, OPTION)

Removes the microparticles from the air by means of static electricity.

**Back side of air filter**

**Clean every 3 months:**

- Remove dirt by a vacuum cleaner.
- Put it back to its original position, and install all tabs of the air cleaning filter.
- Do not wash it with water. Replace it with a new air cleaning filter when tobacco tar or oil stains adhere to it.

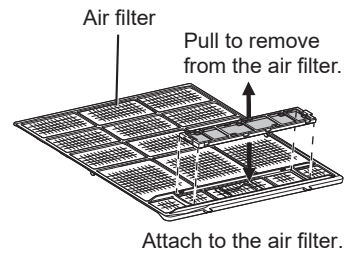
**Every 3 year:**

- Replace it with a new air cleaning filter for best performance.

**NOTE 1:** Clean the filters regularly for best performance and to reduce power consumption.

**NOTE 2:** Dirty filters cause condensation in the air conditioner which will contribute to the growth of fungi such as mold. It is therefore recommended to clean air filters every 2 weeks.

Model	Part No.
MSZ-GX06NL MSY-GX09NL	MAC-EMF515FT-E
MSZ-GX09NL MSY-GX12NL	
MSZ-GX12NL MSY-GX15NL	
MSZ-GX15NL MSY-GX18NL	
MSZ-GX18NL MSY-GX24NL	
MSZ-GX24NL MSY-GX30NL	
MSZ-GX30NL MSY-GX36NL	
MSZ-GX36NL	



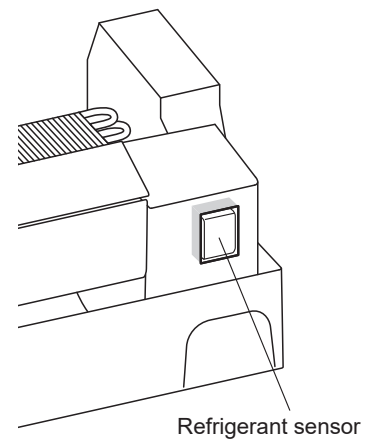
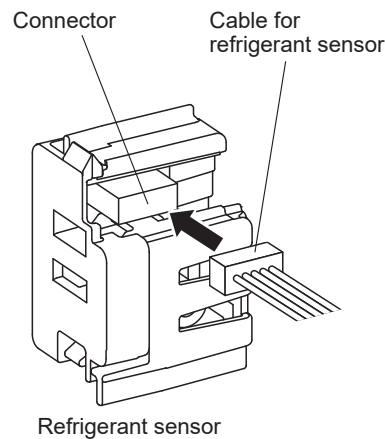
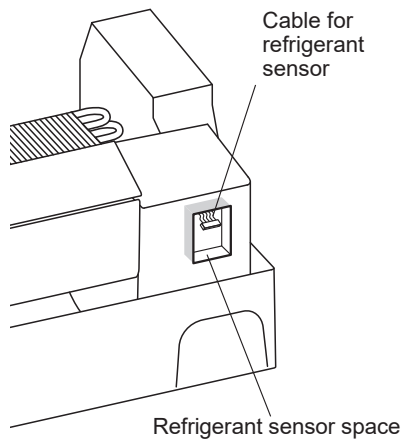
## 2-2. REFRIGERANT SENSOR

When connecting or disconnecting the connectors, hold the housing of the connector. DO NOT pull the lead wires.

When replacing the existing refrigerant sensor, refer to the service handbook of the model.

For the detailed assembling method, refer to the indoor unit installation manual.

- (1) Remove the panel.
- (2) Find the cable for the refrigerant sensor on lower right corner of the unit.
- (3) Connect the cable to the refrigerant sensor connector.
- (4) Put in the refrigerant sensor to the refrigerant sensor space.
- (5) Close the panel.

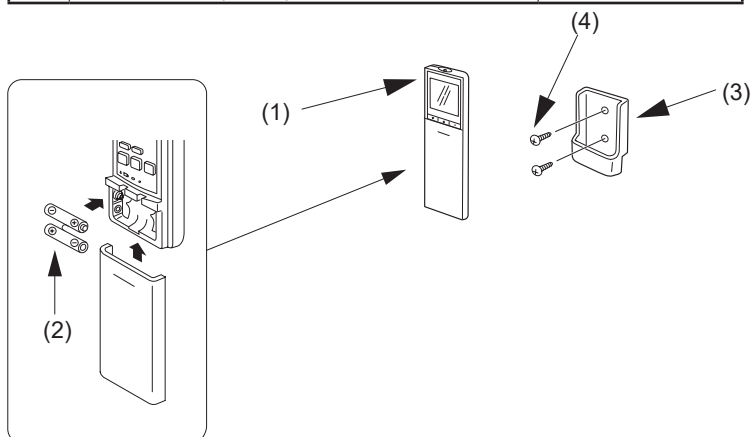


Model	Part No.
MSZ-GX06NL	MAC-100RS-E
MSZ-GX09NL	
MSZ-GX12NL	
MSZ-GX15NL	
MSZ-GX18NL	
MSZ-GX24NL	

## 2-3. REMOTE CONTROLLER

Model	Part No.	
	English	French
MSZ-GX06NL-CA1 MSZ-GX09NL-CA1 MSZ-GX12NL-CA1 MSZ-GX15NL-CA1	SH24H MAC-FL111M-E	SH24AC MAC-FL211M-E
MSZ-GX18NL-CA1 MSZ-GX24NL-CA1 MSZ-GX30NL-CA1 MSZ-GX36NL-CA1	SH24K MAC-FL112M-E	SH24AE MAC-FL212M-E
MSY-GX09NL-CA1 MSY-GX12NL-CA1 MSY-GX15NL-CA1	SH24J MAC-FL113M-E	SH24AD MAC-FL213M-E
MSY-GX18NL-CA1 MSY-GX24NL-CA1 MSY-GX30NL-CA1 MSY-GX36NL-CA1	SH24L MAC-FL114M-E	SH24AF MAC-FL214M-E
MSZ-GX06NL-CA2 MSZ-GX09NL-CA2 MSZ-GX12NL-CA2 MSZ-GX15NL-CA2	-	SH24AC MAC-FL211M-E
MSZ-GX18NL-CA2 MSZ-GX24NL-CA2 MSZ-GX30NL-CA2 MSZ-GX36NL-CA2	-	SH24AE MAC-FL212M-E
MSY-GX09NL-CA2 MSY-GX12NL-CA2 MSY-GX15NL-CA2	-	SH24AD MAC-FL213M-E
MSY-GX18NL-CA2 MSY-GX24NL-CA2 MSY-GX30NL-CA2 MSY-GX36NL-CA2	-	SH24AF MAC-FL214M-E

No.	Part Name	Quantity
(1)	Wireless remote controller	1
(2)	Battery (AAA) for (1)	2
(3)	Remote controller holder	1
(4)	Screws for the remote controller holder (3) 3.5 × 16 mm (Black)	2



# **MITSUBISHI ELECTRIC CORPORATION**

HEAD OFFICE: TOKYO BUILDING, 2-7-3, MARUNOUCHI, CHIYODA-KU, TOKYO 100-8310, JAPAN

© Copyright 2025 MITSUBISHI ELECTRIC CORPORATION

Issued: Apr. 2026 No. OBB963 REVISED EDITION-B

Issued: Apr. 2025 No. OBB963 REVISED EDITION-A

Published: Feb. 2025 No. OBB963

Made in Japan

Specifications subject to change without notice.