

PARTS CATALOG

**[Model Name]
<Branch box>**

PAC-MKA33BC

PAC-MKA53BC

[Service Ref.]

PAC-MKA33BC

PAC-MKA53BC

Revision:

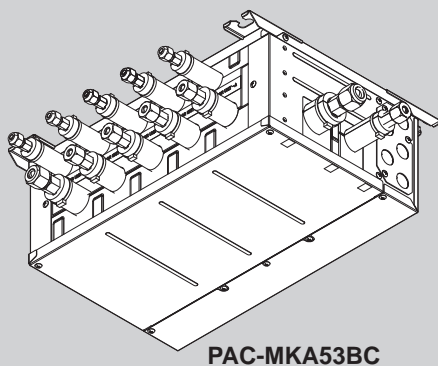
- Parts numbers have been revised in REVISED EDITION-A.

OCB801 is void.

CONTENTS

- | | |
|----------------------------|---|
| 1. SERVICE PARTS LIST..... | 2 |
| 2. OPTIONAL PARTS..... | 4 |

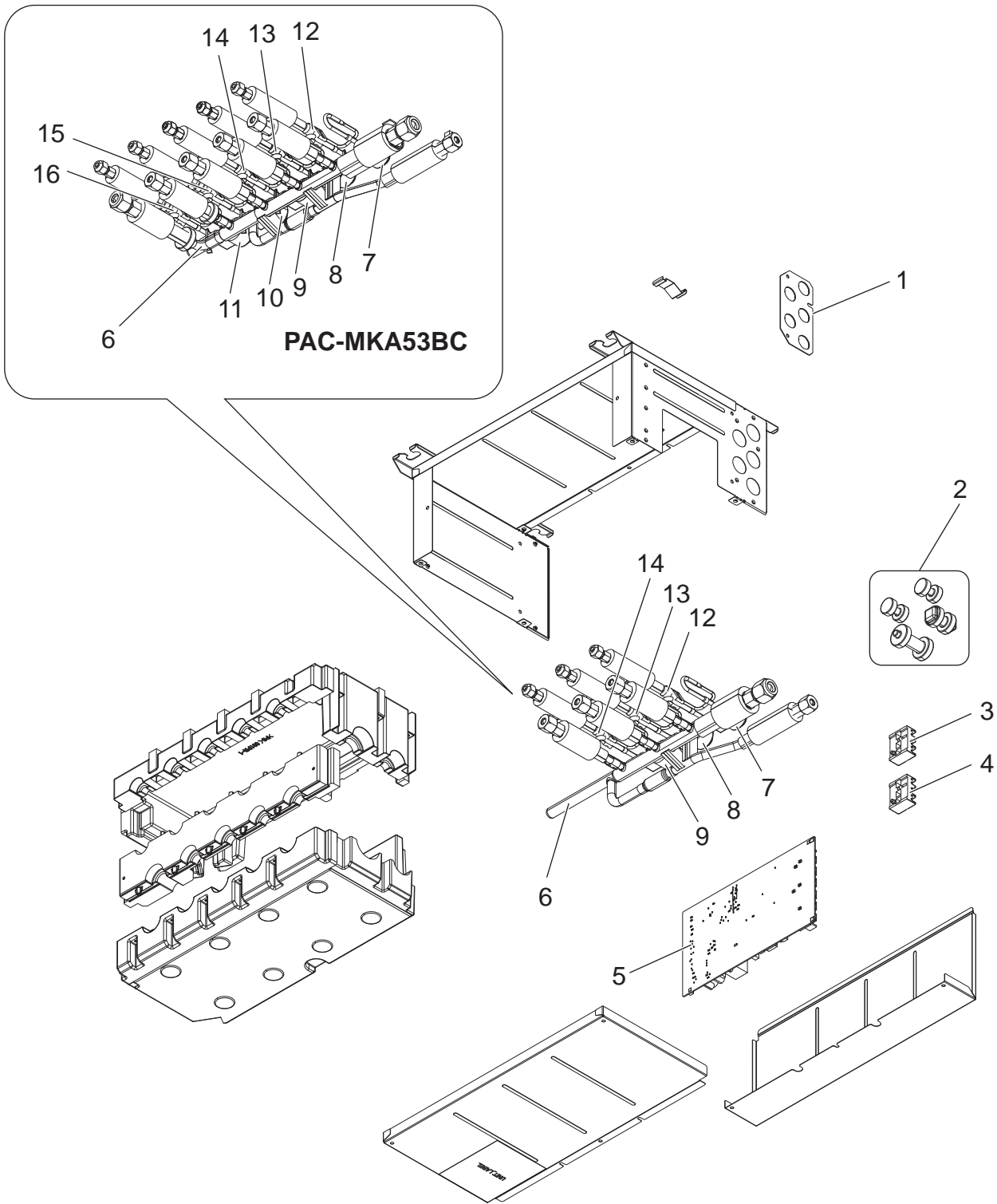
SERVICE MANUAL (OCH801)



PAC-MKA53BC

BRANCH BOX

PAC-MKA33BC PAC-MKA53BC



1. The part quantity below indicates the required number of pieces per unit.
2. The circled No. indicates that the part is not shown in the figure.

No.	Parts No.	Parts Name	PAC-MKA33BC	PAC-MKA53BC	Wiring Diagram Symbol	Remarks
1	T7W E06 617	CONDUIT PLATE	1	1		
2	T7W E04 124	BUSH SET	1			
3	T7W E77 716	T.B./M1.M2.S	1	1	TB5	3P (M1, M2, S)
4	T7W E79 716	T.B./L1.L2	1	1	TB2B	2P (L1, L2)
5	T7W F37 310	CONTROLLER BOARD	1		B.C.	
5	T7W F36 310	CONTROLLER BOARD		1	B.C.	
6	T7W F07 401	LEV ASSY MKA32BC	1			Includes coils
6	T7W F08 401	LEV ASSY MKA52BC		1		Includes coils
7	T7W E73 242	COIL(LEV)/XAP-5P WH	1	1	LEV-A (WHITE)	
8	R01 H38 242	COIL(LEV)/XAP-5P RED	1	1	LEV-B (RED)	
9	T7W E80 242	COIL(LEV)/XAP-5P BLU	1	1	LEV-C (BLUE)	
10	T7W E76 242	COIL(LEV)/XAP-5P BLK		1	LEV-D (BLACK)	
11	T7W E77 242	COIL(LEV)/XAP-5P GRN		1	LEV-E (GREEN)	
12	T7W E66 202	THERMISTOR-A	1	1	TH-A (WHITE)	
13	T7W E67 202	THERMISTOR-B	1	1	TH-B (RED)	
14	T7W E68 202	THERMISTOR-C	1	1	TH-C (BLUE)	
15	T7W E69 202	THERMISTOR-D		1	TH-D (BLACK)	
16	T7W E70 202	THERMISTOR-E		1	TH-E (GREEN)	
17	T7W H18 392	LEAD WIRE SET	1	1		
18	R01 E09 660	PIPE COVER SET	1	1		STEM
19	R01 E08 660	PIPE COVER SET	1	1		BRANCH

2

OPTIONAL PARTS

2-1. FOR OUTDOOR UNIT

2-BRANCH PIPE (Joint) (In case of using 2-branch boxes)

Parts No.	Connection method
MSDD-50AR-E	flare
MSDD-50BR-E	brazing

Note: Select a joint according to the connection method.

2-2. FOR BRANCH BOX

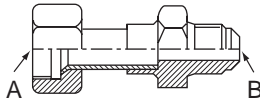
Different-diameter joint (Flare type)

Part No.	Connected pipes diameter	Diameter A	Diameter B
	mm	mm	mm
MAC-A454JP-E	ø9.52 → ø12.7	ø9.52	ø12.7
MAC-A455JP-E	ø12.7 → ø9.52	ø12.7	ø9.52
MAC-A456JP-E	ø12.7 → ø15.88	ø12.7	ø15.88
PAC-493PI	ø6.35 → ø9.52	ø6.35	ø9.52
PAC-SG76RJ-E	ø9.52 → ø15.88	ø9.52	ø15.88
PAC-SG75RJ-E	ø15.88 → ø19.05	ø15.88	ø19.05
PAC-SG71RJ-E	ø15.88 → ø22.2	ø15.88	ø22.2*

<Reference>
Conversion formula

1/4 in	ø6.35 mm
3/8 in	ø9.52 mm
1/2 in	ø12.7 mm
5/8 in	ø15.88 mm
3/4 in	ø19.05 mm
7/8 in	ø22.2 mm

*Brazing



MITSUBISHI ELECTRIC CORPORATION

HEAD OFFICE: TOKYO BUILDING, 2-7-3, MARUNOUCHI, CHIYODA-KU, TOKYO 100-8310, JAPAN