

SERVICE PARTS LIST FOR MITSUBISHI ELECTRIC PACKAGED AIR-CONDITIONERS

Series : PEFY-P•NMAU-E2

REVISED

Dec. 2022

BWE1205C

INDEX

PEFY-P06NMAU-E2

PEFY-P08NMAU-E2

PEFY-P12NMAU-E2

PEFY-P15NMAU-E2

PEFY-P18NMAU-E2

PEFY-P24NMAU-E2

PEFY-P27NMAU-E2

PEFY-P30NMAU-E2

PEFY-P36NMAU-E2

PEFY-P48NMAU-E2

PEFY-P54NMAU-E2

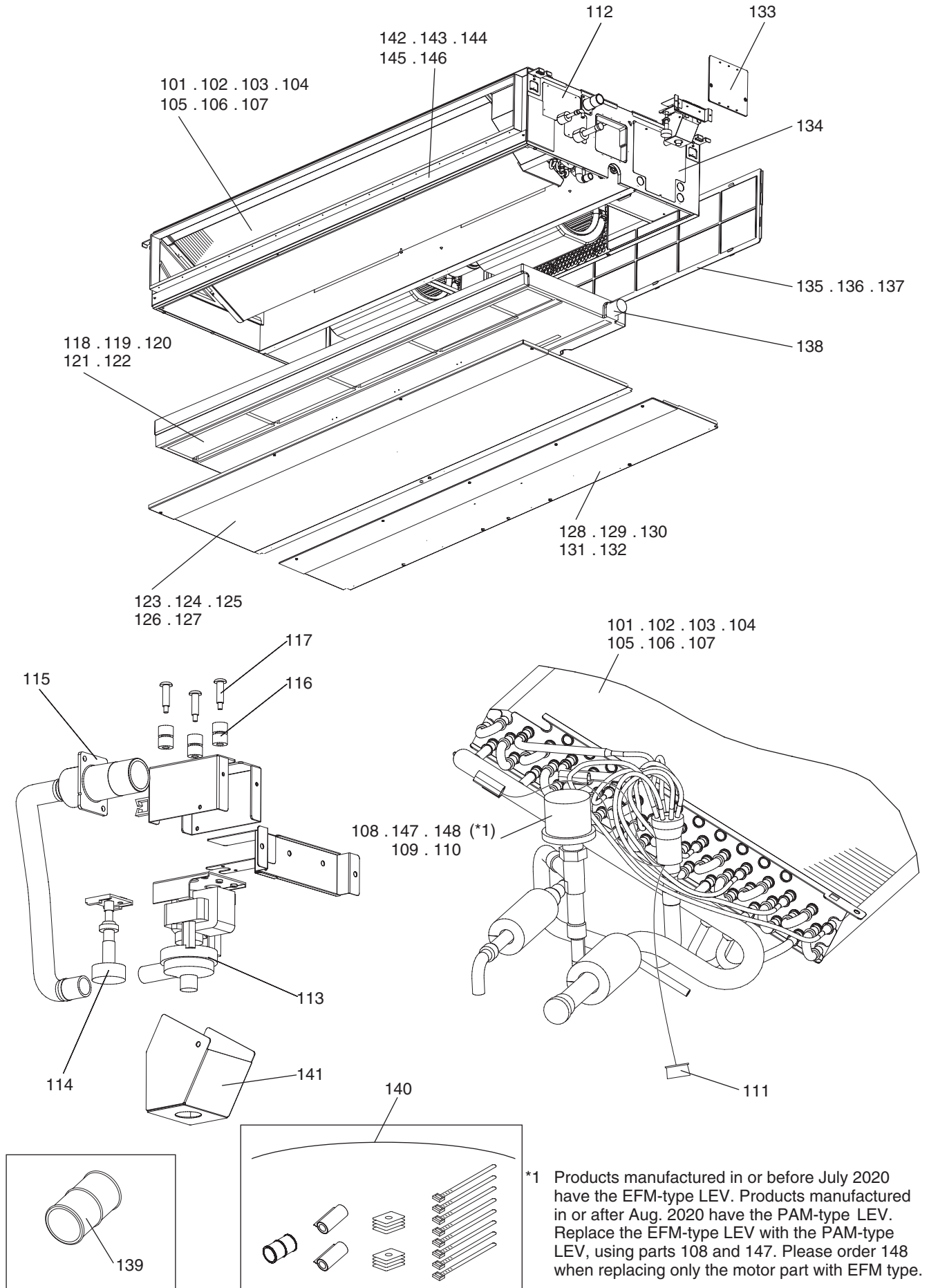
Part information update day : 2022/11/24

Please change the old catalog (issued Aug. 2020, No.BWE1205B) to this new catalog.
Content of revision : Some of parts are changed.



PEFY-P06,P08,P12,P15,P18NMAU-E2
 PEFY-P24,P27,P30,P36,P48,P54NMAU-E2

EXTERNAL PARTS



PEFY-P06,P08,P12,P15,P18NMAU-E2
PEFY-P24,P27,P30,P36,P48,P54NMAU-E2

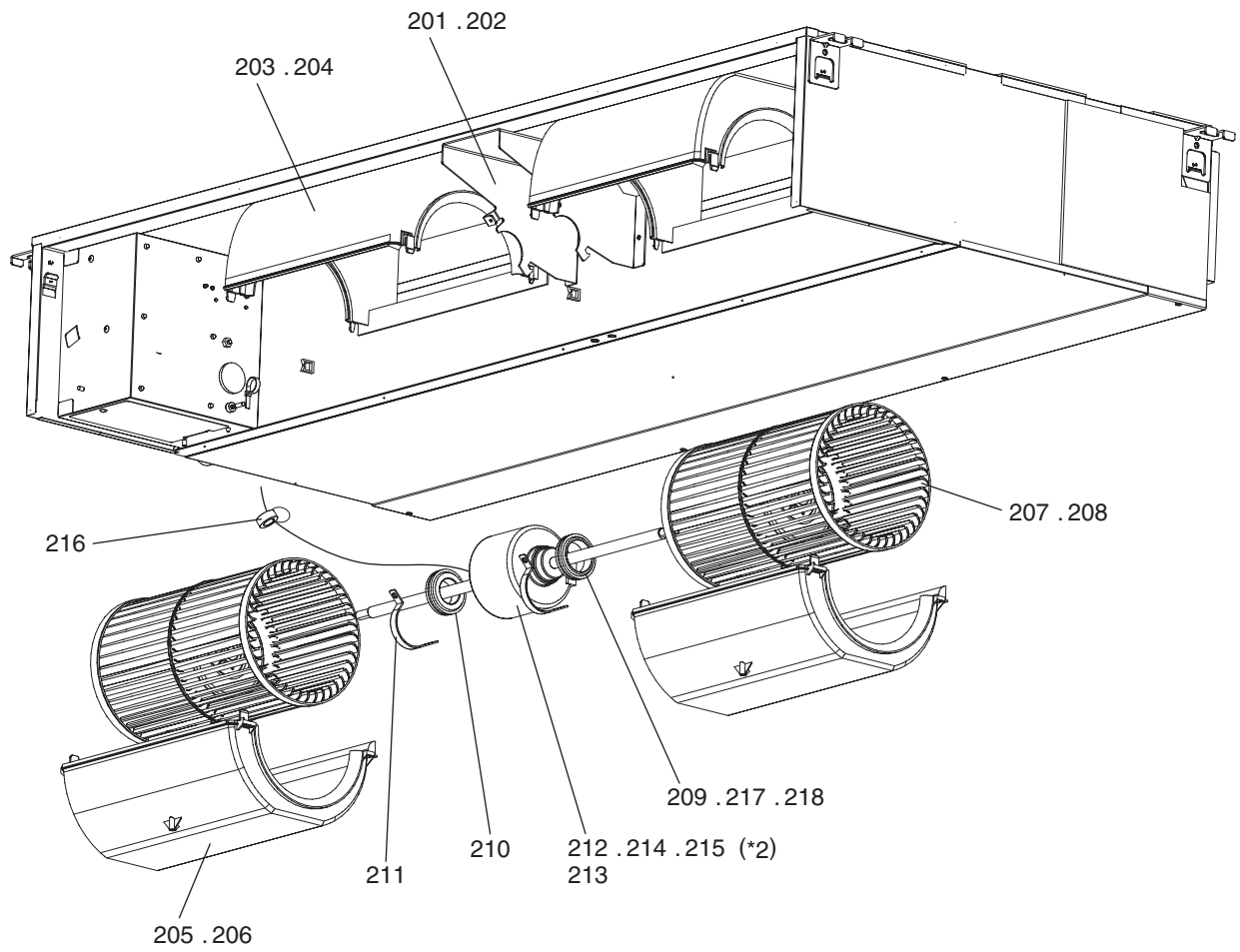
EXTERNAL PARTS

No.	Part No.	Part Name	Spec.	PEFY-P06NMAU-E2	PEFY-P08NMAU-E2	PEFY-P12NMAU-E2	PEFY-P15NMAU-E2	PEFY-P18NMAU-E2	PEFY-P24NMAU-E2	Dwg. No.	Notes for the models	Revision info.
101	R61 328 480	Heat exchanger		1	1					KB00A207G34		Chg.
102	R61 329 480	Heat exchanger				1				KB00A207G35		Chg.
103	R61 330 480	Heat exchanger					1	1		KB00A207G36		Chg.
104	R61 331 480	Heat exchanger							1	KB00A208G58		Chg.
105	R61 332 480	Heat exchanger								KB00A208G55		Chg.
106	R61 333 480	Heat exchanger								KB00A208G56		Chg.
107	R61 334 480	Heat exchanger								KB00A208G54		Chg.
108	R61 047 401	LEV 4	PAM-B40YGMD-1	1	1	1	1	1	1	P632538X01	*1	
109	R61 101 401	LEV 8	EFM-80YGMD-111							KR50B234H01		
110	R61 029 401	LEV 10	#EFM-A0YGMD-6							KB50B943H01		
111	R61 100 200	Thermistor		1	1	1	1	1	1	KB71B945H03		
112	R61 066 690	Cover pipe assy		1	1	1	1	1	1	KB00M203G03		
113	R61 011 539	Pump	PLD	1	1	1	1	1	1	KB56B953H03		
114	R61 022 541	Float switch	#S3004-2-2	1	1	1	1	1	1	KB00M201G01		
115	R61 004 218	Socket assy		1	1	1	1	1	1	KB00R308G08		Chg.
116	R61 018 104	Cushion		3	3	3	3	3	3	DB26F013L01		
117	R61 002 019	Screw special	M4 x 6	3	3	3	3	3	3	Y112J017H05		
118	R61 056 529	Drain pan assy	P06	1	1	1				KB00T352G11		
119	R61 057 529	Drain pan assy	P15				1	1		KB00T352G12		
120	R61 058 529	Drain pan assy	P24						1	KB00T352G13		
121	R61 059 529	Drain pan assy	P36							KB00T352G14		
122	R61 060 529	Drain pan assy	P54							KB00T352G15		
123	R61 130 651	Panel UD1 assy	P20	1	1	1				KB00R305G01		
124	R61 131 651	Panel UD1 assy	P40				1	1		KB00R305G02		
125	R61 132 651	Panel UD1 assy	P63						1	KB00R305G03		
126	R61 133 651	Panel UD1 assy	P100							KB00R305G11		
127	R61 134 651	Panel UD1 assy	P140							KB00R305G12		
128	R61 135 651	Panel UD2 assy	P20	1	1	1				KB00R306G11		
129	R61 136 651	Panel UD2 assy	P40				1	1		KB00R306G12		
130	R61 137 651	Panel UD2 assy	P63						1	KB00R306G13		
131	R61 138 651	Panel UD2 assy	P100							KB00R306G14		
132	R61 139 651	Panel UD2 assy	P140							KB00R306G15		
133	R61 067 690	Cover assy		1	1	1	1	1	1	KB00M197G07		
134	R61 068 690	Cover box assy		1	1	1	1	1	1	KB00T337G01		
135	R61 011 500	Filter	550						2	KD35J684G01		
136	R61 012 500	Filter	700	1	1	1				KD35J685G01		
137	R61 015 500	Filter	900				1	1		KD35J686G01		
138	R61 E96 558	Plug	RUBBER	2	2	2	2	2	2	P312040X02		Chg.
139	R61 005 218	Socket		1	1	1	1	1	1	BB25D449K01		
140	R61 003 619	Accessory assy		1	1	1	1	1	1	KB00P228G04		
141	R61 091 668	Pump cover bottom		1	1	1	1	1	1	KB02R934H02		
142	R61 038 457	Flange out assy		1	1	1				KB00R312G21		
143	R61 070 457	Flange out assy					1	1		KB00R312G22		
144	R61 039 457	Flange out assy							1	KB00R312G23		
145	R61 031 457	Flange out assy								KB00R312G24		

PEFY-P06,P08,P12,P15,P18NMAU-E2
PEFY-P24,P27,P30,P36,P48,P54NMAU-E2

EXTERNAL PARTS

No.	Part No.	Part Name	Spec.	PEFY-P27NMAU-E2	PEFY-P30NMAU-E2	PEFY-P36NMAU-E2	PEFY-P48NMAU-E2	PEFY-P54NMAU-E2	Dwg. No.	Notes for the models	Revision info.
101	R61 328 480	Heat exchanger							KB00A207G34		Chg.
102	R61 329 480	Heat exchanger							KB00A207G35		Chg.
103	R61 330 480	Heat exchanger							KB00A207G36		Chg.
104	R61 331 480	Heat exchanger							KB00A208G58		Chg.
105	R61 332 480	Heat exchanger		1	1				KB00A208G55		Chg.
106	R61 333 480	Heat exchanger				1	1		KB00A208G56		Chg.
107	R61 334 480	Heat exchanger						1	KB00A208G54		Chg.
108	R61 047 401	LEV 4	PAM-B40YGMD-1						P632538X01	*1	
109	R61 101 401	LEV 8	EFM-80YGMD-111	1	1	1	1		KR50B234H01		
110	R61 029 401	LEV 10	#EFM-A0YGMD-6					1	KB50B943H01		
111	R61 100 200	Thermistor		1	1	1	1	1	KB71B945H03		
112	R61 066 690	Cover pipe assy		1	1	1	1	1	KB00M203G03		
113	R61 011 539	Pump	PLD	1	1	1	1	1	KB56B953H03		
114	R61 022 541	Float switch	#S3004-2-2	1	1	1	1	1	KB00M201G01		
115	R61 004 218	Socket assy		1	1	1	1	1	KB00R308G08		Chg.
116	R61 018 104	Cushion		3	3	3	3	3	DB26F013L01		
117	R61 002 019	Screw special	M4 x 6	3	3	3	3	3	Y112J017H05		
118	R61 056 529	Drain pan assy	P06						KB00T352G11		
119	R61 057 529	Drain pan assy	P15						KB00T352G12		
120	R61 058 529	Drain pan assy	P24	1	1				KB00T352G13		
121	R61 059 529	Drain pan assy	P36			1	1		KB00T352G14		
122	R61 060 529	Drain pan assy	P54					1	KB00T352G15		
123	R61 130 651	Panel UD1 assy	P20						KB00R305G01		
124	R61 131 651	Panel UD1 assy	P40						KB00R305G02		
125	R61 132 651	Panel UD1 assy	P63	1	1				KB00R305G03		
126	R61 133 651	Panel UD1 assy	P100			1	1		KB00R305G11		
127	R61 134 651	Panel UD1 assy	P140					1	KB00R305G12		
128	R61 135 651	Panel UD2 assy	P20						KB00R306G11		
129	R61 136 651	Panel UD2 assy	P40						KB00R306G12		
130	R61 137 651	Panel UD2 assy	P63	1	1				KB00R306G13		
131	R61 138 651	Panel UD2 assy	P100			1	1		KB00R306G14		
132	R61 139 651	Panel UD2 assy	P140					1	KB00R306G15		
133	R61 067 690	Cover assy		1	1	1	1	1	KB00M197G07		
134	R61 068 690	Cover box assy		1	1	1	1	1	KB00T337G01		
135	R61 011 500	Filter	550	2	2				KD35J684G01		
136	R61 012 500	Filter	700			2	2	1	KD35J685G01		
137	R61 015 500	Filter	900					1	KD35J686G01		
138	R61 E96 558	Plug	RUBBER	2	2	2	2	2	P312040X02		Chg.
139	R61 005 218	Socket		1	1	1	1	1	BB25D449K01		
140	R61 003 619	Accessory assy		1	1	1	1	1	KB00P228G04		
141	R61 091 668	Pump cover bottom		1	1	1	1	1	KB02R934H02		
142	R61 038 457	Flange out assy							KB00R312G21		
143	R61 070 457	Flange out assy							KB00R312G22		
144	R61 039 457	Flange out assy		1	1				KB00R312G23		
145	R61 031 457	Flange out assy				1	1		KB00R312G24		



*2 Motor (Parts No.212, 214, and 215) comes with rubber mounts.

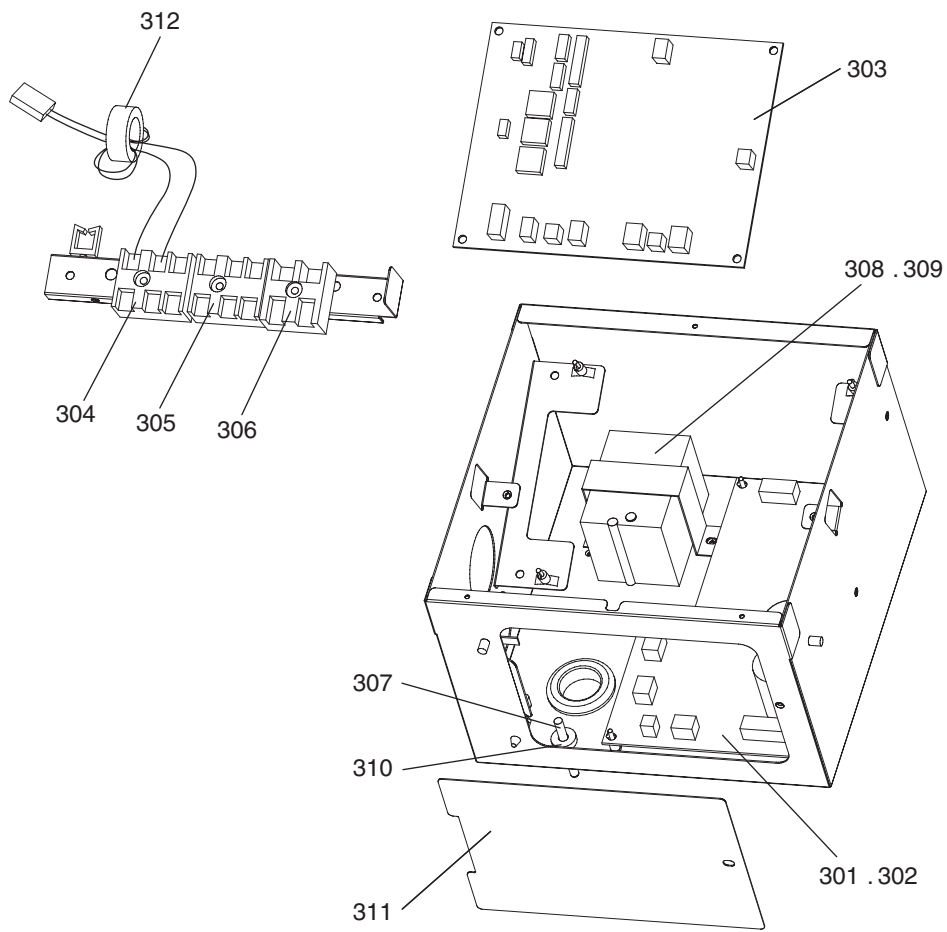
PEFY-P06,P08,P12,P15,P18NMAU-E2 BLOWER PARTS
PEFY-P24,P27,P30,P36,P48,P54NMAU-E2

No.	Part No.	Part Name	Spec.	PEFY-P06NMAU-E2	PEFY-P08NMAU-E2	PEFY-P12NMAU-E2	PEFY-P15NMAU-E2	PEFY-P18NMAU-E2	PEFY-P24NMAU-E2	Dwg. No.	Notes for the models	Revision info.
201	R61 023 128	Motor base	P20	1	1	1	1	1	1	KB02B861H03		
202	R61 024 128	Motor base	P100							KB02B862H03		
203	R61 012 129	Fan case U		1	1	1			2	KB25A145H03		
204	R61 007 129	Fan case U					1	1		KB25A144H02		
205	R61 013 129	Fan case L		1	1	1			2	KB25A147H03		
206	R61 009 129	Fan case L					1	1		KD00T025G02		
207	R61 007 114	Sirocco fan assy	200	1	1	1			2	KJ00G856G03		
208	R61 008 114	Sirocco fan assy	320				1	1		KJ00G857G02		
209	R61 001 505	Rubber mount L					1	1		KB31D833H01		
210	R61 002 505	Rubber mount R					1	1		KB31D833H02		
211	R63 652 131	Attachment		2	2	2	2	2	2	W353715H01		
212	R61 400 220	Motor	P20	1	1	1				KB00C2HGG01	*2 Includes rubber mounts	
213	R61 163 220	Motor	P40				1	1		KB61B961H06		
214	R61 401 220	Motor	P63						1	KB00C2HGG02	*2 Includes rubber mounts	
215	R61 402 220	Motor	P100							KB00C2HGG03	*2 Includes rubber mounts	
216	R61 001 015	Clamp ferrite								KP65F165H01		
217	R61 037 104	Rubber mount		1	1	1			1	KB00C2HHG01		
218	R61 038 104	Rubber mount								KB00C2HHG02		

PEFY-P06,P08,P12,P15,P18NMAU-E2
 PEFY-P24,P27,P30,P36,P48,P54NMAU-E2

BLOWER PARTS

No.	Part No.	Part Name	Spec.	PEFY-P27NMAU-E2	PEFY-P30NMAU-E2	PEFY-P36NMAU-E2	PEFY-P48NMAU-E2	PEFY-P54NMAU-E2	Dwg. No.	Notes for the models	Revision info.
201	R61 023 128	Motor base	P20	1	1				KB02B861H03		
202	R61 024 128	Motor base	P100			1	1	1	KB02B862H03		
203	R61 012 129	Fan case U		2	2				KB25A145H03		
204	R61 007 129	Fan case U				2	2	2	KB25A144H02		
205	R61 013 129	Fan case L		2	2				KB25A147H03		
206	R61 009 129	Fan case L				2	2	2	KD00T025G02		
207	R61 007 114	Sirocco fan assy	200	2	2				KJ00G856G03		
208	R61 008 114	Sirocco fan assy	320			2	2	2	KJ00G857G02		
209	R61 001 505	Rubber mount L							KB31D833H01		
210	R61 002 505	Rubber mount R							KB31D833H02		
211	R63 652 131	Attachment		2	2	2	2	2	W353715H01		
212	R61 400 220	Motor	P20						KB00C2HGG01	*2 Includes rubber mounts	
213	R61 163 220	Motor	P40						KB61B961H06		
214	R61 401 220	Motor	P63	1	1				KB00C2HGG02	*2 Includes rubber mounts	
215	R61 402 220	Motor	P100			1	1	1	KB00C2HGG03	*2 Includes rubber mounts	
216	R61 001 015	Clamp ferrite				1	1	1	KP65F165H01		
217	R61 037 104	Rubber mount		1	1				KB00C2HHG01		
218	R61 038 104	Rubber mount				1	1	1	KB00C2HHG02		



PEFY-P06,P08,P12,P15,P18NMAU-E2 CONTROL BOX PARTS
PEFY-P24,P27,P30,P36,P48,P54NMAU-E2

No.	Part No.	Part Name	Spec.	PEFY-P06NMAU-E2	PEFY-P08NMAU-E2	PEFY-P12NMAU-E2	PEFY-P15NMAU-E2	PEFY-P18NMAU-E2	PEFY-P24NMAU-E2	Dwg. No.	Notes for the models	Revision info.
301	R63 124 280	PCA board	PW 3A	1	1	1	1	1	1	KE80C349G03		
302	R63 125 280	PCA board	PW 5A							KE80C349G04		
303	R61 177 280	PCA board	INDOOR CONTROL	1	1	1	1	1	1	KE80C349G11		
304	R61 021 246	Terminal block assy		1	1	1	1	1	1	BH00C267G05		
305	R61 022 246	Terminal block assy		1	1	1	1	1	1	BH00C267G04		
306	R61 023 246	Terminal block		1	1	1	1	1	1	BH73L021H01		
307	R61 103 200	Thermistor-S	250XAP	1	1	1	1	1	1	RG71J628H01		
308	R61 018 259	Reactor	3A3	1	1	1	1	1	1	KE65D486H02		
309	R61 019 259	Reactor	3A6							KE65D487H01		
310	R63 003 104	Cord bush		1	1	1	1	1	1	P695114X01		
311	R61 069 690	Box under cover		1	1	1	1	1	1	KB02K887H02		
312	R61 002 015	Clamp ferrite fob		1	1	1	1	1	1	KE65D273H01		

mitsubishi
electric
corporation

BWE1205C (20221231)