

SERVICE PARTS LIST FOR MITSUBISHI ELECTRIC PACKAGED AIR-CONDITIONERS

Series : PEFY-P•NMHSU-E

REVISED

Aug. 2019

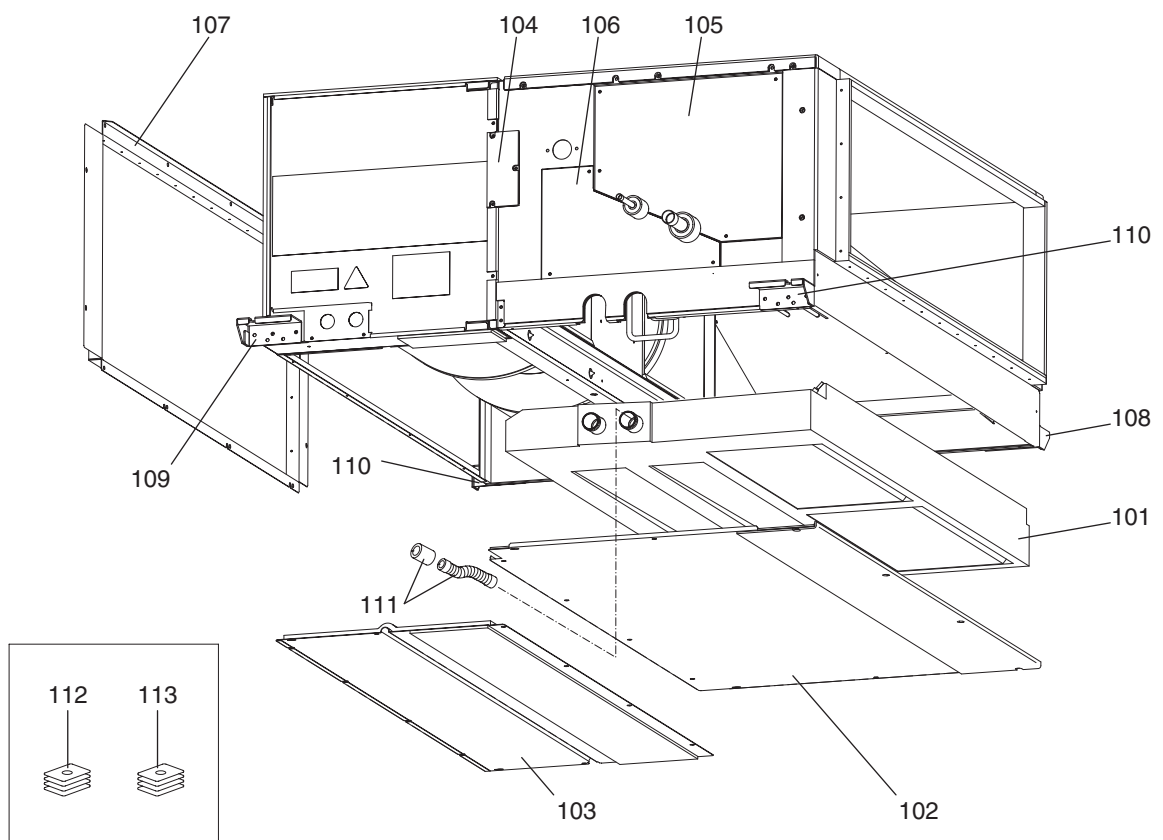
BWE1133C

INDEX
PEFY-P72NMHSU-E PEFY-P96NMHSU-E

Part information update day : **2019/08/19**

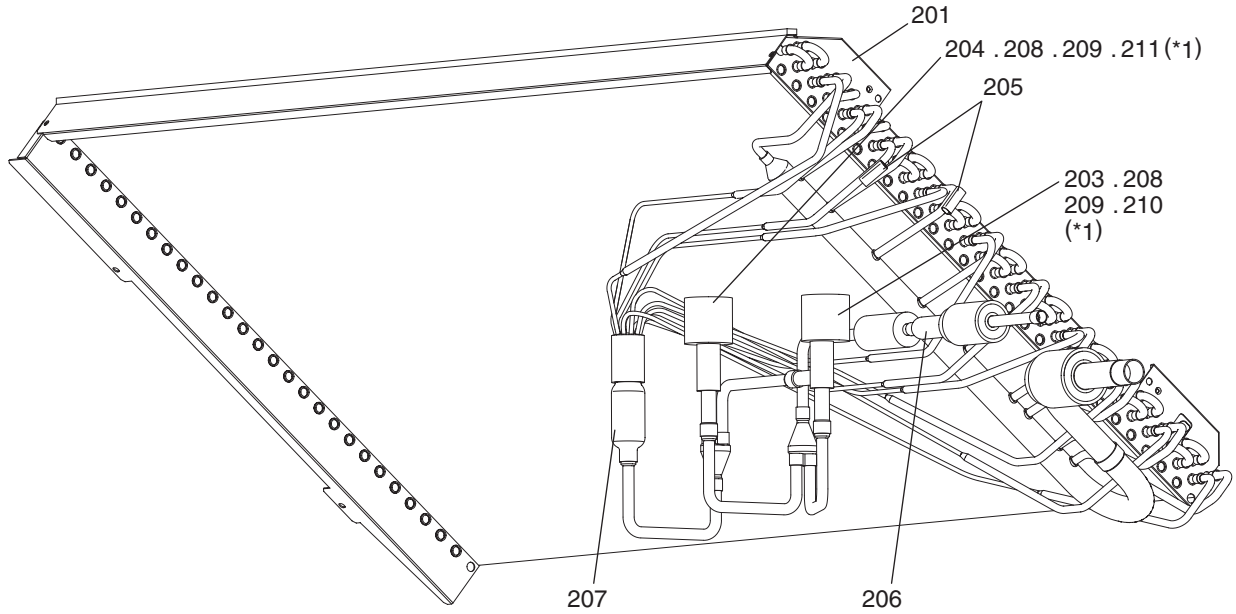
Please change the old catalog (issued Apr. 2016, BWE1133B) to this new catalog.
Content of revision : Some of parts are changed.



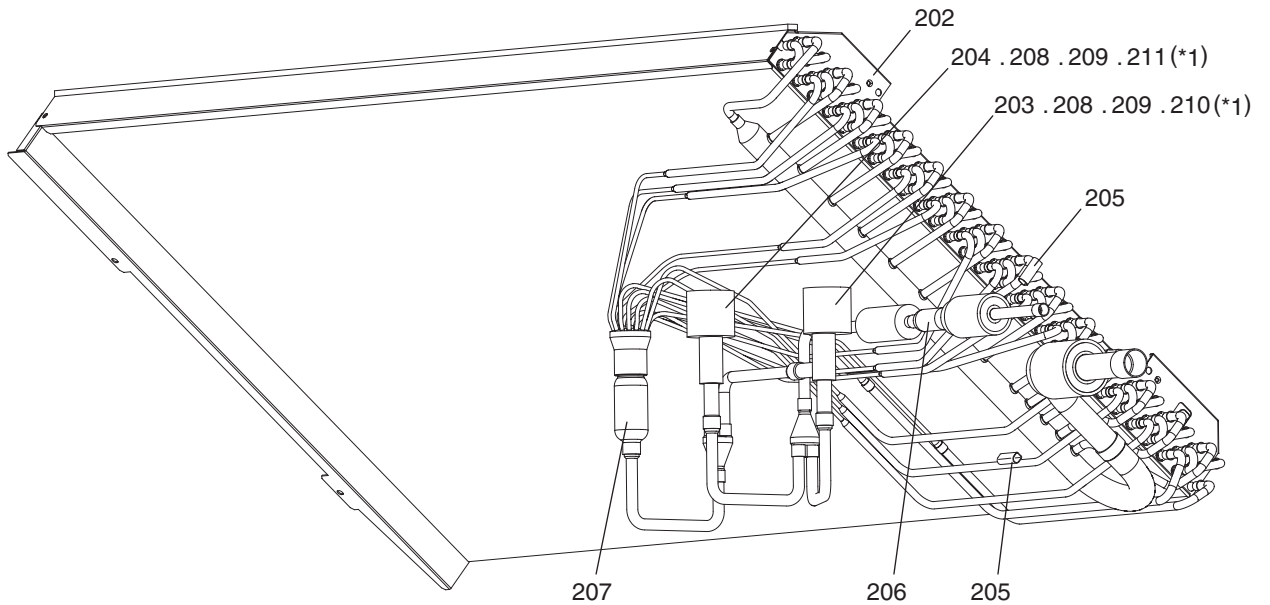


No.	Part No.	Part Name	Spec.	PEFY-P72NMHSU-E	PEFY-P96NMHSU-E							Dwg. No.	Notes for the models	Revision info.
101	R61 094 529	Drain Pan		1	1							KD00L544G01		
102	R63 062 661	Bottom plate assy 1		1	1							KD00R136G02		Chg.
103	R61 039 661	Bottom plate assy 2		1	1							KD00L106G03		Chg.
104	R61 099 690	Lead wire cover		1	1							KD00D349G01		
105	R61 098 690	Cover 1		1	1							W870642G02		
106	R61 097 690	Cover 2		1	1							W870643G02		
107	R63 030 457	Flange		1	1							KD00L110G02		Chg.
108	R61 021 326	Hanging metal fittings		1	1							KB00P817G03		
109	R61 019 326	Hanging metal fittings		1	1							KD02F002H01		
110	R61 020 326	Hanging metal fittings		2	2							KD02F002H02		
111	R61 059 525	Drain hose set		1	1							KL00T368G02		Chg.
112	R63 7E4 136	Washer	Insulated	4	4							W909697G01		
113	R61 006 136	Washer		4	4							W909695H01		

PEFY-P72NMHSU-E

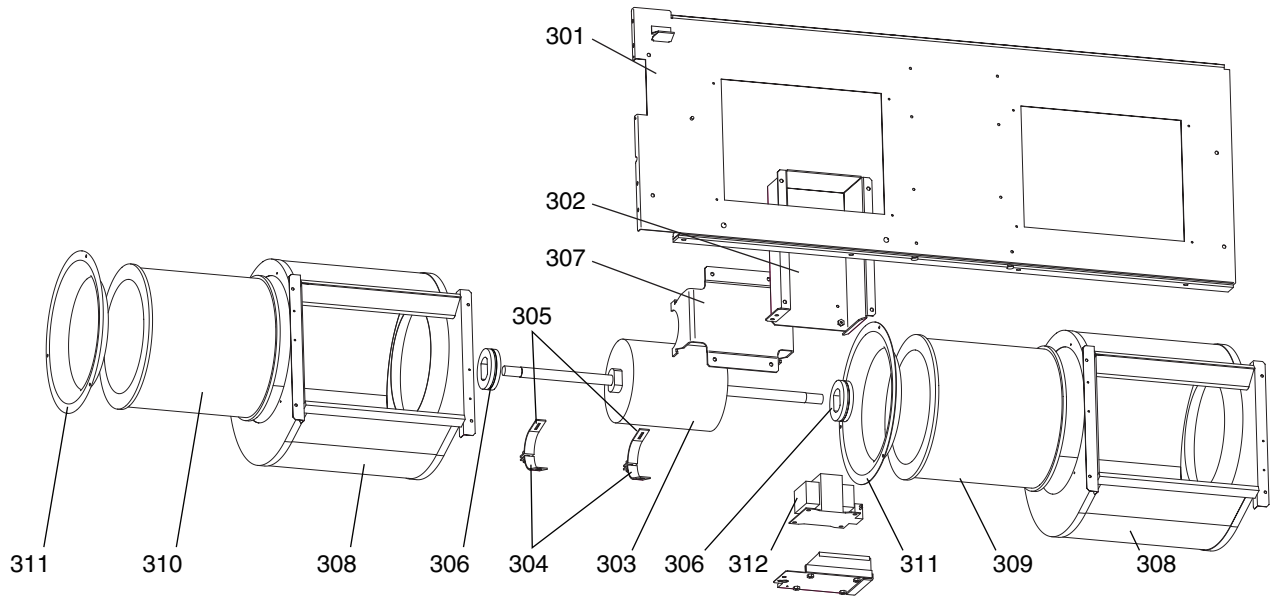


PEFY-P96NMHSU-E

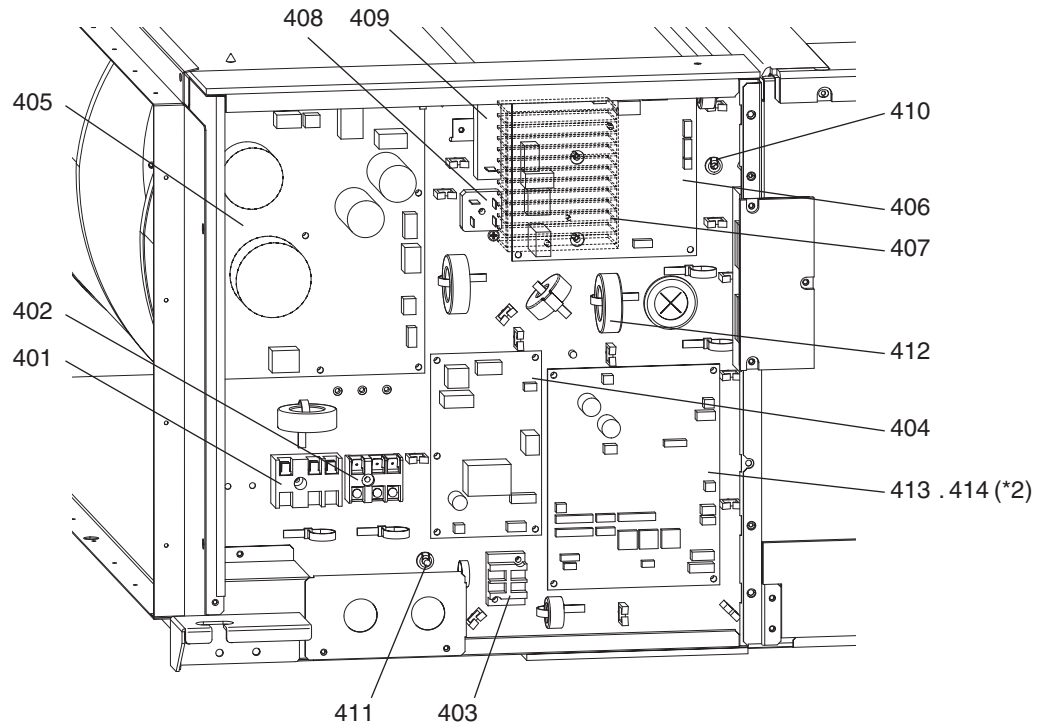


*1 Products manufactured to Sep. 2019 use EFM type LEV,
and products after Oct. 2019 use PAM type LEV.
In case of EFM type LEV is used, please change to PAM type LEV.
In that case, replace it with a set of 203, 204, 208, and 209.
Please order 210 and 211 when replacing only the motor part with EFM type.

No.	Part No.	Part Name	Spec.	PEFY-P72NMHSU-E		PEFY-P96NMHSU-E		Dwg. No.	Notes for the models	Revision info.
201	R61 H59 480	Heat exchanger		1				KB00J886G26		Chg.
202	R61 H60 480	Heat exchanger			1			KB00J887G28		Chg.
203	R61 132 401	Solenoid valve coil	PAM-MD12MD-27	1	1			P472133X01	*1	Add.
204	R61 133 401	Solenoid valve coil	PAM-MD12MD-29	1	1			P472134X01	*1	Add.
205	R61 123 200	Thermistor		1	1			P418090X01	<TH22,TH23>	
206	R63 A42 454	Strainer		1	1			W882823G01		
207	R61 010 454	Strainer		1	1			W882828G02		
208	R61 044 401	Linear expansion valve	PAM-B80YGMD-1	2	2			P632539X01	*1	Add.
209	R61 241 690	Waterproof cap		2	2			KB32S121H01	*1	Add.
210	R61 034 401	Linear expansion valve 1	EFM-80YGMD-14	1	1			P632501X01	*1	
211	R61 035 401	Linear expansion valve 2	EFM-80YGMD-15	1	1			P632502X01	*1	



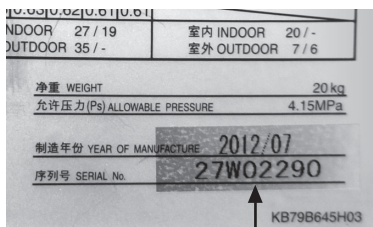
No.	Part No.	Part Name	Spec.	PEFY-P72NMHSU-E	PEFY-P96NMHSU-E				Dwg. No.	Notes for the models	Revision info.
301	R61 015 140	Fan base		1	1				KD00L089G02		
302	R61 032 128	Motor stand		1	1				KD00L091G01		
303	R61 110 220	Motor		1	1				P780170X03	<MF>	
304	R61 002 136	Fixing plate		2	2				R302K338H02		
305	R61 001 136	Fixing plate	with the nut	2	2				R302K338G82		
306	R63 Y01 104	Rubber bush		2	2				W860050H02		
307	R61 015 130	Leg		1	1				KP00K219G01		
308	R63 H20 110	Fan casing		2	2				W264318G05		
309	R63 311 114	Sirocco fan assy		1	1				R300C723G85		
310	R63 311 115	Sirocco fan assy		1	1				R300C723G86		
311	R63 249 119	Bell mouth		2	2				R302F474H03		
312	R61 024 259	Reactor		1	1				P715470X01		



*2 For the products whose serial number is 5XW***** or later, be sure to use No.414.
For the products whose serial number is 59W***** or earlier, No.413 or No.414 can be used.
If the production number of the indoor unit is not available, procure parts No.414.
No.413 will be supplied as long as the stock is available,
and only No.414 will be supplied after the existing stock of No.413 is depleted.

	~59W*****	5XW*****~
No.413	USE	NOT USE
No.414	USE	USE

Serial No. of Air Conditioning & Refrigeration Systems Works.



Serial No.

2 7 W 0 2 2 9 0

↑ ↑ ↑ ↑
Serial number

Air Conditioning & Refrigeration Systems Works (Wakayama) identification. W stands for W of WAKAYAMA.

↑ ↑ ↑
Production month

Production **season** of Air Conditioning & Refrigeration Systems Works **April to March**
In this case, July / 2012

Production month / season

- 2 4 April / 2012
- 2 5 May / 2012
- 2 6 June / 2012
- 2 7 July / 2012
- 2 8 August / 2012
- 2 9 September / 2012
- 2 X October / 2012
- 2 Y November / 2012
- 2 Z December / 2012
- 2 1 January / 2013
- 2 2 February / 2013
- 2 3 March / 2013
- 3 4 April / 2013
- 3 5 May / 2013

PEFY-P72NMHSU-E
 PEFY-P96NMHSU-E

CONTROL BOX PARTS

No.	Part No.	Part Name	Spec.	PEFY-P72NMHSU-E	PEFY-P96NMHSU-E						Dwg. No.	Notes for the models	Revision info.
401	R63 979 247	Terminal block		1	1						P436238X01		
402	R63 A64 246	Terminal block		1	1						P436129X01		
403	R63 4G8 246	Terminal block		1	1						W872787G01		
404	R63 138 280	Board assy	POW	1	1						KE80C403G02	<P.B.>	
405	R61 164 280	Board assy	NF	1	1						KE80C403G03	<NF.B.>	
406	R63 140 280	Board assy	INV	1	1						W652171G10	<INV.B.>	
407	R61 002 479	Heat sink		1	1						P419177X02		
408	R61 002 320	Diode bridge		1	1						S414003H64		
409	R63 670 234	Resistor		1	1						P411113X01		
410	R63 257 200	Thermistor		1	1						P414098X01	<THHS>	
411	R61 169 200	Thermistor		1	1						RG71J628H03	<TH21>	
412	R61 011 155	Lead wire assy		1	1						KB78T863G02		
413	R61 637 280	Board assy	Cont	1	1						KE80C349G13	<I.B.> *2	Chg.
414	R61 431 280	Board assy	Cont	1	1						KE80C349G23	<I.B.> *2	

MITSUBISHI ELECTRIC CORPORATION

BWE1133C (20190831)