

SPLIT-SYSTEM HEAT PUMP

February 2023

No. TCB117

PARTS CATALOG

Series PKA **Wall Mounted**

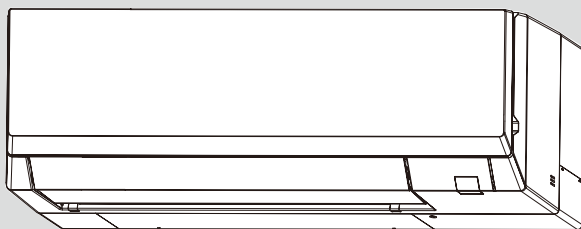
R410A

Indoor unit
[Model Name]

PKA-A12LA1
PKA-A18LA1

[Service Ref.]

PKA-A12LA1
PKA-A18LA1



INDOOR UNIT

CONTENTS

- 1. SERVICE PARTS LIST 2
- 2. OPTIONAL PARTS 6

SERVICE MANUAL (TCH117)



WIRELESS REMOTE
CONTROLLER
(Option)



WIRED REMOTE
CONTROLLER
(Option)

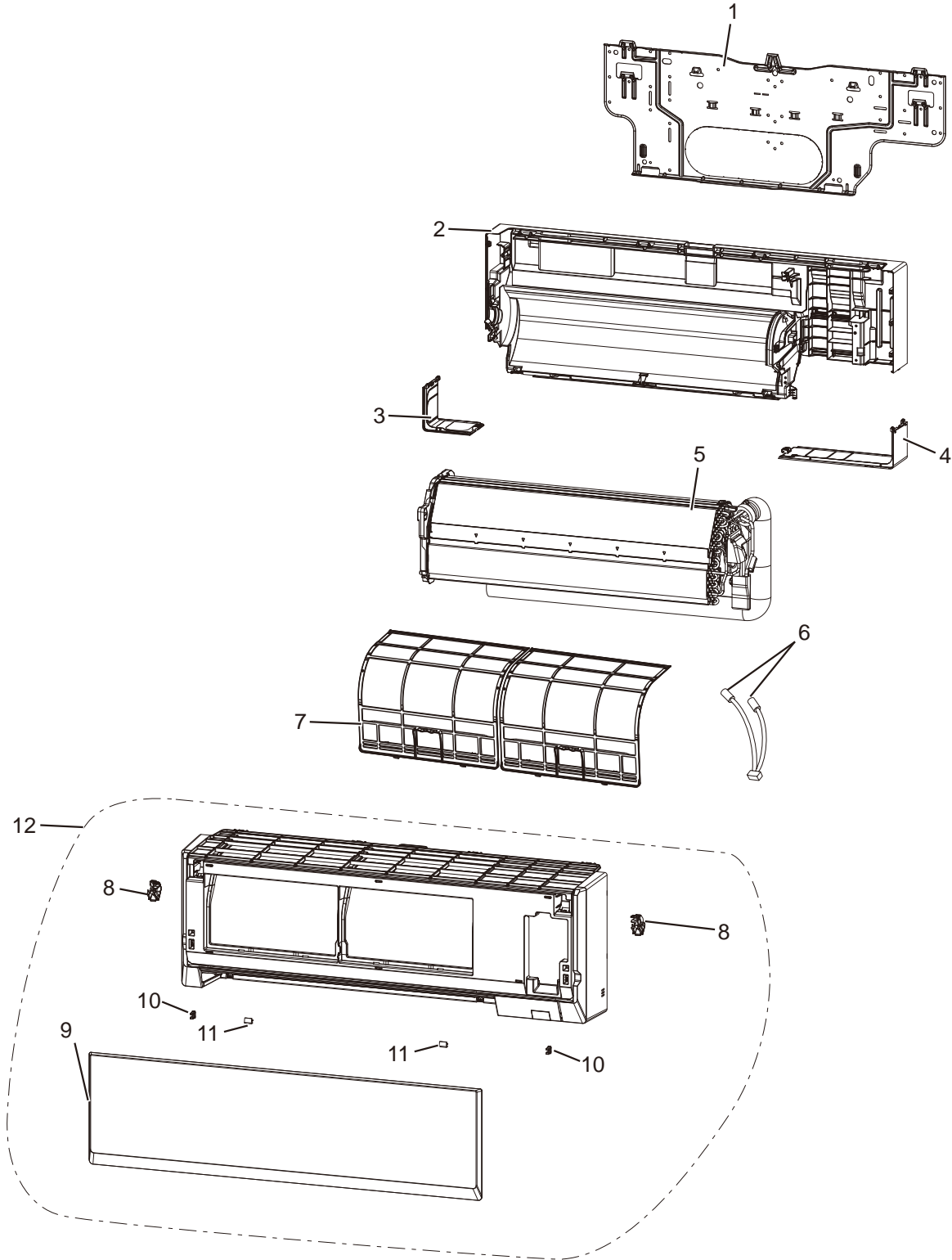
1

SERVICE PARTS LIST

PANEL AND HEAT EXCHANGER PARTS

PKA-A12LA1

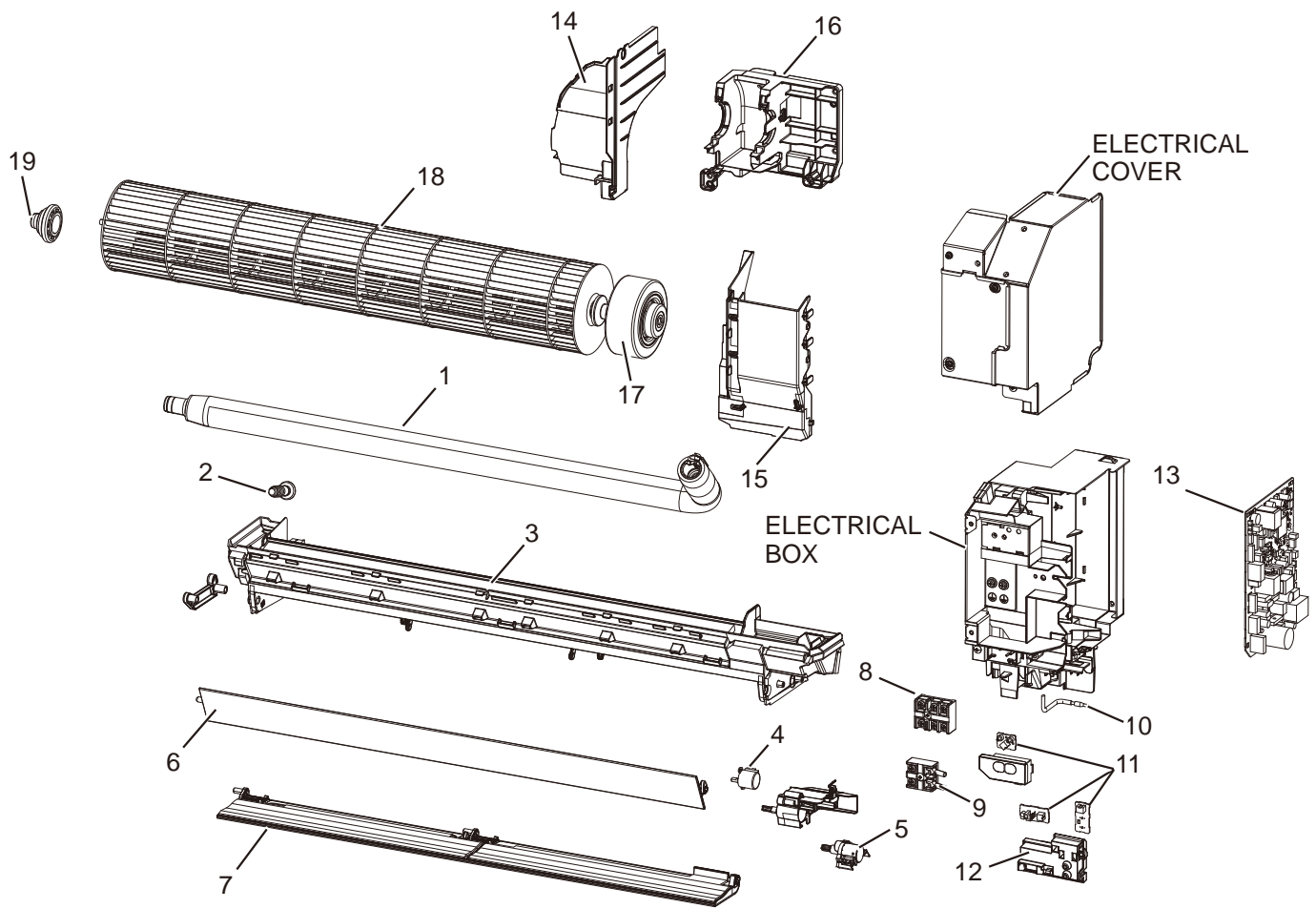
PKA-A18LA1



1. The part quantity below indicates the required number of pieces per unit.
2. The circled No. indicates that the part is not shown in the figure.

No.	Parts No.	Parts Name			Wiring Diagram Symbol	Remarks
			PKA-A12LA1	PKA-A18LA1		
1	E27 P68 970	INSTALLATION PLATE	1	1		
2	E27 P68 234	BOX ASSEMBLY	1	1		
3	E27 Y98 976	CORNER BOX L	1	1		
4	E27 Y98 975	CORNER BOX R	1	1		
5	E27 21F 620	INDOOR HEAT EXCHANGER	1	1		
6	E27 13D 307	INDOOR COIL THERMISTOR	1	1	TH2, TH5	
7	E27 58G 100	AIR FILTER	2	2		
8	E27 P63 021	ARM HOLDER SET	1	1		set (left, right)
9	E27 P68 010	FRONT PANEL	1	1		
10	E22 F95 142	CATCH	2	2		2 pcs/set
11	E22 98B 067	SCREW CAP	2	2		2 pcs/set
12	E27 P68 000	PANEL ASSEMBLY	1	1		Includes 8, 9, 10, 11

FAN AND ELECTRICAL PARTS
PKA-A12LA1
PKA-A18LA1



1. The part quantity below indicates the required number of pieces per unit.
2. The circled No. indicates that the part is not shown in the figure.

No.	Parts No.	Parts Name			Wiring Diagram Symbol	Remarks [Drawing No.]
			PKA-A12LA1	PKA-A18LA1		
1	E22 T20 702	DRAIN HOSE	1	1		
2	E27 42R 705	DRAIN CAP	1	1		
3	E27 77G 235	NOZZLE ASSEMBLY	1	1		Full assembly except drain hose
4	E27 103 303	VANE MOTOR (UPPER)	1	1	MV1	
5	E22 Y54 303	VANE MOTOR (LOWER)	1	1	MV2	
6	E27 77G 040	VANE UPPER	1	1		
7	E27 77G 041	VANE LOWER	1	1		
8	E27 21F 375	TERMINAL BLOCK	1	1	TB4	
9	E27 249 375	TERMINAL BLOCK	1	1	TB5	
10	E27 P63 308	ROOM TEMP. THERMISTOR	1	1	TH1	
11	E27 Y99 468	DISPLAY AND RECEIVER P.C. BOARD	1	1	L.B., W.B., S.B.	
12	E27 P63 095	DISPLAY RECEIVER HOLDER	1	1		
13	E27 58R 447	INDOOR CONTROLLER BOARD	1	1	I.B.	
14	E27 P63 333	MOTOR BAND	1	1		
15	E27 P63 541	WATER COVER	1	1		
16	E27 P64 333	MOTOR BED	1	1		
17	E27 13D 300	INDOOR FAN MOTOR	1	1	MF	Includes rubber mounts
18	E27 P68 302	LINE FLOW FAN	1	1		
19	E22 A89 509	BEARING MOUNT ASSEMBLY	1	1		
20	E27 Y98 978	CONDUIT PLATE SET	1	1		
21	E22 C32 667	UNION 1/4"	1	1		for liquid
22	E22 179 667	UNION 1/2"	1	1		for gas

2**OPTIONAL PARTS**

Parts name	Parts No.
Wired Remote Controller	PAR-41MAA, PAC-YT53CRAU
Wireless remote controller	PAR-SL101A-E
Wireless signal receiver	PAR-FA32MA
External Drain pump kit	PAC-SK01DM-E
Remote On/Off Adapter	PAOSE55RA-E
Connector Cable for Remote Display	PAC-SA88HA-EP
Wi-Fi Interface	PAC-WHS01WF-E
T-STAT Interface	PAC-US444CN-1
Remote Sensor	PAC-SE41TS-E
USNAP Interface	PAC-WHS02UP-E
Heater control relay adapter	PAC-SE56RA-E

mitsubishi electric corporation

HEAD OFFICE: TOKYO BUILDING, 2-7-3, MARUNOUCHI, CHIYODA-KU, TOKYO 100-8310, JAPAN

MITSUBISHI ELECTRIC CONSUMER PRODUCTS (THAILAND) CO., LTD.
700/406 MOO 7, TAMBON DON HUA ROH,
AMPHUR MUANG, CHONBURI 20000 THAILAND
Published: Feb. 2023 No. TCB117
Made in Thailand

Specifications are subject to change without notice.