

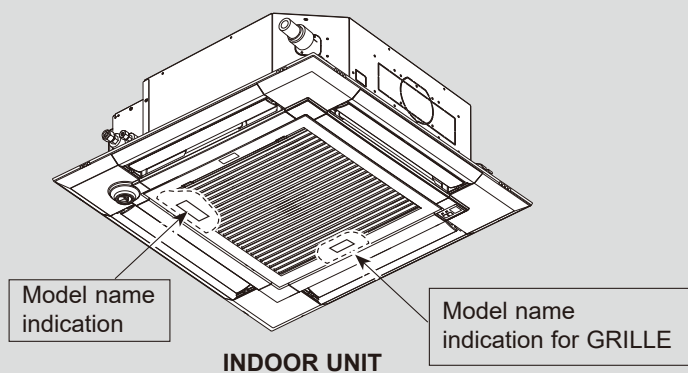
PARTS CATALOG

Series PLA Ceiling Cassettes R410A

Indoor unit [Model Name]	[Service Ref.]
PLA-A12EA7	PLA-A12EA7R1.TH
PLA-A18EA7	PLA-A18EA7R1.TH
PLA-A24EA7	PLA-A24EA7R1.TH
PLA-A30EA7	PLA-A30EA7R1.TH
PLA-A36EA7	PLA-A36EA7R1.TH
PLA-A42EA7	PLA-A42EA7R1.TH

Grille model
[Model Name]

PLP-41EAEU



CONTENTS

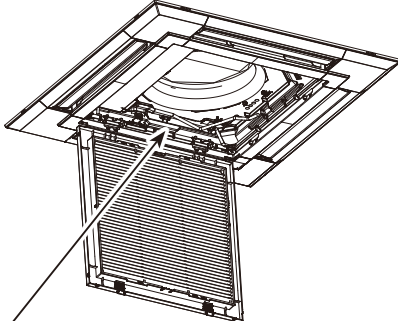
- 1. SERVICE PARTS LIST 2
- 2. OPTIONAL PARTS 6

SERVICE MANUAL (TCH070)


1

SERVICE PARTS LIST

GRILLE PARTS

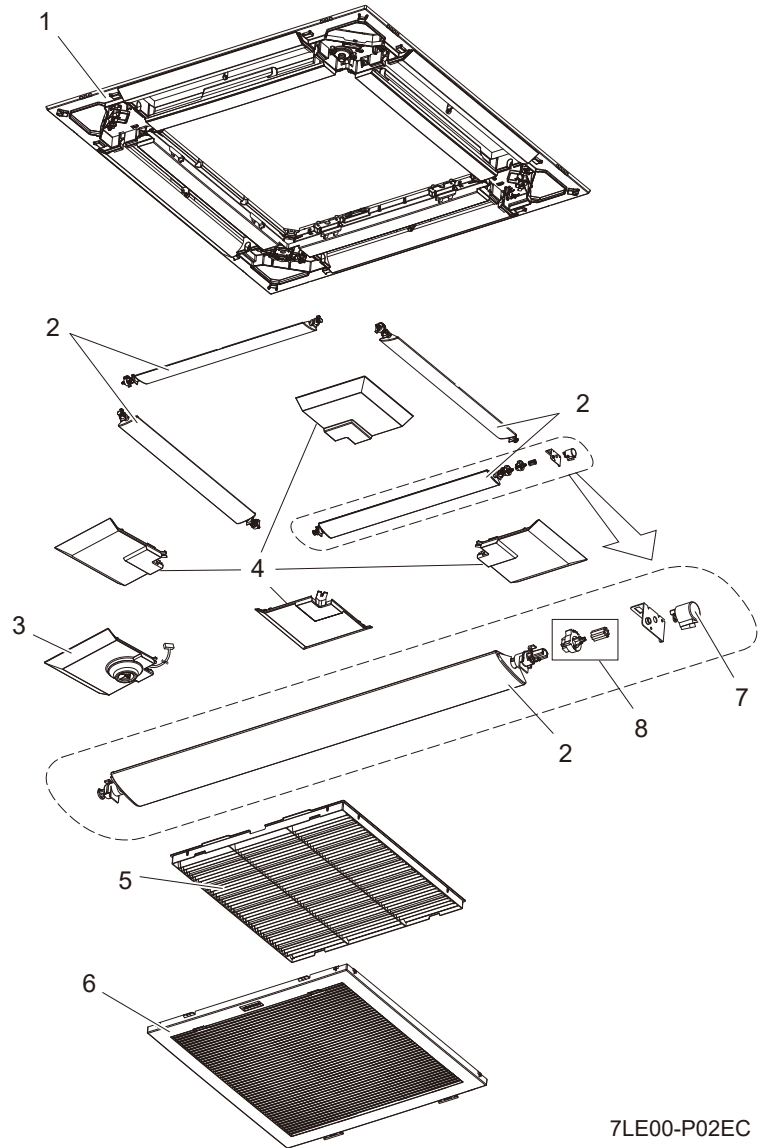


Caution:
Since the panel color differs depending on the model name, be sure to confirm the model name when ordering.



SERVICE REF.

↑
model name
(SERVICE REF.)



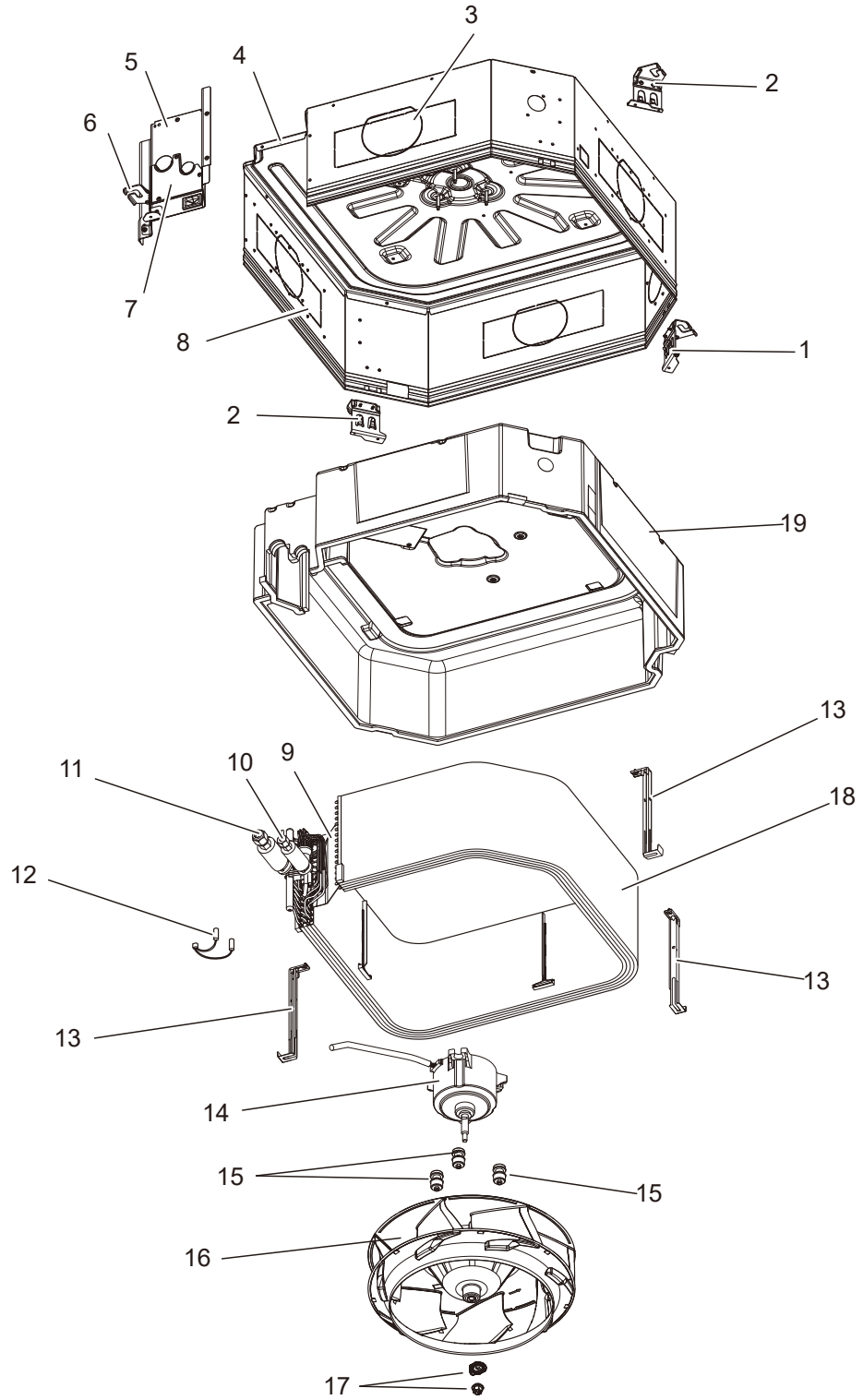
7LE00-P02EC

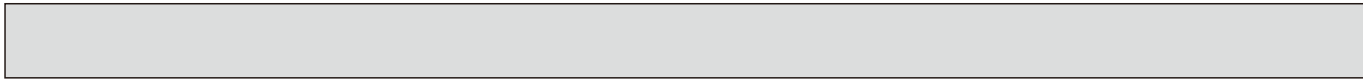
1. The part quantity below indicates the required number of pieces per unit.
2. The circled No. indicates that the part is not shown in the figure.

No.	Parts No.	Parts Name	PLP-41EAEU	Wiring Diagram Symbol	Remarks [Drawing No.]
1	E27 F85 003	AIR OUTLET GRILLE	1		Panel color: Munsell 1.0Y 9.2/0.2
2	E27 F85 037	AUTO VANE & VANE BUSH	4		Panel color: Munsell 1.0Y 9.2/0.2
3	E27 F86 975	CORNER PANEL (i-See sensor)	1		Panel color: Munsell 1.0Y 9.2/0.2
4	E27 F85 975	CORNER PANEL	3		Panel color: Munsell 1.0Y 9.2/0.2
5	E27 F85 100	AIR FILTER	1		
6	E27 F85 010	INTAKE GRILLE	1		Panel color: Munsell 1.0Y 9.2/0.2
7	E27 103 303	VANE MOTOR	4	MV	
8	E27 F85 031	GEAR (VANE & S/M)	4		

STRUCTURAL AND FUNCTIONAL PARTS

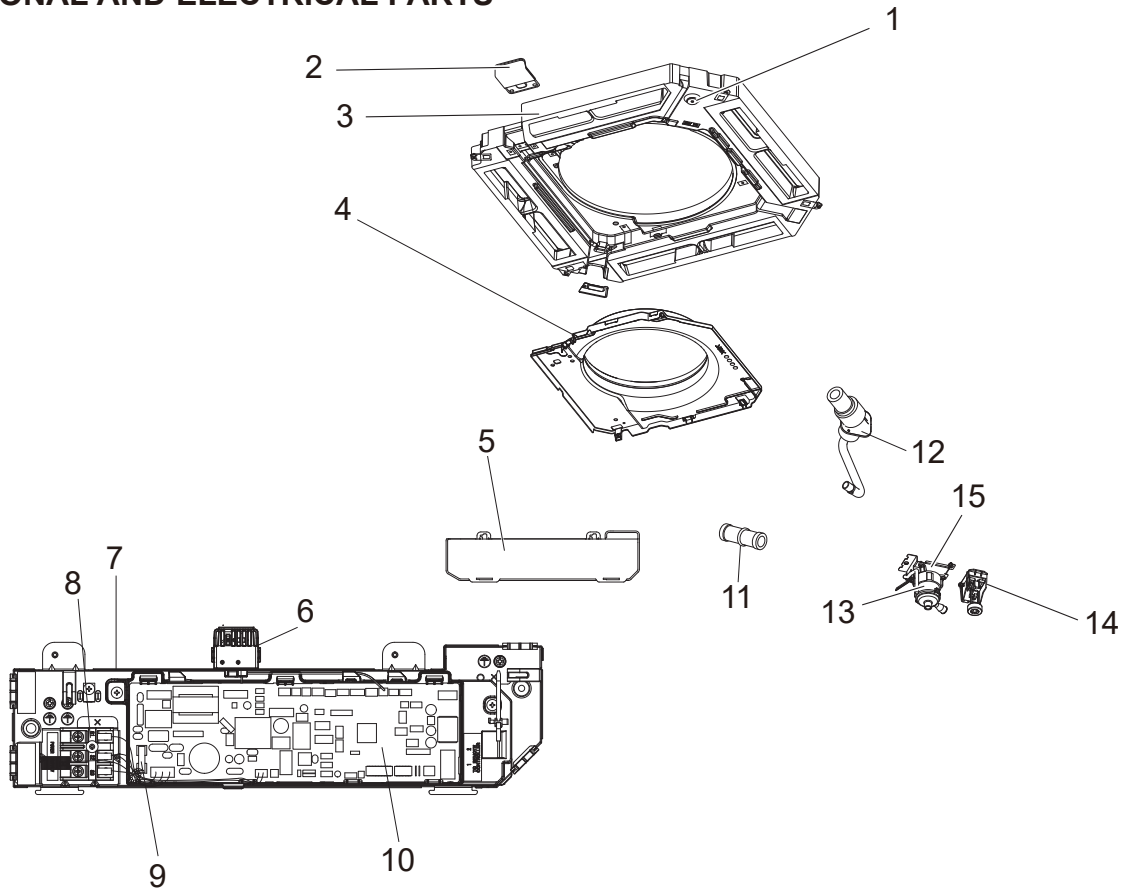
PLA-A12EA7R1.TH
PLA-A18EA7R1.TH
PLA-A24EA7R1.TH
PLA-A30EA7R1.TH
PLA-A36EA7R1.TH
PLA-A42EA7R1.TH





No.	Parts No.	Parts Name	Specification	PLA-A12EA7R1.TH	PLA-A18EA7R1.TH	PLA-A24EA7R1.TH	PLA-A30EA7R1.TH	PLA-A36EA7R1.TH	PLA-A42EA7R1.TH	Wiring Diagram Symbol
1	E27 K16 808	LEG FA		1	1	1	1	1	1	
2	E27 K15 808	LEG PUMP		2	2	2	2	2	2	
3	E27 K15 124	DRUM 1 ASSY		1	1					
	E27 K17 124	DRUM 1 ASSY				1	1	1	1	
4	E27 K15 290	BASE ASSY		1	1					
5	E27 83H 006	COVER DRUM		1	1					
	E27 85H 006	COVER DRUM				1	1	1	1	
6	E27 K17 808	LEG PIPE		1	1					
7	E27 K17 006	COVER DRUM U		1	1					
8	E27 K16 124	DRUM 2 ASSY		1	1					
	E27 K18 124	DRUM 2 ASSY				1	1	1	1	
9	E27 K15 711	COIL PLATE		1	1					
	E27 K17 711	COIL PLATE				1	1	1	1	
10	E27 A56 660	FLARE NUT	1/2"	1	1					
	E27 319 660	FLARE NUT	3/8"			1	1	1	1	
11	E27 83H 660	FLARE NUT	1/4"	1	1					
	E27 A57 660	FLARE NUT	5/8"			1	1	1	1	
12	E27 K15 307	THERMISTOR		1	1	1	1	1	1	TH2/TH5
13	E27 K16 648	COIL SUPPORT		1	1					
	E27 K18 648	COIL SUPPORT				3	3	3	3	
14	E27 14B 300	FAN MOTOR	(DC)-S	1	1					MF
	E27 18B 300	FAN MOTOR	(DC)-M			1	1	1	1	MF
15	E27 C12 105	MOTOR MOUNT		3	3	3	3	3	3	
16	E27 K15 502	TURBO FAN		1	1	1	1	1	1	
17	E27 K05 097	SPL WASHER / NUT		1	1	1	1	1	1	
18	E27 83H 620	HEAT EXCHANGER		1	1					
	E27 85H 620	HEAT EXCHANGER				1	1	1	1	
19	E27 K15 092	INNER COVER ASSY-S		1	1					
	E27 K17 092	INNER COVER ASSY-L				1	1	1	1	

FUNCTIONAL AND ELECTRICAL PARTS



No.	Parts No.	Parts Name	Specification	PLA-A12EA7R1.TH	PLA-A18EA7R1.TH	PLA-A24EA7R1.TH	PLA-A30EA7R1.TH	PLA-A36EA7R1.TH	PLA-A42EA7R1.TH	Remarks [Drawing No.]	Wiring Diagram Symbol
1	E27 436 524	DRAIN PLUG		1	1	1	1	1	1		
2	E27 K15 091	WIRE COVER		1	1	1	1	1	1		
3	E27 K15 700	DRAIN PAN		1	1	1	1	1	1		
4	E27 K15 509	BELLMOUTH-S		1	1						
	E27 K17 509	BELLMOUTH-L				1	1	1	1		
5	E27 K17 449	CONT COVER		1	1	1	1	1	1		
6	E27 K15 308	ROOM TEMP. THERMISTOR		1	1	1	1	1	1		TH1
7	E27 77H 777	ELECTRIC CONTROL BOX		1	1	1	1	1	1		
8	E27 83H 375	TERMINAL BLOCK	3P (S1, S2, S3)	1	1	1	1	1	1		TB4
9	E27 648 382	FUSE		1	1	1	1	1	1		
10	E27 77H 447	INDOOR CONTROLLER BOARD		1	1	1	1	1	1		I.B
11	E27 580 704	DRAIN SOCKET		1	1	1	1	1	1	Accessory	
12	E27 K15 702	DRAIN HOSE ASSY		1	1	1	1	1	1		
13	E27 K15 355	DRAIN PUMP	13V DC	1	1	1	1	1	1		DP
14	E27 K15 145	FLOAT SWITCH ASSY		1	1	1	1	1	1		FS
15	E27 K15 291	DRAIN PUMP BASE		1	1	1	1	1	1		

2**OPTIONAL PARTS**

Parts name	Parts No.
SPACE PANEL	PAC-SJ65AS-E
AIR OUTLET SHUTTER PLATE	PAC-SJ37SP-E
WIRED REMOTE CONTROLLER (MA REMOTE CONTROLLER)	PAR-40MAA
WIRED REMOTE CONTROLLER (SIMPLE MA REMOTE CONTROLLER)	PAC-YT53CRAU
WIRELESS REMOTE CONTROLLER	PAR-FL32MA, PAR-SL100A-E
WIRELESS SIGNAL RECEIVER (CORNER PANEL)	PAR-SR4LU-E
HIGH EFFICIENCY FILTER (PAC-SH53TM-E is required in using this optional part.)	PAC-SH59KF-E
MULTI-FUNCTIONAL CASEMENT	PAC-SJ41TM-E
FLANGE FOR FRESH AIR INTAKE	PAC-SH65OF-E
GRILLE (3D i-See sensor panel) [Panel color: Munsell 1.0Y 9.2/0.2]	PLP-41EAEU

mitsubishi electric corporation

HEAD OFFICE: TOKYO BUILDING, 2-7-3, MARUNOUCHI, CHIYODA-KU, TOKYO 100-8310, JAPAN

MITSUBISHI ELECTRIC CONSUMER PRODUCTS (THAILAND) CO., LTD.
700/406 MOO 7, TAMBON DON HUA ROH,
AMPHUR MUANG, CHONBURI 20000 THAILAND
Published: Oct. 2021 No. TCB070
Made in Thailand

Specifications are subject to change without notice.