

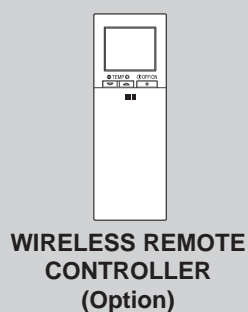
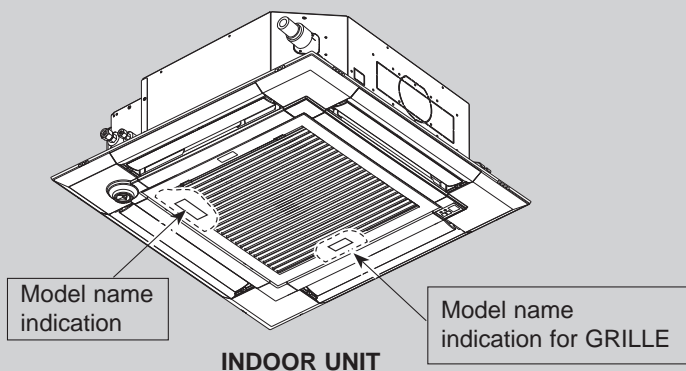
PARTS CATALOG

Series PLA Ceiling Cassettes R410A

Indoor unit [Model Name]	[Service Ref.]
PLA-A12EA8	PLA-A12EA8
PLA-A18EA8	PLA-A18EA8
PLA-A24EA8	PLA-A24EA8
PLA-A30EA8	PLA-A30EA8
PLA-A36EA8	PLA-A36EA8
PLA-A42EA8	PLA-A42EA8
PLA-A48EA8	PLA-A48EA8

Grille model [Model Name]

PLP-41EAEU

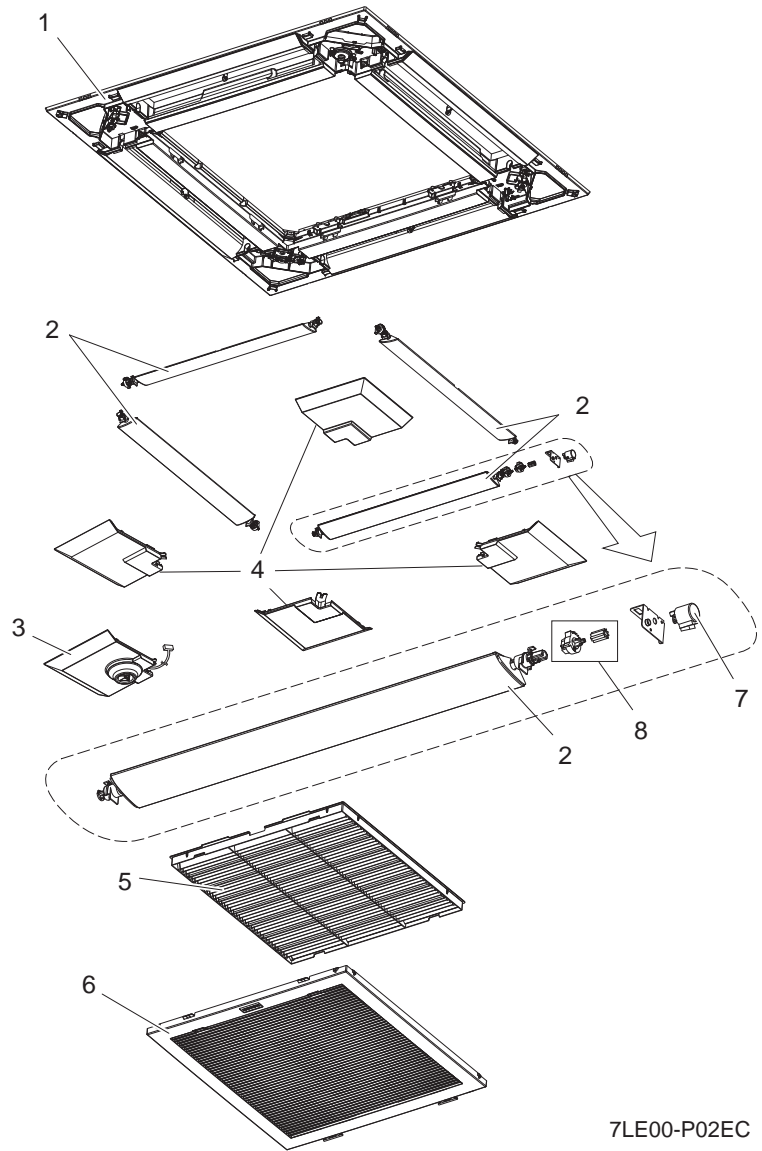


CONTENTS

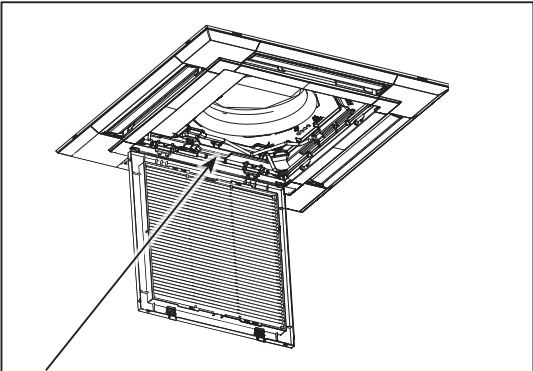
- 1. SERVICE PARTS LIST 2
- 2. OPTIONAL PARTS 6

SERVICE MANUAL (TCH106)

GRILLE PARTS



7LE00-P02EC



Caution:

Since the panel color differs depending on the model name, be sure to confirm the model name when ordering.



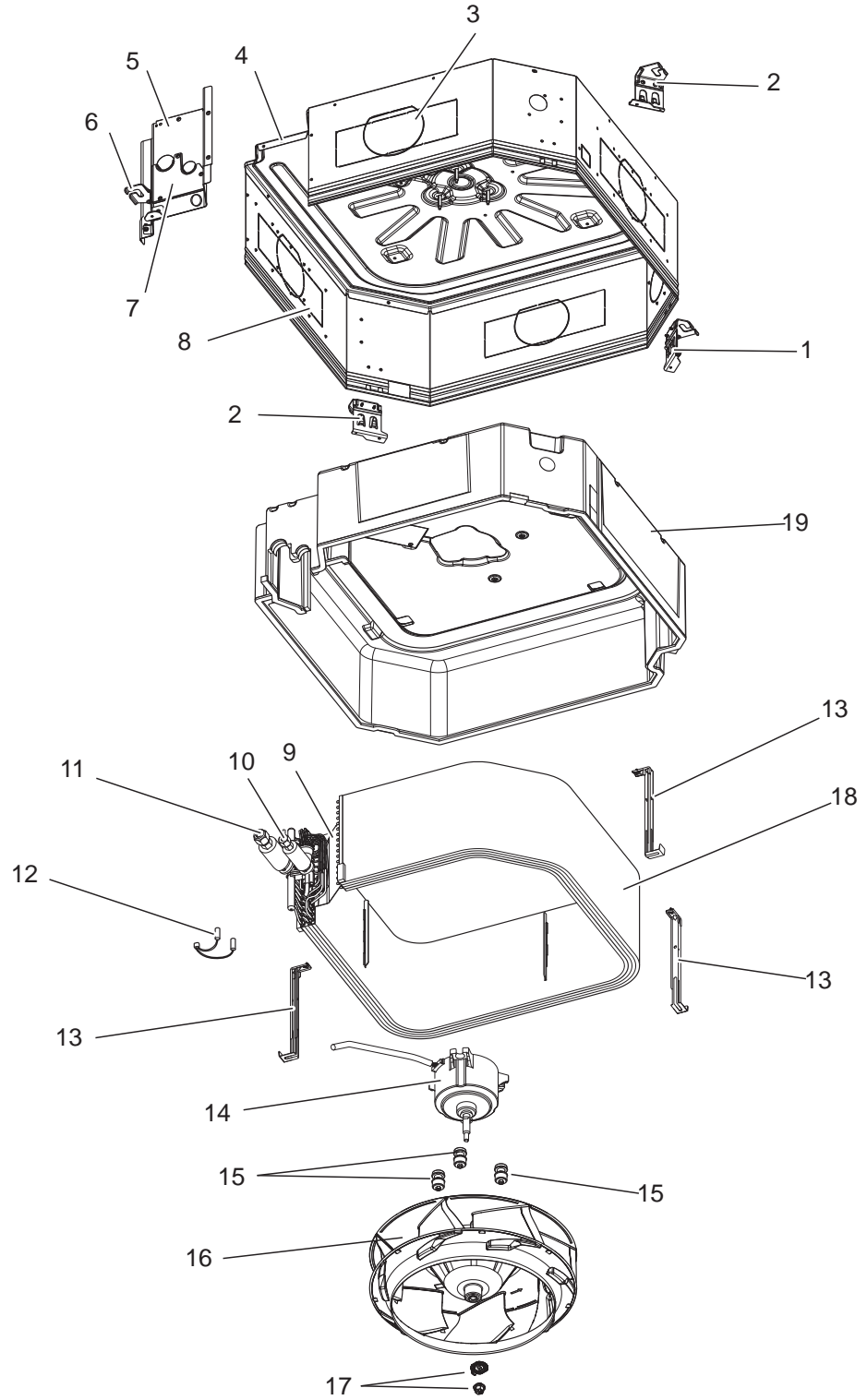
model name
(SERVICE REF.)

- 1. The part quantity below indicates the required number of pieces per unit.
- 2. The circled No. indicates that the part is not shown in the figure.

No.	Parts No.	Parts Name	PLP-41EAEU	Wiring Diagram Symbol	Remarks [Drawing No.]
1	E27 F85 003	AIR OUTLET GRILLE	1		Panel color: Munsell 1.0Y 9.2/0.2
2	E27 F85 037	AUTO VANE & VANE BUSH	4		Panel color: Munsell 1.0Y 9.2/0.2
3	E27 F86 975	CORNER PANEL (i-See sensor)	1		Panel color: Munsell 1.0Y 9.2/0.2
4	E27 F85 975	CORNER PANEL	3		Panel color: Munsell 1.0Y 9.2/0.2
5	E27 F85 100	AIR FILTER	1		
6	E27 F85 010	INTAKE GRILLE	1		Panel color: Munsell 1.0Y 9.2/0.2
7	E27 103 303	VANE MOTOR	4	MV	
8	E27 F85 031	GEAR (VANE & S/M)	4		

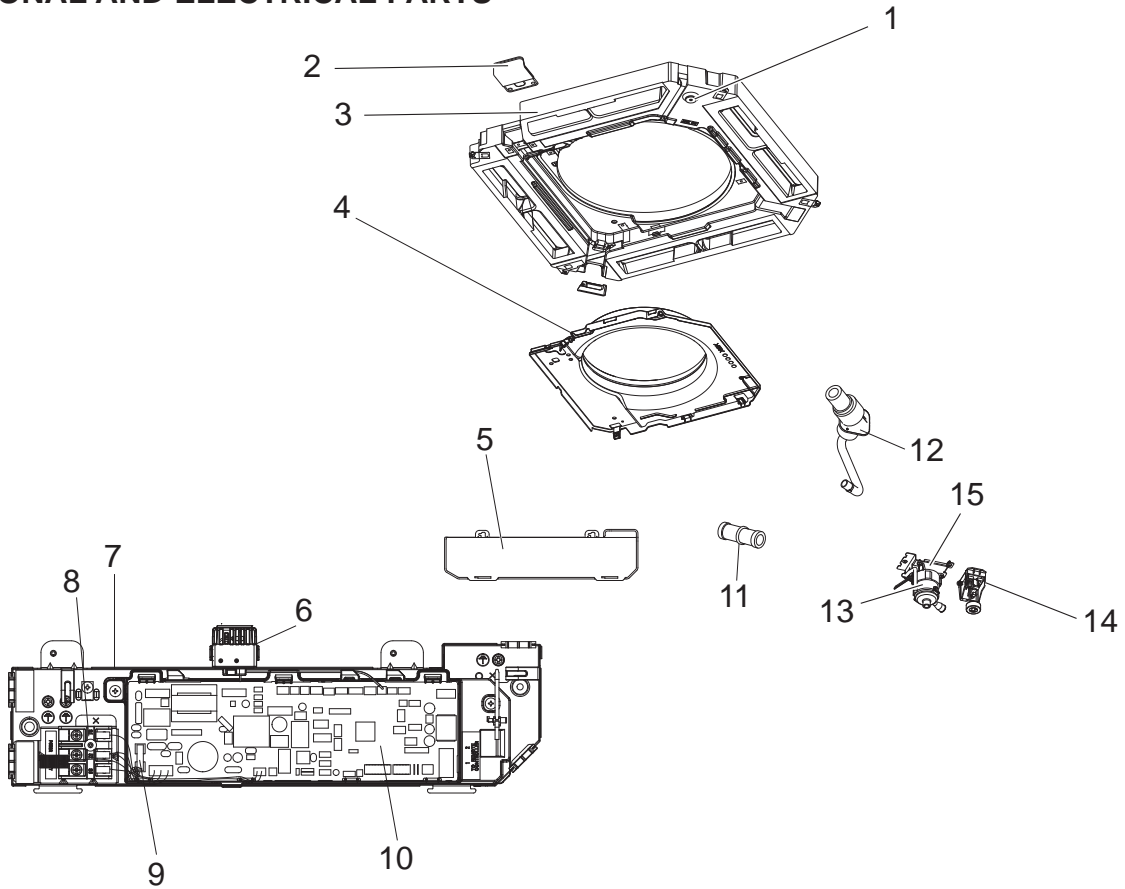
STRUCTURAL AND FUNCTIONAL PARTS

- PLA-A12EA8
- PLA-A18EA8
- PLA-A24EA8
- PLA-A30EA8
- PLA-A36EA8
- PLA-A42EA8
- PLA-A48EA8



No.	Parts No.	Parts Name	Specification	PLA-A12EA8	PLA-A18EA8	PLA-A24EA8	PLA-A30EA8	PLA-A36EA8	PLA-A42EA8	PLA-A48EA8	Wiring Diagram Symbol
1	E27 K16 808	LEG (F.A)		1	1	1	1	1	1	1	
2	E27 K15 808	LEG (PUMP)		2	2	2	2	2	2	2	
3	E27 K15 124	DRUM 1 ASSY		1	1						
	E27 K17 124	DRUM 1 ASSY				1	1	1	1	1	
4	E27 K15 290	BASE ASSY		1	1						
5	E27 83H 006	COVER DRUM		1	1						
	E27 85H 006	COVER DRUM				1	1	1	1	1	
6	E27 K17 808	LEG PIPE		1	1	1	1	1	1	1	
7	E27 K17 006	COVER DRUM U		1	1	1	1	1	1	1	
8	E27 K16 124	DRUM 2 ASSY		1	1						
	E27 K18 124	DRUM 2 ASSY				1	1	1	1	1	
9	E27 K15 711	COIL PLATE		1	1						
	E27 K17 711	COIL PLATE				1	1	1	1	1	
10	E27 A56 660	FLARE NUT	1/2"	1	1						
	E27 319 660	FLARE NUT	3/8"			1	1	1	1	1	
11	E27 83H 660	FLARE NUT	1/4"	1	1						
	E27 A57 660	FLARE NUT	5/8"			1	1	1	1	1	
12	E27 K15 307	THERMISTOR		1	1	1	1	1	1	1	TH2/TH5
13	E27 K16 648	COIL SUPPORT		1	1						
	E27 K18 648	COIL SUPPORT				3	3	3	3	3	
14	E27 14B 300	INDOOR FAN MOTOR	(DC)-S	1	1						MF
	E27 18B 300	INDOOR FAN MOTOR	(DC)-M			1	1	1	1	1	MF
15	E27 C12 105	MOTOR MOUNT		3	3	3	3	3	3	3	
16	E27 K15 502	TURBO FAN		1	1	1	1	1	1	1	
17	E27 K05 097	SPL WASHER / NUT		1	1	1	1	1	1	1	
18	E27 83H 620	INDOOR HEAT EXCHANGER		1	1						
	E27 85H 620	INDOOR HEAT EXCHANGER				1	1	1	1	1	
19	E27 K15 092	INNER COVER ASSY-S		1	1						
	E27 K17 092	INNER COVER ASSY-L				1	1	1	1	1	

FUNCTIONAL AND ELECTRICAL PARTS



No.	Parts No.	Parts Name	Specification	PLA-A12EA8	PLA-A18EA8	PLA-A24EA8	PLA-A30EA8	PLA-A36EA8	PLA-A42EA8	PLA-A48EA8	Remarks [Drawing No.]	Wiring Diagram Symbol
1	E27 436 524	DRAIN PLUG		1	1	1	1	1	1	1		
2	E27 K15 091	WIRE COVER		1	1	1	1	1	1	1		
3	E27 K15 700	DRAIN PAN		1	1	1	1	1	1	1		
4	E27 K15 509	BELL MOUTH-S		1	1							
	E27 K17 509	BELL MOUTH-L				1	1	1	1	1		
5	E27 K17 449	CONT COVER		1	1	1	1	1	1	1		
6	E27 K15 308	ROOM TEMP. THERMISTOR		1	1	1	1	1	1	1		TH1
7	E27 77H 777	ELECTRIC CONTROL BOX		1	1	1	1	1	1	1		
8	E27 83H 375	TERMINAL BLOCK	3P (S1, S2, S3)	1	1	1	1	1	1	1		TB4
9	E27 78R 382	FUSE		1	1	1	1	1	1	1		
10	E27 68T 447	INDOOR CONTROLLER BOARD		1	1	1	1	1	1	1		I.B
11	E27 580 704	DRAIN SOCKET		1	1	1	1	1	1	1	Accessory	
12	E27 K15 702	DRAIN HOSE ASSY		1	1	1	1	1	1	1		
13	E27 68T 355	DRAIN PUMP	13V DC	1	1	1	1	1	1	1		DP
14	E27 K15 145	FLOAT SWITCH ASSY		1	1	1	1	1	1	1		FS
15	E27 K15 291	DRAIN PUMP BASE		1	1	1	1	1	1	1		

2**OPTIONAL PARTS**

Parts name	Parts No.
SPACE PANEL	PAC-SJ65AS-E
AIR OUTLET SHUTTER PLATE	PAC-SJ37SP-E
WIRED REMOTE CONTROLLER (MA REMOTE CONTROLLER)	PAR-41MAA
WIRED REMOTE CONTROLLER (SIMPLE MA REMOTE CONTROLLER)	PAC-YT53CRAU
WIRELESS REMOTE CONTROLLER	PAR-SL101A-E
WIRELESS SIGNAL RECEIVER (CORNER PANEL)	PAR-SR4LU-E
HIGH EFFICIENCY FILTER (PAC-SH53TM-E is required in using this optional part.)	PAC-SH59KF-E
MULTI-FUNCTIONAL CASEMENT	PAC-SJ41TM-E
FLANGE FOR FRESH AIR INTAKE	PAC-SH65OF-E
GRILLE (3D i-See sensor panel) [Panel color: Munsell 1.0Y 9.2/0.2]	PLP-41EAEU

mitsubishi electric corporation

HEAD OFFICE: TOKYO BUILDING, 2-7-3, MARUNOUCHI, CHIYODA-KU, TOKYO 100-8310, JAPAN

MITSUBISHI ELECTRIC CONSUMER PRODUCTS (THAILAND) CO., LTD.
700/406 MOO 7, TAMBON DON HUA ROH,
AMPHUR MUANG, CHONBURI 20000 THAILAND
Published: Jan. 2023 No. TCB106
Made in Thailand

Specifications are subject to change without notice.