

# PARTS CATALOG

## Series PLFY Ceiling Cassettes

**Indoor unit**

[Model Name]

PLFY-WL06NEMU-E

PLFY-WL08NEMU-E

PLFY-WL12NEMU-E

PLFY-WL15NEMU-E

PLFY-WL18NEMU-E

PLFY-WL24NEMU-E

PLFY-WL30NEMU-E

PLFY-WL36NEMU-E

PLFY-WL48NEMU-E

[Service Ref.]

PLFY-WL06NEMU-E.TH

PLFY-WL08NEMU-E.TH

PLFY-WL12NEMU-E.TH

PLFY-WL15NEMU-E.TH

PLFY-WL18NEMU-E.TH

PLFY-WL24NEMU-E.TH

PLFY-WL30NEMU-E.TH

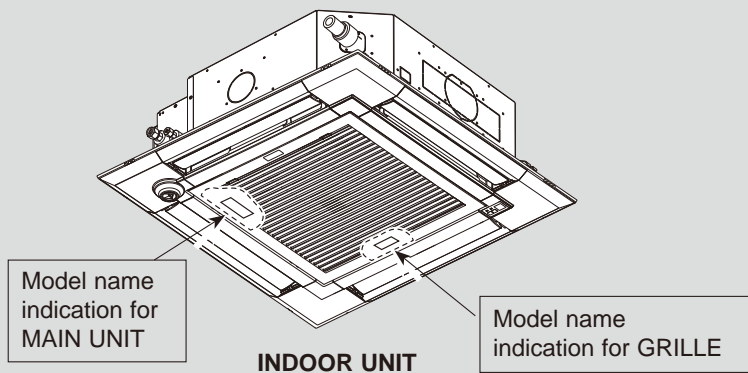
PLFY-WL36NEMU-E.TH

PLFY-WL48NEMU-E.TH

**Grille model**

[Model Name]

PLP-41EAEU



**WIRELESS REMOTE  
CONTROLLER  
(Option)**



**WIRED REMOTE  
CONTROLLER  
(Option)**

### CONTENTS

- 1. SERVICE PARTS LIST ..... 2
- 2. OPTIONAL PARTS ..... 6

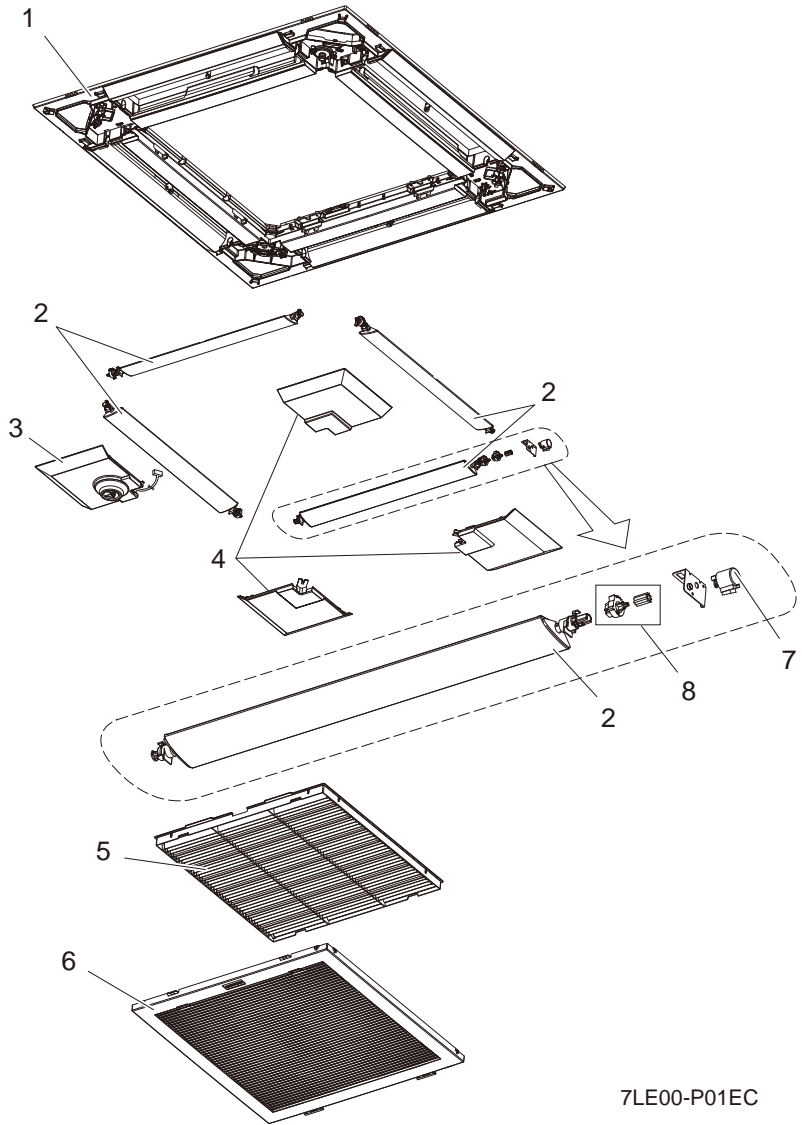
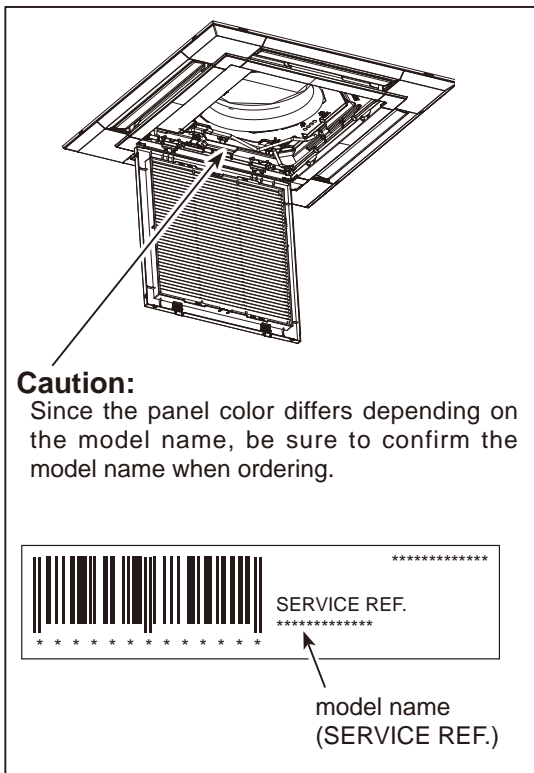
**SERVICE MANUAL (TCH124)**

# CITY MULTI

# 1

# SERVICE PARTS LIST

## GRILLE PARTS



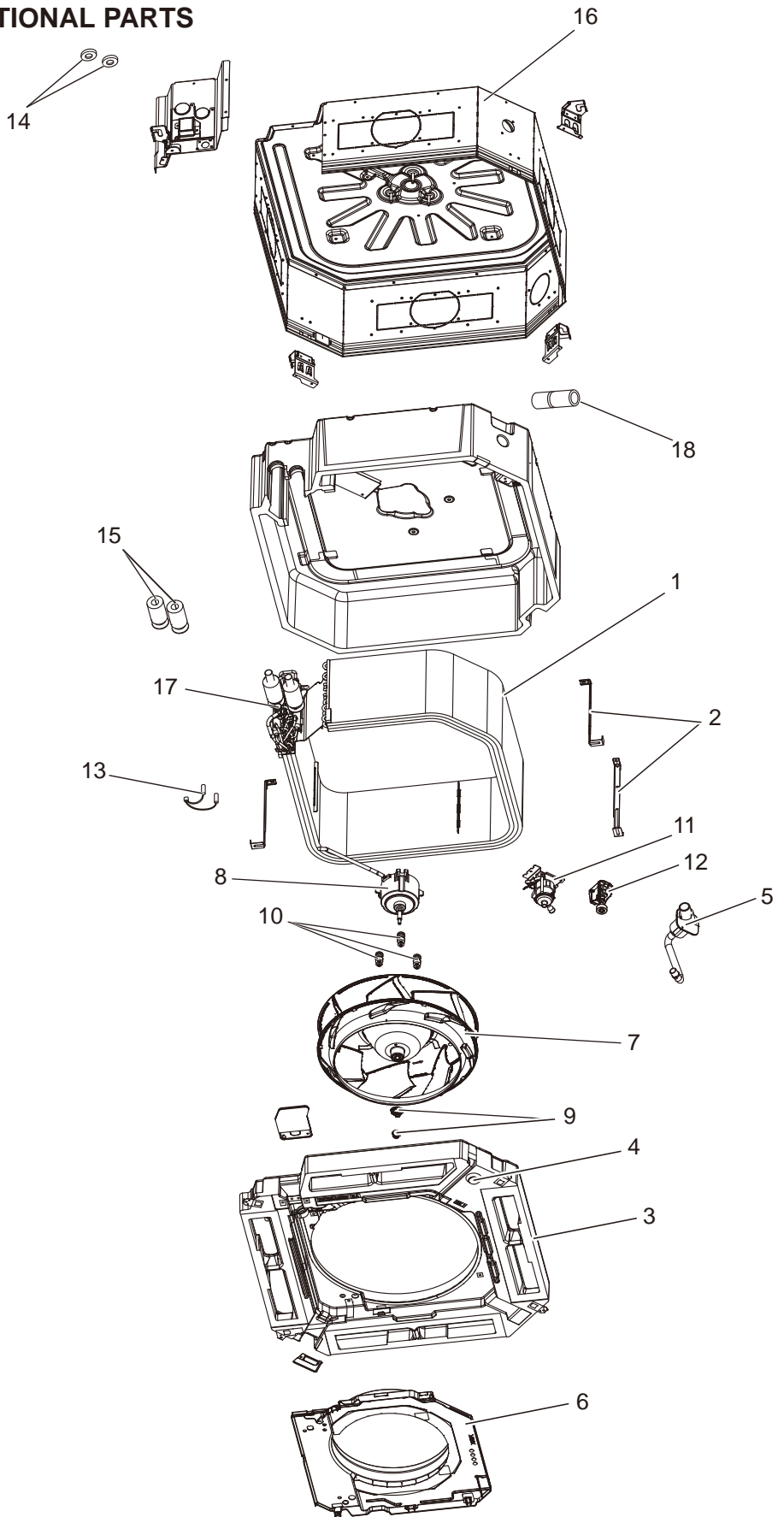
7LE00-P01EC

1. The part quantity below indicates the required number of pieces per unit.
2. The circled No. indicates that the part is not shown in the figure.

No.	Parts No.	Parts Name	PLP-41EAEU	Wiring Diagram Symbol	Remarks [Drawing No.]
1	E 2 7 F 8 5 0 0 3	AIR OUTLET GRILLE	1		Panel color: Munsell 1.0Y 9.2/0.2
2	E 2 7 F 8 5 0 3 7	AUTO VANE & VANE BUSH	4		Panel color: Munsell 1.0Y 9.2/0.2
3	E 2 7 F 8 6 9 7 5	CORNER PANEL (i-See sensor)	1		Panel color: Munsell 1.0Y 9.2/0.2
4	E 2 7 F 8 5 9 7 5	CORNER PANEL	3		Panel color: Munsell 1.0Y 9.2/0.2
5	E 2 7 F 8 5 1 0 0	AIR FILTER	1		
6	E 2 7 F 8 5 0 1 0	INTAKE GRILLE	1		Panel color: Munsell 1.0Y 9.2/0.2
7	E 2 7 1 0 3 3 0 3	VANE MOTOR	4	MV	
8	E 2 7 F 8 5 0 3 1	GEAR (VANE & S/M)	4		

## STRUCTURAL AND FUNCTIONAL PARTS

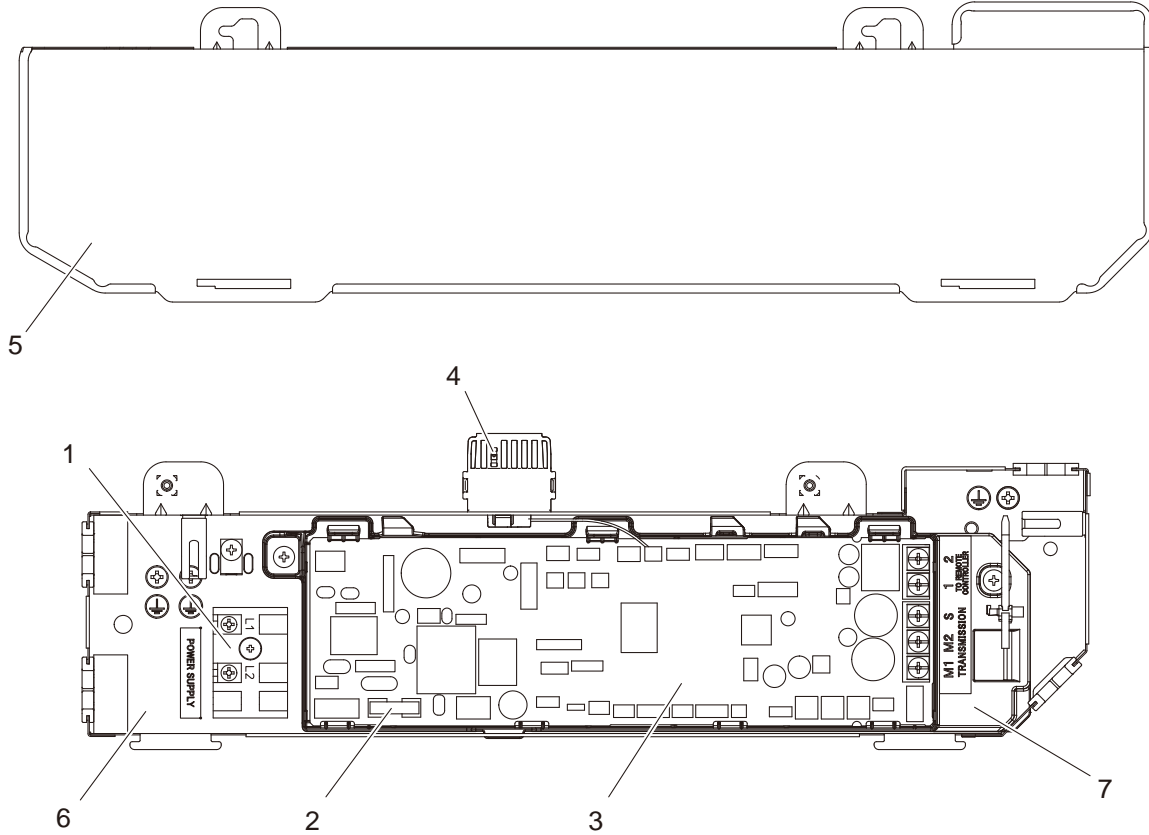
PLFY-WL06NEMU-E.TH  
PLFY-WL08NEMU-E.TH  
PLFY-WL12NEMU-E.TH  
PLFY-WL15NEMU-E.TH  
PLFY-WL18NEMU-E.TH  
PLFY-WL24NEMU-E.TH  
PLFY-WL30NEMU-E.TH  
PLFY-WL36NEMU-E.TH  
PLFY-WL48NEMU-E.TH



1. The part quantity below indicates the required number of pieces per unit.
2. The circled No. indicates that the part is not shown in the figure.

No.	Parts No.	Parts Name											Wiring Diagram Symbol	Remarks [Drawing No.]	
			PLFY-WL06NEMU-E.TH	PLFY-WL08NEMU-E.TH	PLFY-WL12NEMU-E.TH	PLFY-WL15NEMU-E.TH	PLFY-WL18NEMU-E.TH	PLFY-WL24NEMU-E.TH	PLFY-WL30NEMU-E.TH	PLFY-WL36NEMU-E.TH	PLFY-WL48NEMU-E.TH				
1	E27 64U 620	INDOOR HEAT EXCHANGER	1	1											
	E27 66U 620	INDOOR HEAT EXCHANGER			1	1	1								
	E27 70U 620	INDOOR HEAT EXCHANGER						1	1						
	E27 72U 620	INDOOR HEAT EXCHANGER									1				
	E27 73U 620	INDOOR HEAT EXCHANGER										1			
2	E27 K15 648	COIL SUPPORT	1	1											
	E27 K16 648	COIL SUPPORT			1	1	1								
	E27 K17 648	COIL SUPPORT						1	1	1					
	E27 K18 648	COIL SUPPORT										3			
3	E27 M31 700	DRAIN PAN	1	1	1	1	1	1	1	1	1	1			
4	E27 436 524	DRAIN PLUG	1	1	1	1	1	1	1	1	1	1			
5	E27 K15 702	DRAIN HOSE	1	1	1	1	1	1	1	1	1	1			
6	E27 M31 509	BELL MOUTH	1	1	1	1	1								
	E27 M36 509	BELL MOUTH						1	1	1	1				
7	E27 K15 502	TURBO FAN	1	1	1	1	1	1	1	1	1	1			
8	E27 14B 300	INDOOR FAN MOTOR	1	1	1	1	1						MF		
	E27 18B 300	INDOOR FAN MOTOR						1	1	1	1		MF		
9	E27 K05 097	FAN WASHER & NUT	1	1	1	1	1	1	1	1	1	1			
10	E27 C12 105	MOTOR MOUNT	3	3	3	3	3	3	3	3	3	3			
11	E27 68T 355	DRAIN PUMP	1	1	1	1	1	1	1	1	1	1			
12	E27 K15 145	DRAIN FLOAT SWICH	1	1	1	1	1	1	1	1	1	1			
13	E27 K15 307	INDOOR COIL THERMISTOR	1	1	1	1	1	1	1	1	1	1			
14	E27 L09 097	WASHER	4	4	4	4	4	4	4	4	4	4			
15	E27 L09 910	PIPE COVER	1	1	1	1	1	1	1	1	1	1			
16	E27 K15 290	BASE	1	1	1	1	1	1	1	1	1	1			
17	E27 895 642	AIR PRUGE VALVE	1	1	1	1	1	1	1	1	1	1			
18	E27 580 704	DRAIN SOCKET	1	1	1	1	1	1	1	1	1	1			

## ELECTRICAL PARTS



1. The part quantity below indicates the required number of pieces per unit.
2. The circled No. indicates that the part is not shown in the figure.

No.	Parts No.	Parts Name	PLFY-WL06NEMU-E.TH	PLFY-WL08NEMU-E.TH	PLFY-WL12NEMU-E.TH	PLFY-WL15NEMU-E.TH	PLFY-WL18NEMU-E.TH	PLFY-WL24NEMU-E.TH	PLFY-WL30NEMU-E.TH	PLFY-WL36NEMU-E.TH	PLFY-WL48NEMU-E.TH	Wiring Diagram Symbol	Remarks [Drawing No.]
1	E27 14B 375	TERMINAL BLOCK	1	1	1	1	1	1	1	1	1	TB2	2P (L1, L2)
2	E27 78R 382	FUSE	1	1	1	1	1	1	1	1	1	FUSE	6.3A, 250V
3	E27 64U 447	INDOOR CONTROLLER BOARD	1	1	1	1	1	1	1	1	1	I.B	
4	E27 K15 308	ROOM TEMP. THERMISTOR	1	1	1	1	1	1	1	1	1	TH21	
5	E27 K17 449	CONTROLLER COVER	1	1	1	1	1	1	1	1	1		
6	E27 64U 777	ELECTRICAL CONTROL BOX	1	1	1	1	1	1	1	1	1		
7	E27 64U 289	BOARD CASE	1	1	1	1	1	1	1	1	1		

Parts name	Parts No.
MULTI FUNCTION CASEMENT	PAC-SJ41TM-E
AIR OUTLET SHUTTER PLATE	PAC-SJ37SP-E
HIGH EFFICIENCY FILTER (PAC-SH53TM-E is required in using this optional part.)	PAC-SH59KF-E
FLANGE FOR FRESH AIR INTAKE	PAC-SH65OF-E
WIRED REMOTE CONTROLLER (MA REMOTE CONTROLLER)	PAR-41MAA
WIRED REMOTE CONTROLLER (SIMPLE MA REMOTE CONTROLLER)	PAC-YT53CRAU
WIRED REMOTE CONTROLLER (ME REMOTE CONTROLLER)	PAR-U01MEDU
GRILLE (3D i-See sensor panel) [Panel color: Munsell 1.0Y 9.2/0.2]	PLP-41EAEU
WIRELESS REMOTE CONTROLLER	PAR-SL101A-E
WIRELESS SIGNAL RECEIVER (CORNER PANEL)	PAR-SR4LU-E

## MITSUBISHI ELECTRIC CORPORATION

HEAD OFFICE: TOKYO BUILDING, 2-7-3, MARUNOUCHI, CHIYODA-KU, TOKYO 100-8310, JAPAN

MITSUBISHI ELECTRIC CONSUMER PRODUCTS (THAILAND) CO., LTD.  
700/406 MOO 7, TAMBON DON HUA ROH,  
AMPHUR MUANG, CHONBURI 20000 THAILAND  
Published: Jun. 2023 No. TCB124  
Made in Thailand

Specifications are subject to change without notice.