

PARTS CATALOG

<Outdoor unit>

[Model Name]

[Service Ref.]

PUMY-P36NKMU4

PUMY-P36NKMU4

PUMY-P48NKMU4

PUMY-P48NKMU4

PUMY-P60NKMU4

PUMY-P60NKMU4

PUMY-HP36NKMU2

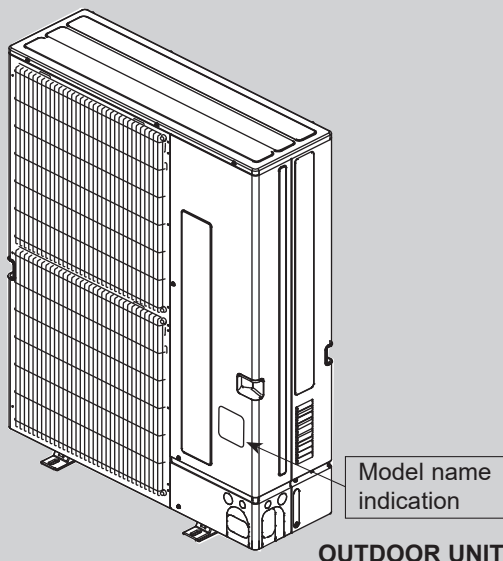
PUMY-HP36NKMU2

PUMY-HP42NKMU2

PUMY-HP42NKMU2

PUMY-HP48NKMU2

PUMY-HP48NKMU2



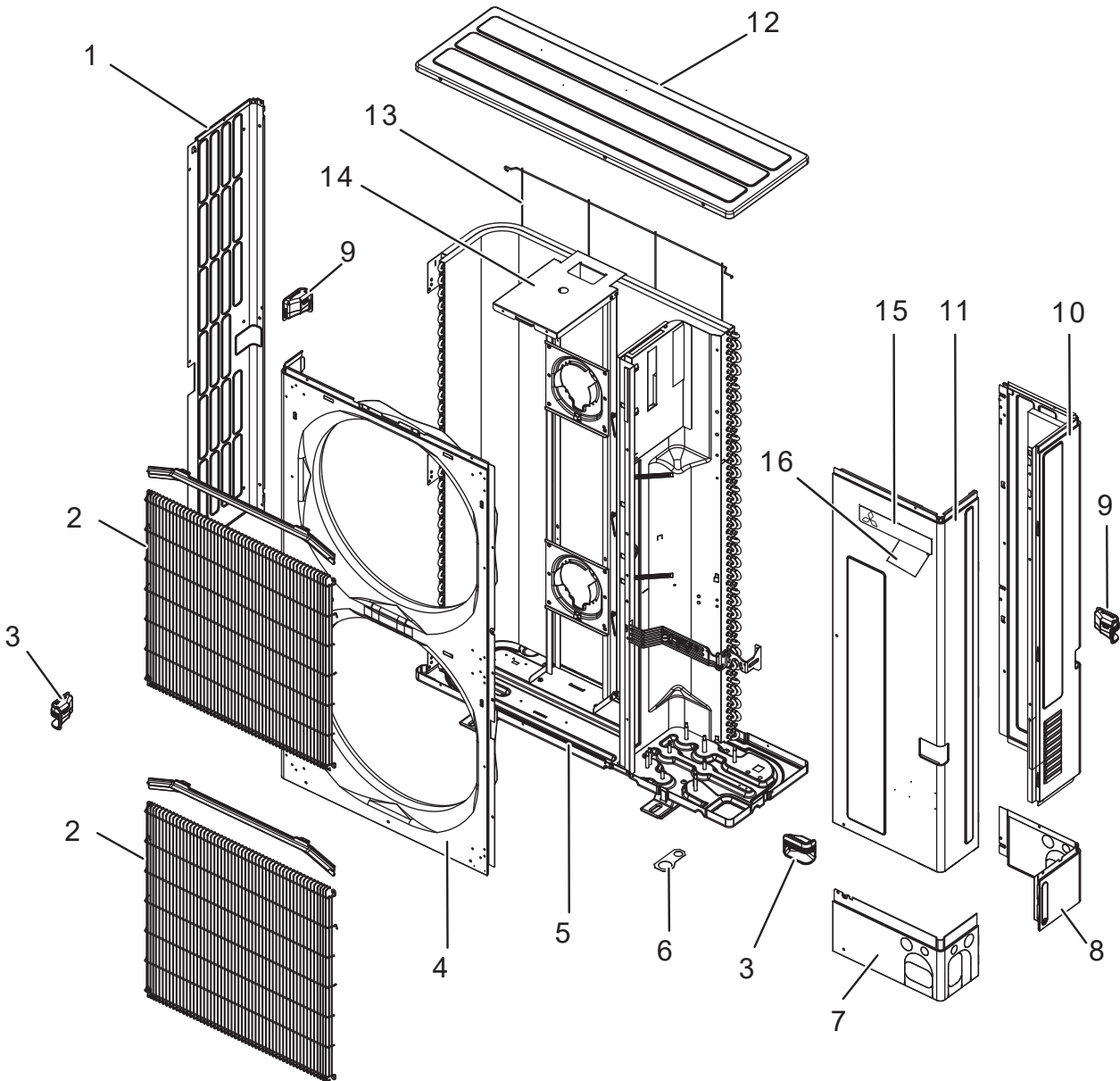
CONTENTS

1. SERVICE PARTS LIST 2
2. OPTIONAL PARTS 10

SERVICE MANUAL (OCH811)

STRUCTURAL PARTS

PUMY-P36NKMU4
PUMY-P48NKMU4
PUMY-P60NKMU4
PUMY-HP36NKMU2
PUMY-HP42NKMU2
PUMY-HP48NKMU2

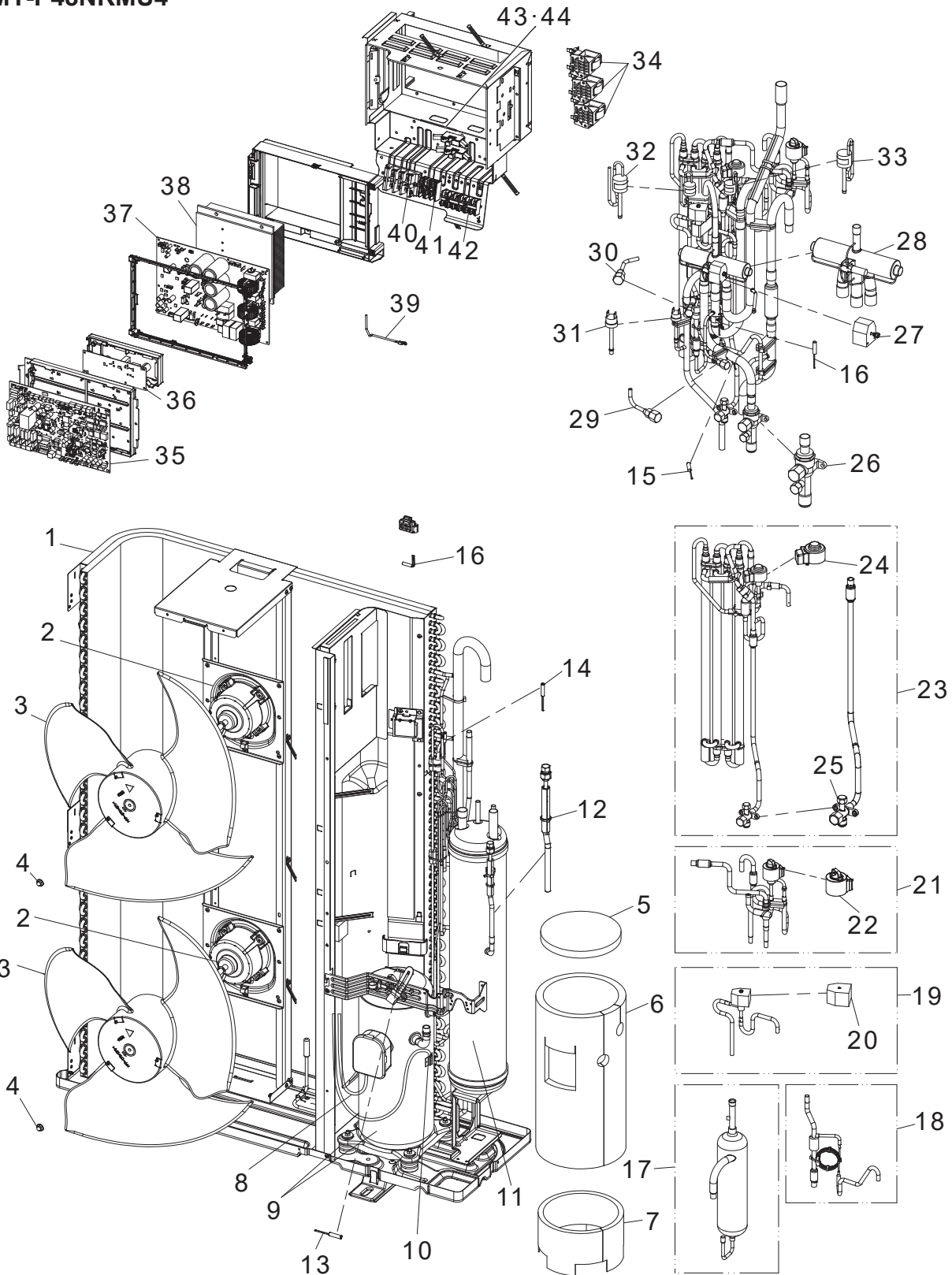


1. The part quantity below indicates the required number of pieces per unit.
2. The circled No. indicates that the part is not shown in the figure.

No.	Parts No.	Parts Name	PUMY-P36NKMU4	PUMY-P48NKMU4	PUMY-P60NKMU4	PUMY-HP36NKMU2	PUMY-HP42NKMU2	PUMY-HP48NKMU2	Remarks
1	R 0 1 E 3 0 6 6 2	SIDE PANEL (L)	1	1	1	1	1	1	
2	R 0 1 E 7 3 6 9 1	WIRE GRILLE	2	2	2	2	2	2	
3	R 0 1 E 0 5 6 5 5	HANDLE (FRONT)	2	2	2	2	2	2	
4	R 0 1 E 2 3 6 6 8	FRONT PANEL	1	1	1	1	1	1	
5	T 7 W E 3 5 6 8 6	BASE ASSY	1	1	1	1	1	1	
6	T 7 W E 0 5 6 1 7	CONDUIT PLATE	1	1	1	1	1	1	
7	R 0 1 E 3 5 6 5 8	COVER PANEL (FRONT)	1	1	1	1	1	1	
8	R 0 1 E 3 6 6 5 8	COVER PANEL (REAR)	1	1	1	1	1	1	
9	R 0 1 E 0 6 6 5 5	HANDLE (REAR)	2	2	2	2	2	2	
10	R 0 1 E 8 1 6 6 1	SIDE PANEL (R)	1	1					
10	R 0 1 E 7 4 6 6 1	SIDE PANEL (R)			1	1	1	1	
11	T 7 W E 2 8 6 6 8	SERVICE PANEL	1	1					
11	T 7 W E 2 5 6 6 8	SERVICE PANEL			1	1	1	1	
12	R 0 1 E 3 6 6 4 1	TOP PANEL	1	1	1	1	1	1	
13	R 0 1 E 1 0 6 9 8	REAR GUARD	1	1	1	1	1	1	
14	R 0 1 E 5 9 1 3 0	MOTOR SUPPORT	1	1		1	1	1	
14	R 0 1 E 6 0 1 3 0	MOTOR SUPPORT			1				
15	R 0 1 A 0 6 0 0 5	BRAND LABEL (CITY M)	1	1	1	1	1	1	
16	T 7 W A 1 0 0 0 5	LABEL (H2I)				1	1	1	

FUNCTIONAL PARTS

PUMY-P36NKMU4
PUMY-P48NKMU4

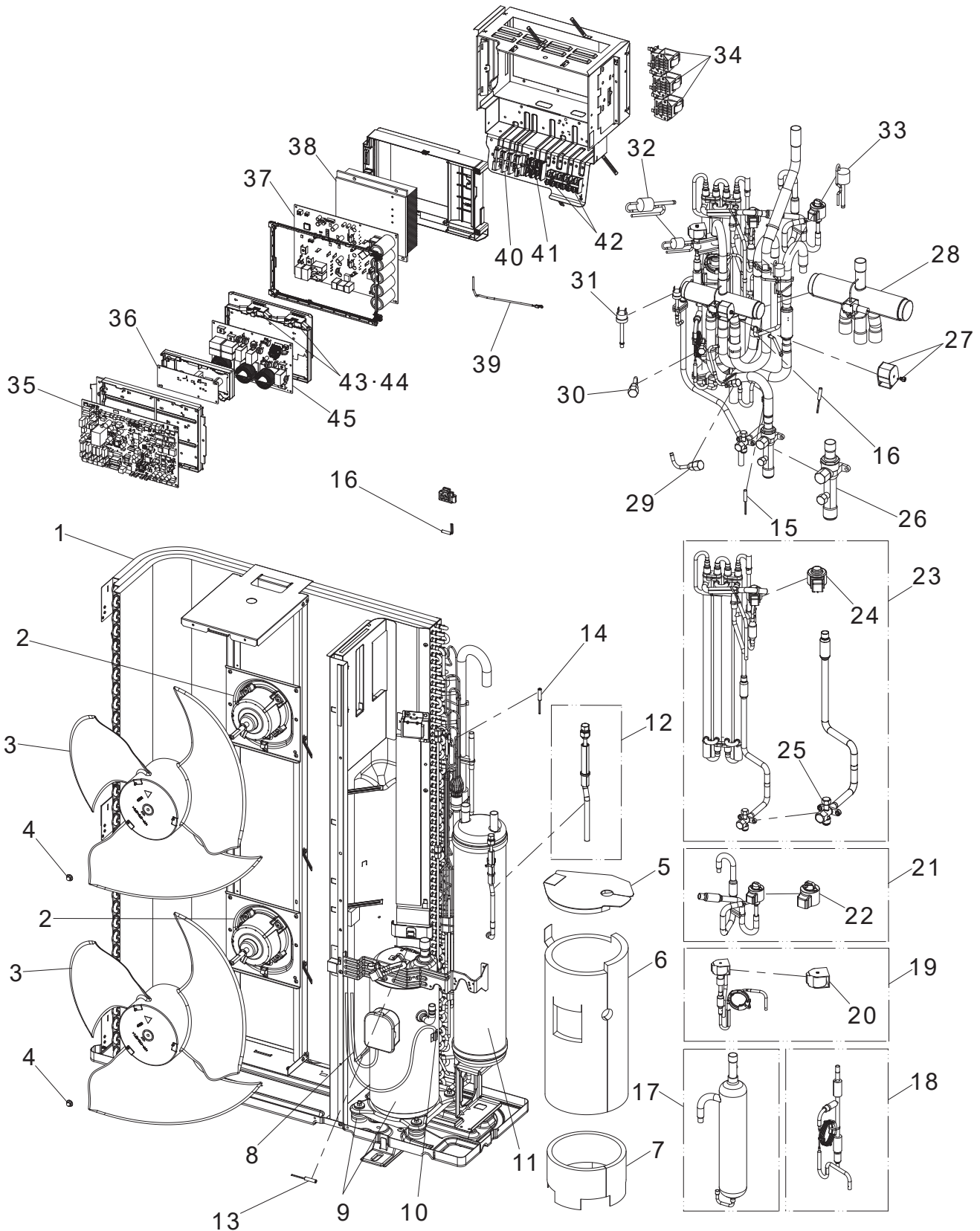


1. The part quantity below indicates the required number of pieces per unit.
2. The circled No. indicates that the part is not shown in the figure.

No.	Parts No.	Parts Name	PUMY-P36NKMU4	PUMY-P48NKMU4	Wiring Diagram Symbol	Remarks
1	R 0 1 R 6 5 4 0 8	HEAT EXCHANGER	1	1		
2	T 7 W A 1 0 2 2 1	FAN MOTOR	2	2	MF1, MF2	
3	R 0 1 E 1 6 1 1 5	PROPELLER FAN/D550	2	2		
4	R 0 1 E 1 6 0 9 7	CAP NUT (MEC) M6	2	2		
5	R 0 1 T 0 8 6 0 2	COMP FELT/TOP	1	1		
6	T 7 W B 1 9 6 0 2	COMP FELT-B/ANB33FNQ	1	1		
7	R 0 1 U 0 0 6 0 2	COMP FELT-U/ANB	1	1		
8	R 0 1 C 1 1 5 1 0	LEAD ASSY COMP	1	1		
9	T 9 7 4 A 0 0 2 0	COMPRESSOR	1	1	MC	ANB33FNQMT Includes RUBBER MOUNT
10	T 7 W E 3 2 2 0 1	TRS ASSY	1	1	TRS	
11	T 7 W E 3 2 4 4 0	ACCUMULATOR	1	1		
12	T 7 W F 0 0 4 1 9	FUSIBLE ASSY	1	1		
13	R 0 1 E 3 6 2 0 1	THERMISTOR/SHELL	1	1	TH4 (Compressor)	
14	R 0 1 H 8 7 2 0 2	THERMISTOR	1	1	TH3 (Outdoor Liquid Pipe)	
15	R 0 1 M 3 0 2 0 2	THERMISTOR	1	1	TH2 (HIC Pipe)	
16	R 0 1 M 3 1 2 0 2	THERMISTOR W	1	1	TH6 (Suction Pipe) TH7 (Ambient)	Combined Port
17	R 0 1 E 1 6 4 9 0	OIL SEPARATOR	1	1		
18	R 0 1 E 0 2 4 2 6	CT ASSY	1	1		
19	T 7 W E 1 1 4 2 8	SV1 ASSY	1	1	SV1	
20	T 7 W E 9 1 2 4 2	SOLENOID COIL (SV)	1	1	SV1	Includes SCREW
21	R 0 1 R 2 7 4 0 1	LEV ASSY-A	1	1	LEV-A	
22	R 0 1 H R 1 2 4 2	COIL (LEV)/XAP-5P WH	1	1	LEV-A	
23	T 7 W B 0 7 4 0 1	HIC & LEV-B ASSY	1	1	LEV-B	
24	R 0 1 H 5 8 2 4 2	COIL (LEV)/XAP-5P RED	1	1	LEV-B	
25	T 7 W E 1 5 4 1 0	STOP VALVE ASSY-3/8F	1	1		3/8
26	T 7 W E 1 1 4 1 1	BALL VALVE & STRAINER	1	1		5/8
27	T 7 W F 0 0 2 4 2	SOLENOID COIL (21S4)	1	1	21S4	Includes SCREW
28	R 0 1 E 4 0 4 0 3	4WAY VALVE	1	1	21S4	
29	T 7 W E 1 3 4 1 3	CHARGE PLUG/LB54	1	1		Lo
30	R 0 1 E 1 2 4 1 3	CHARGE PLUG/LB90	1	1		Hi
31	T 7 W E 1 5 2 0 8	H. P. SWITCH UL4.14MPA	1	1	63H	
32	R 0 1 E 1 4 2 0 8	H. P. SENSOR	1	1	63HS	
33	R 0 1 E 0 4 2 0 9	LOW PRESSURE SENSOR	1	1	63LS	
34	R 0 1 E 5 6 2 5 9	REACTOR	3	3	DCL	
35	T 7 W M 3 1 3 1 5	CONTROLLER BOARD	1	1	MULTI.B.	
36	R 0 1 E 1 0 3 1 1	M-NET POWER BOARD	1	1	M-NET P.B.	
37	R 0 1 M 0 7 3 5 3	POWER BOARD	1	1	P.B.	
38	R 0 1 A 2 2 3 7 1	HEAT SINK	1	1		Includes SCREWS
39	R 0 1 M 1 3 2 0 2	THERMISTOR (HS)	1	1	TH8 (Heat Sink)	
40	T 7 W P 0 5 2 4 6	T.B./L1.L2.E	1	1	TB1	3P (L1.L2.E)
41	T 7 W S 0 5 2 4 6	T.B./B1.B2.E	1	1	TB1B	3P (B1, B2, E)
42	R 0 1 E 2 7 2 4 6	T.B./M1.M2.S	2	2	TB3, TB7	3P (M1, M2, S)
43	R 0 1 E 2 3 2 3 9	FUSE 20 A 250 V	2	2	FUSE1, 2	20 A 250 V
44	R 0 1 E 0 0 2 4 1	FUSE HOLDER	2	2		

FUNCTIONAL PARTS

PUMY-P60NKMU4

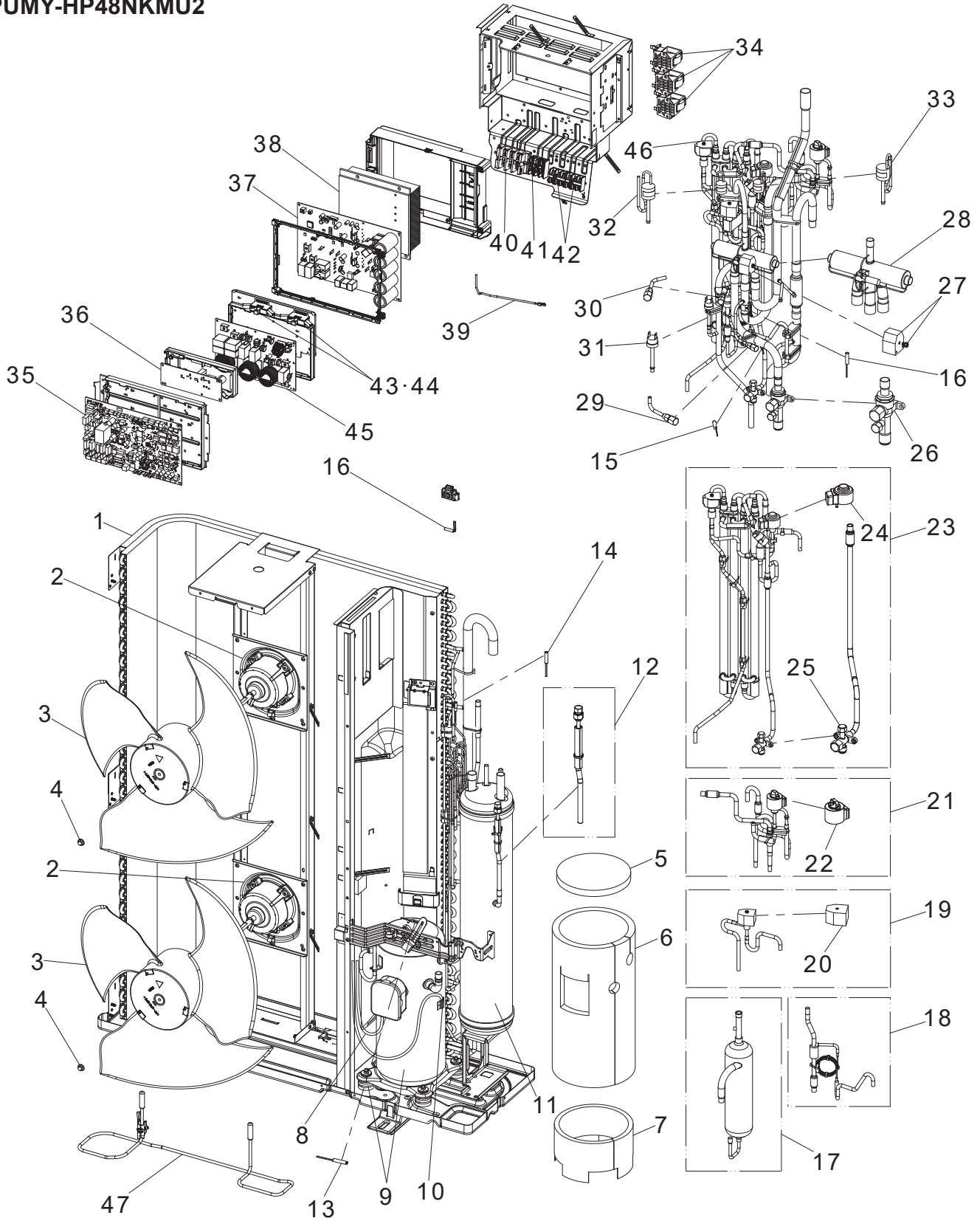


1. The part quantity below indicates the required number of pieces per unit.
2. The circled No. indicates that the part is not shown in the figure.

No.	Parts No.	Parts Name	PUMY-P60NKMU4	Wiring Diagram Symbol	Remarks
1	R 0 1 H 6 6 4 0 8	HEAT EXCHANGER	1		
2	T 7 W A 1 2 2 2 1	FAN MOTOR	2	MF1, MF2	
3	R 0 1 E 1 6 1 1 5	PROPELLER FAN/D550	2		
4	R 0 1 E 1 6 0 9 7	CAP NUT (MEC) M6	2		
5	R 0 1 T 1 1 6 0 2	COMP FELT-TOP/ANB	1		
6	T 7 W B 2 0 6 0 2	COMP FELT-B/ANB52FYF	1		
7	R 0 1 U 0 0 6 0 2	COMP FELT-U/ANB	1		
8	R 0 1 C 1 2 5 1 0	LEAD ASSY COMP	1		
9	T 9 7 4 A 0 0 2 2	COMPRESSOR	1	MC	ANB52FYFMT Includes RUBBER MOUNT
10	T 7 W E 3 3 2 0 1	TRS ASSY	1	TRS	
11	T 7 W E 3 3 4 4 0	ACCUMULATOR	1		
12	T 7 W F 0 0 4 1 9	FUSIBLE ASSY	1		
13	R 0 1 E 3 6 2 0 1	THERMISTOR/SHELL	1	TH4 (Compressor)	
14	R 0 1 H 8 7 2 0 2	THERMISTOR	1	TH3 (Outdoor Liquid Pipe)	
15	R 0 1 M 3 0 2 0 2	THERMISTOR	1	TH2 (HIC Pipe)	
16	R 0 1 M 3 1 2 0 2	THERMISTOR W	1	TH6 (Suction Pipe) TH7 (Ambient)	Combined Port
17	R 0 1 E 1 4 4 9 0	OIL SEPARATOR	1		
18	R 0 1 C 0 0 4 2 6	CT ASSY	1		
19	T 7 W E 1 2 4 2 8	SV1 ASSY	1	SV1	
20	T 7 W E 9 1 2 4 2	SOLENOID COIL (SV)	1	SV1	Includes SCREW
21	R 0 1 A 2 4 4 0 1	LEV ASSY-A/C-HIC	1	LEV-A	
22	R 0 1 H 3 9 2 4 2	COIL (LEV)/XAP-5P WH	1	LEV-A	
23	T 7 W B 0 8 4 0 1	HIC & LEV-B ASSY	1	LEV-B	
24	R 0 1 H 5 8 2 4 2	COIL (LEV)/XAP-5P RED	1	LEV-B	
25	T 7 W E 1 6 4 1 0	STOP VALVE ASSY-3/8F	1		3/8
26	T 7 W E 1 3 4 1 1	BALL VALVE & STRAINER	1		3/4
27	T 7 W F 0 0 2 4 2	SOLENOID COIL (21S4)	1	21S4	Includes SCREW
28	T 7 W E 0 9 4 0 3	4WAY VALVE	1	21S4	
29	R 0 1 E 1 2 4 1 3	CHARGE PLUG/LB90	1		Lo
30	R 0 1 E 1 2 4 1 3	CHARGE PLUG/LB90	1		Hi
31	T 7 W E 1 5 2 0 8	H. P. SWITCH UL4.14MPA	1	63H	
32	R 0 1 E 1 4 2 0 8	H. P. SENSOR	1	63HS	
33	R 0 1 E 0 4 2 0 9	LOW PRESSURE SENSOR	1	63LS	
34	R 0 1 E 5 6 2 5 9	REACTOR	3	DCL	
35	T 7 W M 3 2 3 1 5	CONTROLLER BOARD	1	MULTI.B.	
36	R 0 1 E 1 0 3 1 1	M-NET POWER BOARD	1	M-NET P.B.	
37	R 0 1 M 0 9 3 5 3	POWER BOARD	1	P.B.	
38	R 0 1 A 2 3 3 7 1	HEAT SINK	1		Includes SCREWS
39	R 0 1 M 1 6 2 0 2	THERMISTOR (HS)	1	TH8 (Heat Sink)	
40	T 7 W P 0 5 2 4 6	T.B./L1.L2.E	1	TB1	3P (L1.L2.E)
41	T 7 W S 0 5 2 4 6	T.B./B1.B2.E	1	TB1B	3P (B1, B2, E)
42	R 0 1 E 2 7 2 4 6	T.B./M1.M2.S	2	TB3, TB7	3P (M1, M2, S)
43	R 0 1 E 2 3 2 3 9	FUSE 20 A 250 V	2	FUSE1, 2	20 A 250 V
44	R 0 1 E 0 0 2 4 1	FUSE HOLDER	2		
45	T 7 W E 4 8 3 4 6	NOISE FILTER	1	N.F.	

FUNCTIONAL PARTS

PUMY-HP36NKMU2
PUMY-HP42NKMU2
PUMY-HP48NKMU2



1. The part quantity below indicates the required number of pieces per unit.
2. The circled No. indicates that the part is not shown in the figure.

No.	Parts No.	Parts Name	PUMY-HP36NKMU2	PUMY-HP42NKMU2	PUMY-HP48NKMU2	Wiring Diagram Symbol	Remarks
1	R 0 1 R 6 5 4 0 8	HEAT EXCHANGER	1	1	1		
2	T 7 W A 1 0 2 2 1	FAN MOTOR	2	2	2	MF1, MF2	
3	R 0 1 E 1 6 1 1 5	PROPELLER FAN/D550	2	2	2		
4	R 0 1 E 1 6 0 9 7	CAP NUT (MEC) M6	2	2	2		
5	R 0 1 T 0 8 6 0 2	COMP FELT/TOP	1	1	1		
6	T 7 W B 1 8 6 0 2	COMP FELT-B/ANB33FHD	1	1	1		
7	R 0 1 U 0 0 6 0 2	COMP FELT-U/ANB	1	1	1		
8	R 0 1 C 1 3 5 1 0	LEAD ASSY COMP	1	1	1		
9	T 9 7 4 A 0 0 2 1	COMPRESSOR	1	1	1	MC	ANB33FHDMT Includes RUBBER MOUNT
10	T 7 W E 3 3 2 0 1	TRS ASSY	1	1	1	TRS	
11	T 7 W E 3 2 4 4 0	ACCUMULATOR	1	1	1		
12	T 7 W F 0 0 4 1 9	FUSIBLE ASSY	1	1	1		
13	R 0 1 E 3 6 2 0 1	THERMISTOR/SHELL	1	1	1	TH4 (Compressor)	
14	R 0 1 H 8 7 2 0 2	THERMISTOR	1	1	1	TH3 (Outdoor Liquid Pipe)	
15	R 0 1 M 3 0 2 0 2	THERMISTOR	1	1	1	TH2 (HIC Pipe)	
16	R 0 1 M 3 1 2 0 2	THERMISTOR W	1	1	1	TH6 (Suction Pipe) TH7 (Ambient)	Combined Port
17	R 0 1 E 1 6 4 9 0	OIL SEPARATOR	1	1	1		
18	R 0 1 E 0 2 4 2 6	CT ASSY	1	1	1		
19	T 7 W E 1 1 4 2 8	SV1 ASSY	1	1	1	SV1	
20	T 7 W E 9 1 2 4 2	SOLENOID COIL (SV)	1	1	1	SV1	Includes SCREW
21	R 0 1 R 2 7 4 0 1	LEV ASSY-A	1	1	1	LEV-A	
22	R 0 1 H R 1 2 4 2	COIL (LEV)/XAP-5P WH	1	1	1	LEV-A	
23	T 7 W B 0 9 4 0 1	HIC & LEV-B ASSY	1	1	1	LEV-B	
24	R 0 1 H 5 8 2 4 2	COIL (LEV)/XAP-5P RED	1	1	1	LEV-B	
25	T 7 W E 1 5 4 1 0	STOP VALVE ASSY-3/8F	1	1	1		3/8
26	T 7 W E 1 1 4 1 1	BALL VALVE & STRAINER	1	1	1		5/8
27	T 7 W F 0 0 2 4 2	SOLENOID COIL (21S4)	1	1	1	21S4	Includes SCREW
28	R 0 1 E 4 0 4 0 3	4WAY VALVE	1	1	1	21S4	
29	T 7 W E 1 3 4 1 3	CHARGE PLUG/LB54	1	1	1		Lo
30	R 0 1 E 1 2 4 1 3	CHARGE PLUG/LB90	1	1	1		Hi
31	T 7 W E 1 5 2 0 8	H. P. SWITCH UL4.14MPA	1	1	1	63H	
32	R 0 1 E 1 4 2 0 8	H. P. SENSOR	1	1	1	63HS	
33	R 0 1 E 0 4 2 0 9	LOW PRESSURE SENSOR	1	1	1	63LS	
34	R 0 1 E 5 6 2 5 9	REACTOR	3	3	3	DCL	
35	T 7 W M 3 1 3 1 5	CONTROLLER BOARD	1	1	1	MULTI.B.	
36	R 0 1 E 1 0 3 1 1	M-NET POWER BOARD	1	1	1	M-NET P.B.	
37	R 0 1 M 0 8 3 5 3	POWER BOARD	1	1	1	P.B.	
38	R 0 1 A 2 3 3 7 1	HEAT SINK	1	1	1		Includes SCREWS
39	R 0 1 M 1 6 2 0 2	THERMISTOR (HS)	1	1	1	TH8 (Heat Sink)	
40	T 7 W P 0 5 2 4 6	T.B./L1.L2.E	1	1	1	TB1	3P (L1.L2.E)
41	T 7 W S 0 5 2 4 6	T.B./B1.B2.E	1	1	1	TB1B	3P (B1, B2, E)
42	R 0 1 E 2 7 2 4 6	T.B./M1.M2.S	2	2	2	TB3, TB7	3P (M1, M2, S)
43	R 0 1 E 2 3 2 3 9	FUSE 20 A 250 V	2	2	2	FUSE1, 2	20 A 250 V
44	R 0 1 E 0 0 2 4 1	FUSE HOLDER	2	2	2		
45	T 7 W E 4 7 3 4 6	NOISE FILTER	1	1	1	N.F.	
46	T 7 W E 7 2 2 4 2	SOLENOID COIL (SV)	1	1	1	SV2	Includes SCREW
47	T 7 W B 0 3 3 0 0	BASE HEATER	1	1	1	BH, THP	

Parts name	Parts No.
AIR OUTLET GUIDE*1	PAC-SH96SG-E
DRAIN SOCKET *2	PAC-SG61DS-E
CENTRALIZED DRAIN PAN*2	PAC-SH97DP-E
DEFROST HEATER	PAC-SJ20BH-E
2 BRANCH PIPE (Joint)	CMY-Y62-G-E
4 BRANCH PIPE (Joint)	CMY-Y64-G-E
8 BRANCH PIPE (Joint)	CMY-Y68-G-E
JOINT PIPE (Unit → Extension pipe)	MAC-A454JP-E (3/8 [ø9.52] → 1/2 [ø12.7])
	PAC-SG76RJ-E (3/8 [ø9.52] → 5/8 [ø15.88])
	PAC-SG75RJ-E (5/8 [ø15.88] → 3/4 [ø19.05])*3
	PAC-493PI (1/4 [ø6.35] → 3/8 [ø9.52])
	MAC-A456JP-E (1/2 [ø12.7] → 5/8 [ø15.88])
EXTERNAL LEV BOX	PAC-SG95LE-E

*1: Need 2 pieces

*2: Only for PUMY-P36/48/60 model

It cannot be used with DEFROST HEATER.

*3: Only for PUMY-P60

MITSUBISHI ELECTRIC CORPORATION

HEAD OFFICE: TOKYO BUILDING, 2-7-3, MARUNOUCHI, CHIYODA-KU, TOKYO 100-8310, JAPAN