

# SERVICE PARTS LIST FOR MITSUBISHI ELECTRIC PACKAGED AIR-CONDITIONERS

Series : PURY-EP•T(S)NU-A(-BS)  
PURY-EP•Y(S)NU-A(-BS)

For use with the R410A

REVISED

Nov. 2023

BWE01915A

## INDEX

PURY-EP192TNU-A(-BS)

PURY-EP216TNU-A(-BS)

PURY-EP240TNU-A(-BS)

PURY-EP192YNU-A(-BS)

PURY-EP216YNU-A(-BS)

PURY-EP240YNU-A(-BS)

Part information update day : 2023/11/17

Please change the old catalog (issued Feb. 2020, No.BWE019150) to this new catalog.  
Content of revision : Some of parts are changed.



## The Package name list

**PURY-EP384TSNU-A(-BS)** [PURY-EP192TNU-A(-BS)+PURY-EP192TNU-A(-BS)]

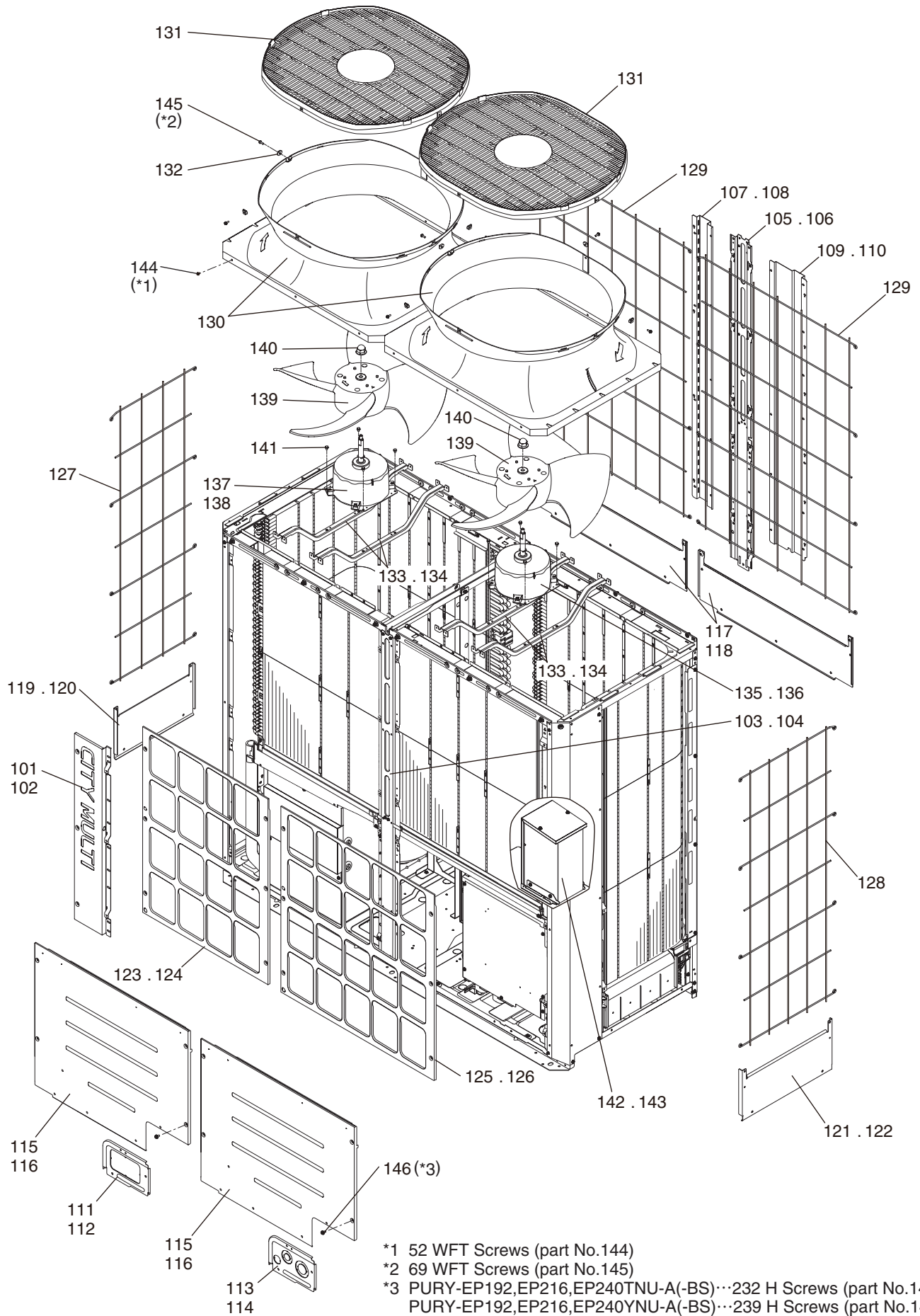
**PURY-EP432TSNU-A(-BS)** [PURY-EP216TNU-A(-BS)+PURY-EP216TNU-A(-BS)]

**PURY-EP384YSNU-A(-BS)** [PURY-EP192YNU-A(-BS)+PURY-EP192YNU-A(-BS)]

**PURY-EP432YSNU-A(-BS)** [PURY-EP216YNU-A(-BS)+PURY-EP216YNU-A(-BS)]

**PURY-EP192,EP216,EP240TNU-A(-BS)  
PURY-EP192,EP216,EP240YNU-A(-BS)**

**EXTERNAL PARTS & BLOWER PARTS (1)**



PURY-EP192,EP216,EP240TNU-A(-BS)  
PURY-EP192,EP216,EP240YNU-A(-BS)

EXTERNAL PARTS & BLOWER PARTS (1)

No.	Part No.	Part Name	Spec.							Dwg. No.	Notes for the models	Revision info.
				PURY-EP192TNU-A	PURY-EP192YNU-A-BS	PURY-EP216TNU-A	PURY-EP216YNU-A-BS	PURY-EP240TNU-A	PURY-EP240YNU-A-BS			
101	R61 043 626	Pillar LF2		1		1		1		KJ00F066G09		
102	R61 044 626	Pillar LF2	BS		1		1		1	KJ00F066G10		
103	R61 070 626	Pillar assy C		1		1		1		KS00L326G13		
104	R61 071 626	Pillar assy C	BS		1		1		1	KS00L326G14		
105	R61 072 626	Pillar C B		1		1		1		KB00C0X9G03		Chg.
106	R61 073 626	Pillar C B	BS		1		1		1	KB00C0X9G04		Chg.
107	R61 K09 480	Plate hex LB		1		1		1		KB00C0VLG01		
108	R61 K10 480	Plate hex LB	BS		1		1		1	KB00C0VLG02		
109	R61 K11 480	Plate hex RB		1		1		1		KB00C0VKG03		
110	R61 K12 480	Plate hex RB	BS		1		1		1	KB00C0VKG04		
111	R61 223 690	Piping cover		1		1		1		KJ00F431G03		
112	R61 224 690	Piping cover	BS		1		1		1	KJ00F431G05		Chg.
113	R61 250 690	Wiring cover		1		1		1		KJ00K050G03		
114	R61 251 690	Wiring cover	BS		1		1		1	KJ00K050G05		Chg.
115	R61 403 651	Panel F		2		2		2		KS00R550G07		
116	R61 406 651	Panel F	BS		2		2		2	KS00R550G08		
117	R61 480 651	Panel B		2		2		2		KB00C0VJG01		
118	R61 482 651	Panel B	BS		2		2		2	KB00C0VJG02		
119	R61 483 651	Panel L		1		1		1		KB00C0VHG01		
120	R61 484 651	Panel L	BS		1		1		1	KB00C0VHG02		
121	R61 485 651	Panel R		1		1		1		KB00C0VGG01		
122	R61 486 651	Panel R	BS		1		1		1	KB00C0VGG02		
123	R61 018 611	Fin guard		1		1		1		KD02B848H02		
124	R61 019 611	Fin guard	BS		1		1		1	KS00T209G02		
125	R61 024 611	Fin guard		1		1		1		KD02B851H02		
126	R61 025 611	Fin guard	BS		1		1		1	KS00T212G02		
127	R61 033 611	Fin guard L		1	1	1	1	1	1	KD07N289G01		
128	R61 034 611	Fin guard R		1	1	1	1	1	1	KD07N290G01		
129	R61 035 611	Fin guard B		2	2	2	2	2	2	KD07N291G01		
130	R61 005 119	Bell mouth		2	2	2	2	2	2	KB25A367H04		Chg.
131	R11 003 009	Fan guard		2	2	2	2	2	2	KB25V019H04		Chg.
132	R61 009 669	Plate fan guard		8	8	8	8	8	8	KD02D205H03		Chg.
133	R61 040 140	Base fan		4		4		4		KS02B161H01		
134	R61 041 140	Base fan	BS		4		4		4	KS02B161G01		
135	R61 378 220	Motor	DC920 T (RIGHT)	1	1	1	1	1	1	KMM00001B23		
136	R61 349 220	Motor	DC920 Y (RIGHT)							KMM00001B15		
137	R61 380 220	Motor	DC920 T (LEFT)	1	1	1	1	1	1	KMM00001B24		
138	R61 353 220	Motor	DC920 Y (LEFT)							KMM00001B16		
139	R61 047 114	Fan	700D	2	2	2	2	2	2	KB25A993H02		
140	R63 4H6 122	Box nut	M12 CH	2	2	2	2	2	2	P552000X01		
141	R63 014 087	Upset screw	M6 x 10	8	8	8	8	8	8	P516047X01		
142	R61 060 260	Trans box assy								KE00H427G01		
143	R61 061 260	Trans box assy	BS							KE00H427G02		
144	R63 006 087	WFT screw	M5 x 12(30pcs)	2	2	2	2	2	2	KB00H418G01	*1	
145	R63 029 087	WFT screw	M5 x 16(10pcs)	7	7	7	7	7	7	KD00H026G01	*2	

PURY-EP192,EP216,EP240TNU-A(-BS)  
PURY-EP192,EP216,EP240YNU-A(-BS)

EXTERNAL PARTS & BLOWER PARTS (1)

No.	Part No.	Part Name	Spec.	PURY-EP192TNU-A	PURY-EP216TNU-A	PURY-EP240TNU-A	PURY-EP192YNU-A	PURY-EP216YNU-A	PURY-EP240YNU-A	Dwg. No.	Notes for the models	Revision info.
146	R61 048 087	H screw	M5 x 10 KNURLED(30pcs)	8	8	8	8	8	8	KB00H418G14	*3	

PURY-EP192,EP216,EP240TNU-A(-BS)  
PURY-EP192,EP216,EP240YNU-A(-BS)

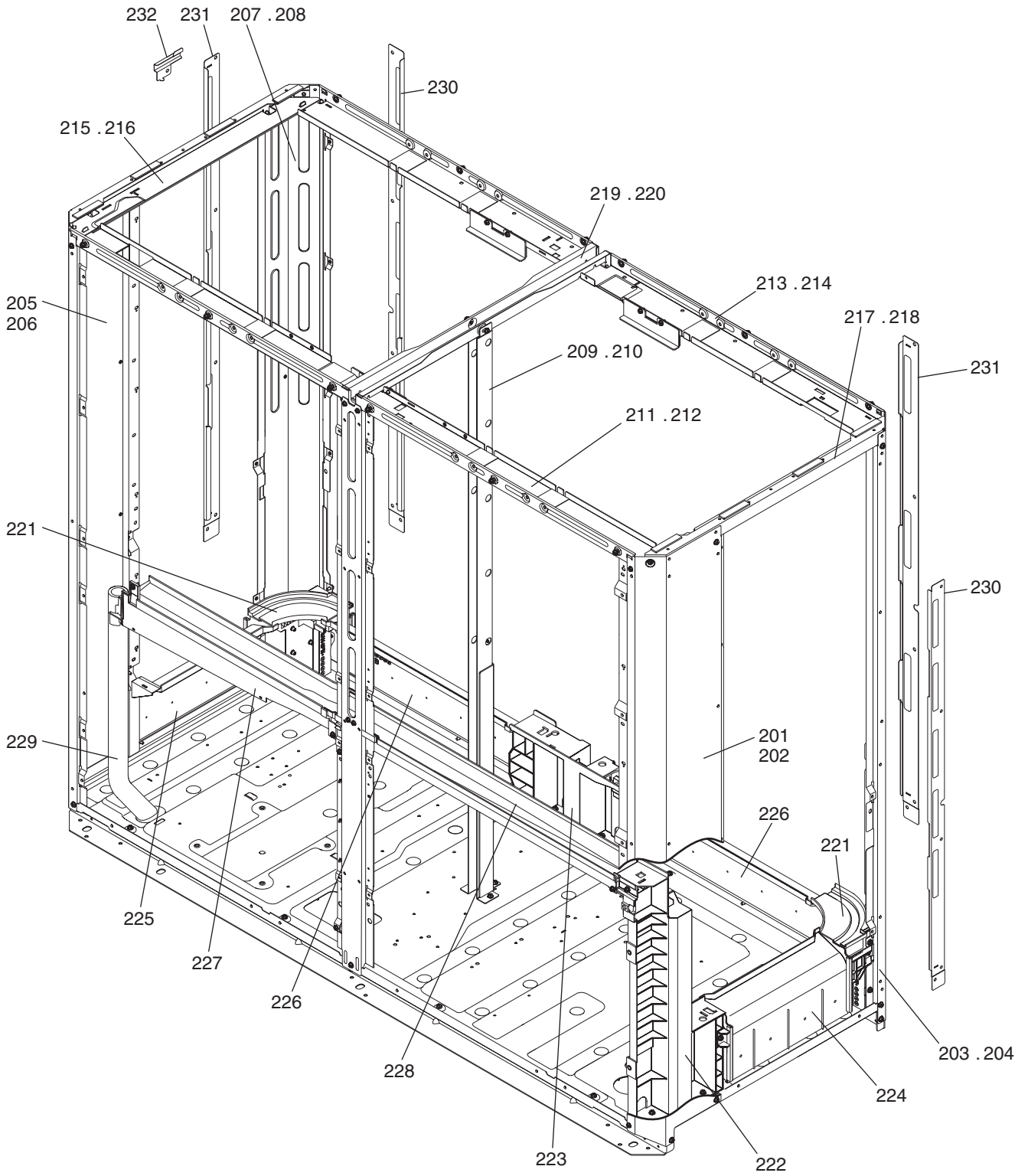
EXTERNAL PARTS & BLOWER PARTS (1)

No.	Part No.	Part Name	Spec.	PURY-EP192YNU-A	PURY-EP216YNU-A-BS	PURY-EP216YNU-A	PURY-EP216YNU-A-BS	PURY-EP240YNU-A	PURY-EP240YNU-A-BS	Dwg. No.	Notes for the models	Revision info.
101	R61 043 626	Pillar LF2		1		1		1		KJ00F066G09		
102	R61 044 626	Pillar LF2	BS		1		1		1	KJ00F066G10		
103	R61 070 626	Pillar assy C		1		1		1		KS00L326G13		
104	R61 071 626	Pillar assy C	BS		1		1		1	KS00L326G14		
105	R61 072 626	Pillar C B		1		1		1		KB00C0X9G03		Chg.
106	R61 073 626	Pillar C B	BS		1		1		1	KB00C0X9G04		Chg.
107	R61 K09 480	Plate hex LB		1		1		1		KB00C0VLG01		
108	R61 K10 480	Plate hex LB	BS		1		1		1	KB00C0VLG02		
109	R61 K11 480	Plate hex RB		1		1		1		KB00C0VKG03		
110	R61 K12 480	Plate hex RB	BS		1		1		1	KB00C0VKG04		
111	R61 223 690	Piping cover		1		1		1		KJ00F431G03		
112	R61 224 690	Piping cover	BS		1		1		1	KJ00F431G05		Chg.
113	R61 250 690	Wiring cover		1		1		1		KJ00K050G03		
114	R61 251 690	Wiring cover	BS		1		1		1	KJ00K050G05		Chg.
115	R61 403 651	Panel F		2		2		2		KS00R550G07		
116	R61 406 651	Panel F	BS		2		2		2	KS00R550G08		
117	R61 480 651	Panel B		2		2		2		KB00C0VJG01		
118	R61 482 651	Panel B	BS		2		2		2	KB00C0VJG02		
119	R61 483 651	Panel L		1		1		1		KB00C0VHG01		
120	R61 484 651	Panel L	BS		1		1		1	KB00C0VHG02		
121	R61 485 651	Panel R		1		1		1		KB00C0VGG01		
122	R61 486 651	Panel R	BS		1		1		1	KB00C0VGG02		
123	R61 018 611	Fin guard		1		1		1		KD02B848H02		
124	R61 019 611	Fin guard	BS		1		1		1	KS00T209G02		
125	R61 024 611	Fin guard		1		1		1		KD02B851H02		
126	R61 025 611	Fin guard	BS		1		1		1	KS00T212G02		
127	R61 033 611	Fin guard L		1	1	1	1	1	1	KD07N289G01		
128	R61 034 611	Fin guard R		1	1	1	1	1	1	KD07N290G01		
129	R61 035 611	Fin guard B		2	2	2	2	2	2	KD07N291G01		
130	R61 005 119	Bell mouth		2	2	2	2	2	2	KB25A367H04		Chg.
131	R11 003 009	Fan guard		2	2	2	2	2	2	KB25V019H04		Chg.
132	R61 009 669	Plate fan guard		8	8	8	8	8	8	KD02D205H03		Chg.
133	R61 040 140	Base fan		4		4		4		KS02B161H01		
134	R61 041 140	Base fan	BS		4		4		4	KS02B161G01		
135	R61 378 220	Motor	DC920 T (RIGHT)							KMM00001B23		
136	R61 349 220	Motor	DC920 Y (RIGHT)	1	1	1	1	1	1	KMM00001B15		
137	R61 380 220	Motor	DC920 T (LEFT)							KMM00001B24		
138	R61 353 220	Motor	DC920 Y (LEFT)	1	1	1	1	1	1	KMM00001B16		
139	R61 047 114	Fan	700D	2	2	2	2	2	2	KB25A993H02		
140	R63 4H6 122	Box nut	M12 CH	2	2	2	2	2	2	P552000X01		
141	R63 014 087	Upset screw	M6 x 10	8	8	8	8	8	8	P516047X01		
142	R61 060 260	Trans box assy		1		1		1		KE00H427G01		
143	R61 061 260	Trans box assy	BS		1		1		1	KE00H427G02		
144	R63 006 087	WFT screw	M5 x 12(30pcs)	2	2	2	2	2	2	KB00H418G01	*1	
145	R63 029 087	WFT screw	M5 x 16(10pcs)	7	7	7	7	7	7	KD00H026G01	*2	

**PURY-EP192,EP216,EP240TNU-A(-BS)**  
**PURY-EP192,EP216,EP240YNU-A(-BS)**

**EXTERNAL PARTS & BLOWER PARTS (1)**

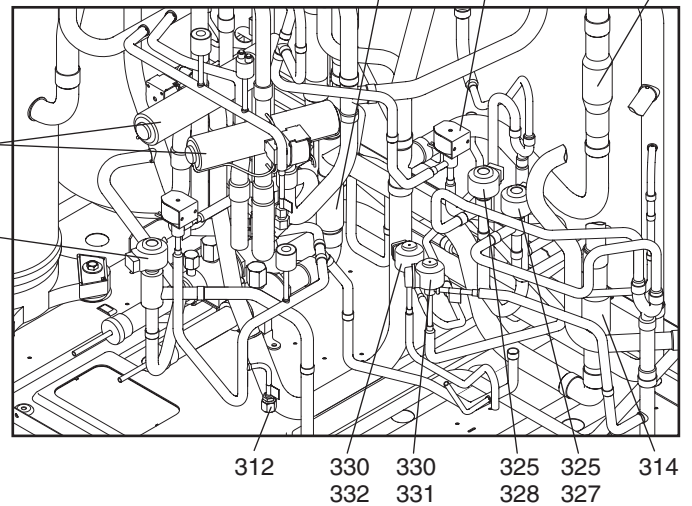
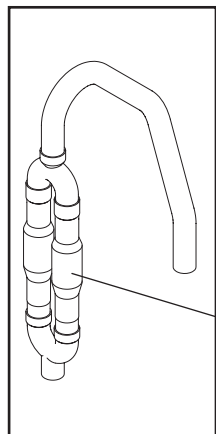
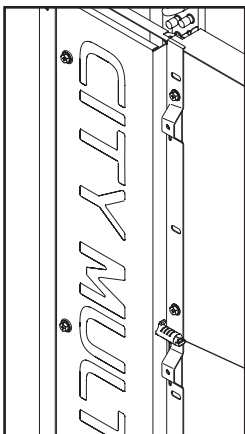
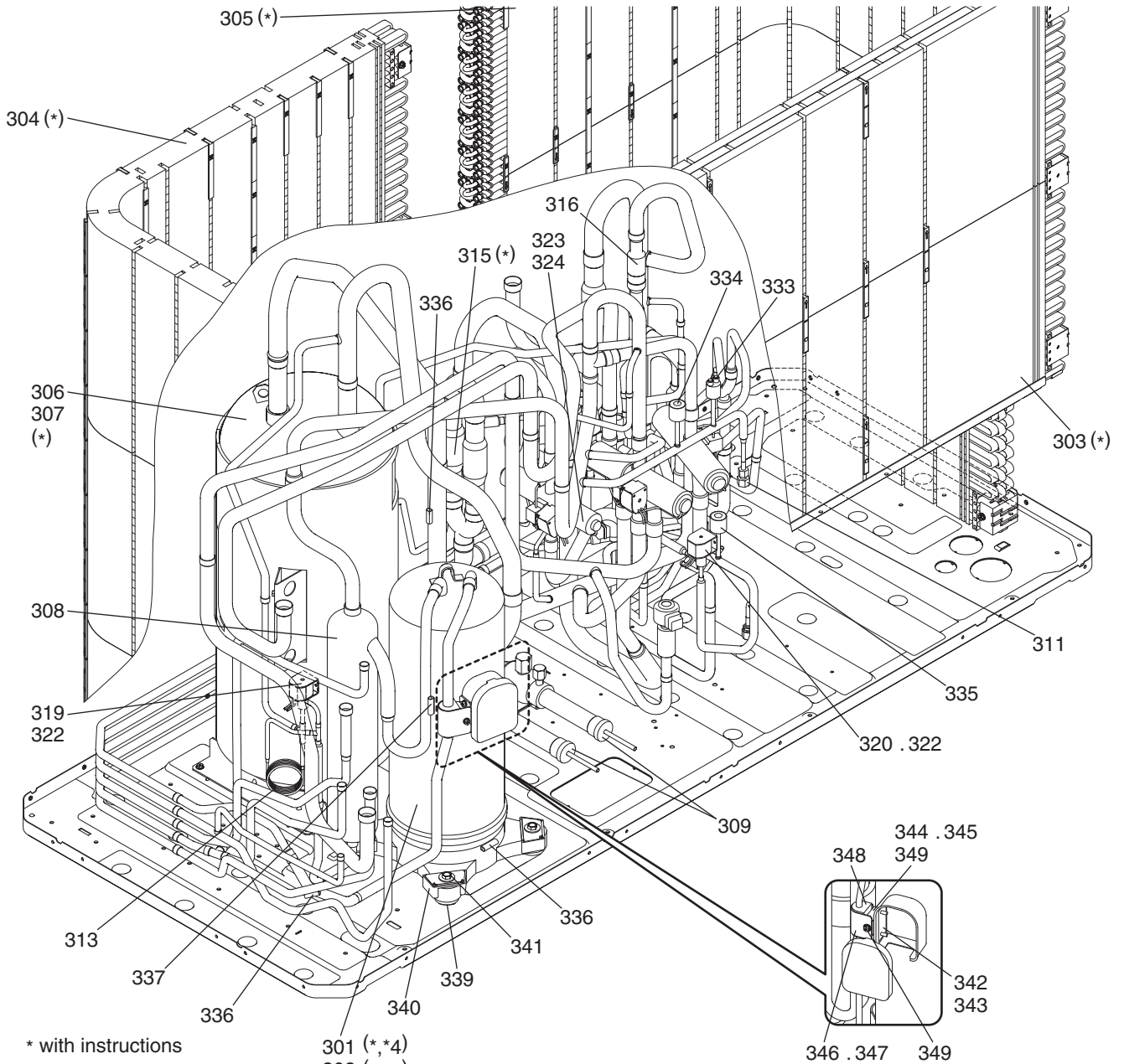
No.	Part No.	Part Name	Spec.	PURY-EP192YNU-A	PURY-EP216YNU-A+BS	PURY-EP216YNU-A	PURY-EP216YNU-A+BS	PURY-EP240YNU-A	PURY-EP240YNU-A+BS	Dwg. No.	Notes for the models	Revision info.
146	R61 048 087	H screw	M5 x 10 KNURLED(30pcs)	8	8	8	8	8	8	KB00H418G14	*3	





No.	Part No.	Part Name	Spec.	PURY-EP192TNU-A	PURY-EP192YNU-A-BS	PURY-EP216TNU-A	PURY-EP216YNU-A-BS	PURY-EP240TNU-A	PURY-EP240YNU-A-BS	Dwg. No.	Notes for the models	Revision info.
201	R61 074 626	Pillar RF		1		1		1		KS00R542G15		Chg.
202	R61 075 626	Pillar RF	BS		1		1		1	KS00R542G16		Chg.
203	R61 076 626	Pillar RB		1		1		1		KS00R543G09		
204	R61 077 626	Pillar RB	BS		1		1		1	KS00R543G10		
205	R61 078 626	Pillar LF1		1		1		1		KS00L325G13		
206	R61 079 626	Pillar LF1	BS		1		1		1	KS00L325G14		
207	R61 080 626	Pillar RF		1		1		1		KS00L323G13		Chg.
208	R61 081 626	Pillar RF	BS		1		1		1	KS00L323G14		Chg.
209	R61 061 626	Pillar assy M		1		1		1		KL00G138G03		
210	R61 062 626	Pillar assy M	BS		1		1		1	KS00R664G07		
211	R61 167 162	Frame assy F		1		1		1		KB00C0X6G03		Chg.
212	R61 168 162	Frame assy F	BS		1		1		1	KB00C0X6G04		Chg.
213	R61 169 162	Frame assy B		1		1		1		KB00C0X5G03		Chg.
214	R61 170 162	Frame assy B	BS		1		1		1	KB00C0X5G04		Chg.
215	R61 160 162	Frame assy L		1		1		1		KB00C02PG03		
216	R61 161 162	Frame assy L	BS		1		1		1	KB00C02PG04		
217	R61 164 162	Frame assy R		1		1		1		KB00C02QG03		
218	R61 165 162	Frame assy R	BS		1		1		1	KB00C02QG04		
219	R61 162 162	Frame assy C		1		1		1		KJ00K843G01		
220	R61 163 162	Frame assy C	BS		1		1		1	KJ00K843G02		
221	R61 016 670	Support HEX assy BRL		2	2	2	2	2	2	KB00C0YQG01		
222	R61 017 670	Support HEX assy RF		1	1	1	1	1	1	KB00C0YRG01		
223	R61 018 670	Support HEX assy B		1	1	1	1	1	1	KB00C0YPG01		
224	R61 487 651	Inner panel assy R		1	1	1	1	1	1	KB00C0YUG01		
225	R61 488 651	Inner panel assy L		1	1	1	1	1	1	KB00C0YTG01		
226	R61 489 651	Inner panel assy B		2	2	2	2	2	2	KB00C0YVG01		
227	R61 207 529	Drain pan front L		1	1	1	1	1	1	KB25Y192H02		
228	R61 197 529	Drain pan assy FR		1	1	1	1	1	1	KB00C0YSG01		
229	R61 272 690	DEF cover		1	1	1	1	1	1	KL33C263G04		
230	R61 273 690	Cover heater B1		2	2	2	2	2	2	KB00C0VPG01		
231	R61 274 690	Cover heater B2		2	2	2	2	2	2	KB00C0VQG01		
232	R61 253 690	Cover wiring assy		1	1	1	1	1	1	KL00T838G01		

No.	Part No.	Part Name	Spec.	PURY-EP192YNU-A	PURY-EP192YNU-A-BS	PURY-EP216YNU-A	PURY-EP216YNU-A-BS	PURY-EP240YNU-A	PURY-EP240YNU-A-BS	Dwg. No.	Notes for the models	Revision info.
201	R61 074 626	Pillar RF		1		1		1		KS00R542G15		Chg.
202	R61 075 626	Pillar RF	BS		1		1		1	KS00R542G16		Chg.
203	R61 076 626	Pillar RB		1		1		1		KS00R543G09		
204	R61 077 626	Pillar RB	BS		1		1		1	KS00R543G10		
205	R61 078 626	Pillar LF1		1		1		1		KS00L325G13		
206	R61 079 626	Pillar LF1	BS		1		1		1	KS00L325G14		
207	R61 080 626	Pillar RF		1		1		1		KS00L323G13		Chg.
208	R61 081 626	Pillar RF	BS		1		1		1	KS00L323G14		Chg.
209	R61 061 626	Pillar assy M		1		1		1		KL00G138G03		
210	R61 062 626	Pillar assy M	BS		1		1		1	KS00R664G07		
211	R61 167 162	Frame assy F		1		1		1		KB00C0X6G03		Chg.
212	R61 168 162	Frame assy F	BS		1		1		1	KB00C0X6G04		Chg.
213	R61 169 162	Frame assy B		1		1		1		KB00C0X5G03		Chg.
214	R61 170 162	Frame assy B	BS		1		1		1	KB00C0X5G04		Chg.
215	R61 160 162	Frame assy L		1		1		1		KB00C02PG03		
216	R61 161 162	Frame assy L	BS		1		1		1	KB00C02PG04		
217	R61 164 162	Frame assy R		1		1		1		KB00C02QG03		
218	R61 165 162	Frame assy R	BS		1		1		1	KB00C02QG04		
219	R61 162 162	Frame assy C		1		1		1		KJ00K843G01		
220	R61 163 162	Frame assy C	BS		1		1		1	KJ00K843G02		
221	R61 016 670	Support HEX assy BRL		2	2	2	2	2	2	KB00C0YQG01		
222	R61 017 670	Support HEX assy RF		1	1	1	1	1	1	KB00C0YRG01		
223	R61 018 670	Support HEX assy B		1	1	1	1	1	1	KB00C0YPG01		
224	R61 487 651	Inner panel assy R		1	1	1	1	1	1	KB00C0YUG01		
225	R61 488 651	Inner panel assy L		1	1	1	1	1	1	KB00C0YTG01		
226	R61 489 651	Inner panel assy B		2	2	2	2	2	2	KB00C0YVG01		
227	R61 207 529	Drain pan front L		1	1	1	1	1	1	KB25Y192H02		
228	R61 197 529	Drain pan assy FR		1	1	1	1	1	1	KB00C0YSG01		
229	R61 272 690	DEF cover		1	1	1	1	1	1	KL33C263G04		
230	R61 273 690	Cover heater B1		2	2	2	2	2	2	KB00C0VPG01		
231	R61 274 690	Cover heater B2		2	2	2	2	2	2	KB00C0VQG01		
232	R61 253 690	Cover wiring assy		1	1	1	1	1	1	KL00T838G01		



PURY-EP192,EP216,EP240TNU-A(-BS) FUNCTIONAL PARTS  
PURY-EP192,EP216,EP240YNU-A(-BS)

No.	Part No.	Part Name	Spec.	PURY-EP192TNU-A	PURY-EP192YNU-A-BS	PURY-EP216TNU-A	PURY-EP216YNU-A-BS	PURY-EP240TNU-A	PURY-EP240YNU-A-BS	Dwg. No.	Notes for the models	Revision info.
301	R69 226 478	Scroll compressor SP kit	HNK107FA2	1	1	1	1	1	1	EP10216B03	*,*4 208/230V	Chg.
302	R69 227 478	Scroll compressor SP kit	HNK107FA2-Y							EP10216B04	*,*5 460V	Chg.
303	R61 K06 480	Heat exchanger SP kit	2L F	1	1	1	1	1	1	KJ00M381G01	*	
304	R61 K07 480	Heat exchanger SP kit	2L L	1	1	1	1	1	1	KJ00M382G01	*	
305	R61 K08 480	Heat exchanger SP kit	2L R	1	1	1	1	1	1	KJ00M383G01	*	
306	R61 196 484	Accumulator assy SP kit		1		1		1		KS00D242G22	*	
307	R61 197 484	Accumulator assy SP kit	BS		1		1		1	KS00D242G23	*	
308	R61 066 487	Oil separator assy		1	1	1	1	1	1	KB00C1B9G01		
309	R61 019 410	Ball valve	SBV10-005	2	2	2	2	2	2	P636404X01	<BV1,2>	
310	R61 016 454	Strainer	28.6D	1	1	1	1	1	1	P641146X01	<ST1>	
311	R61 008 413	Check joint	TCJ-2GME-4	1	1	1	1	1	1	KR50C379H01	<CJ1>	
312	R63 R34 413	Check joint L	R410A	1	1	1	1	1	1	P666004X02	<CJ2>	
313	R61 030 425	Capillary tube assy		1	1	1	1	1	1	KJ49M349G01	<CP1>	
314	R61 065 418	Check valve	YBV-22Y9GMD-4	2	2	2	2	2	2	P639196X01	<CV3a,5a>	Chg.
315	R61 129 418	CV assy SP kit		1	1	1	1	1	1	KS00D243G10	<CV2a,2b>*	
316	R61 019 418	Check valve	UCV-A1507DQ4	1	1	1	1	1	1	P633135X01	<CV6a>	
317	R61 033 403	Four way valve A,B SP kit		2	2	2	2	2	2	KS00D244G07	<21S4a,b>*	
318	R61 020 242	Four way valve coil	STF-H01AQ2422UA1	2	2	2	2	2	2	P472130X01	<21S4a,b>	
319	R63 046 232	Solenoid valve	FDFA277	1	1	1	1	1	1	P631312X01	<SV1a>	
320	R13 018 921	Solenoid valve	FDFA4-016-RK	1	1	1	1	1	1	P631311X01	<SV2>	
321	R61 097 232	Solenoid valve	FDFA6A58	1	1	1	1	1	1	P631340X01	<SV10>	
322	R61 069 243	Solenoid valve coil	FQ-A0120D-001734-RK	3	3	3	3	3	3	P472129X01	<SV1a,2,10>	
323	R61 010 421	Two way valve	MHV-H1606BG	1	1	1	1	1	1	P637059X03	<SV3>	
324	R61 072 243	Two way valve coil	STF-01AQ512UA1	1	1	1	1	1	1	P472041X02	<SV3>	
325	R61 107 401	Linear expansion valve	PAM-BB0YGMD-2	2	2	2	2	2	2	KR50C486H01	<LEV2a,2b>	
326	R61 112 401	Linear expansion valve	PDM-BD130MD-1	1	1	1	1	1	1	P632630X01	<LEV2d>	
327	R61 142 401	Linear expansion valve coil	PAM-MD12MD-17	1	1	1	1	1	1	P472109X01	<LEV2a>	Chg.
328	R61 143 401	Linear expansion valve coil	PAM-MD12MD-18	1	1	1	1	1	1	P472110X01	<LEV2b>	Chg.
329	R61 145 401	Linear expansion valve coil	PAM-MD12MD-20	1	1	1	1	1	1	P472112X01	<LEV2d>	Chg.
330	R63 R34 401	Linear expansion valve	CAM-B35YGMD-2	2	2	2	2	2	2	P632416X01	<LEV4,9>	
331	R61 120 401	Linear expansion valve coil	CAM-MD12MD-128	1	1	1	1	1	1	P472131X01	<LEV4>	
332	R61 111 401	Linear expansion valve coil	CAM-MD12MD-125	1	1	1	1	1	1	P472113X01	<LEV9>	
333	R61 056 208	Pressure switch	ACB-1UB28W	1	1	1	1	1	1	P426320X02	<63H>	
334	R61 108 288	Pressure sensor	NSK-BH042D-501	1	1	1	1	1	1	KB00H904G36	<63HS>	
335	R61 109 288	Pressure sensor	NSK-BH017D-602	1	1	1	1	1	1	KB00H904G37	<63LS>	
336	R61 345 200	Thermistor	PXM-41E-M112-1Y	4	4	4	4	4	4	P418167X01	<TH3,5,7,15>	
337	R63 911 202	Thermistor		1	1	1	1	1	1	P425416X02	<TH4>	
338	R61 001 310	Sensor holder		1	1	1	1	1	1	KB25B471H04		Chg.
339	R63 852 860	Rubber mount		4	4	4	4	4	4	W897574H01	For compressor	
340	R61 027 155	Attachment (HH)		4	4	4	4	4	4	KJ00F713G04		
341	R61 009 306	Bolt	M6	4	4	4	4	4	4	KJ12F711H05		
342	R61 001 132	Attachment		1		1		1		KB02K008H01		
343	R61 002 132	Attachment	BS		1		1		1	KB02K008H02		
344	R61 005 609	Attachment Saddle		1		1		1		KL00L214G03		
345	R61 006 609	Attachment Saddle	BS		1		1		1	KL00L214G04		

PURY-EP192,EP216,EP240TNU-A(-BS)      FUNCTIONAL PARTS  
 PURY-EP192,EP216,EP240YNU-A(-BS)

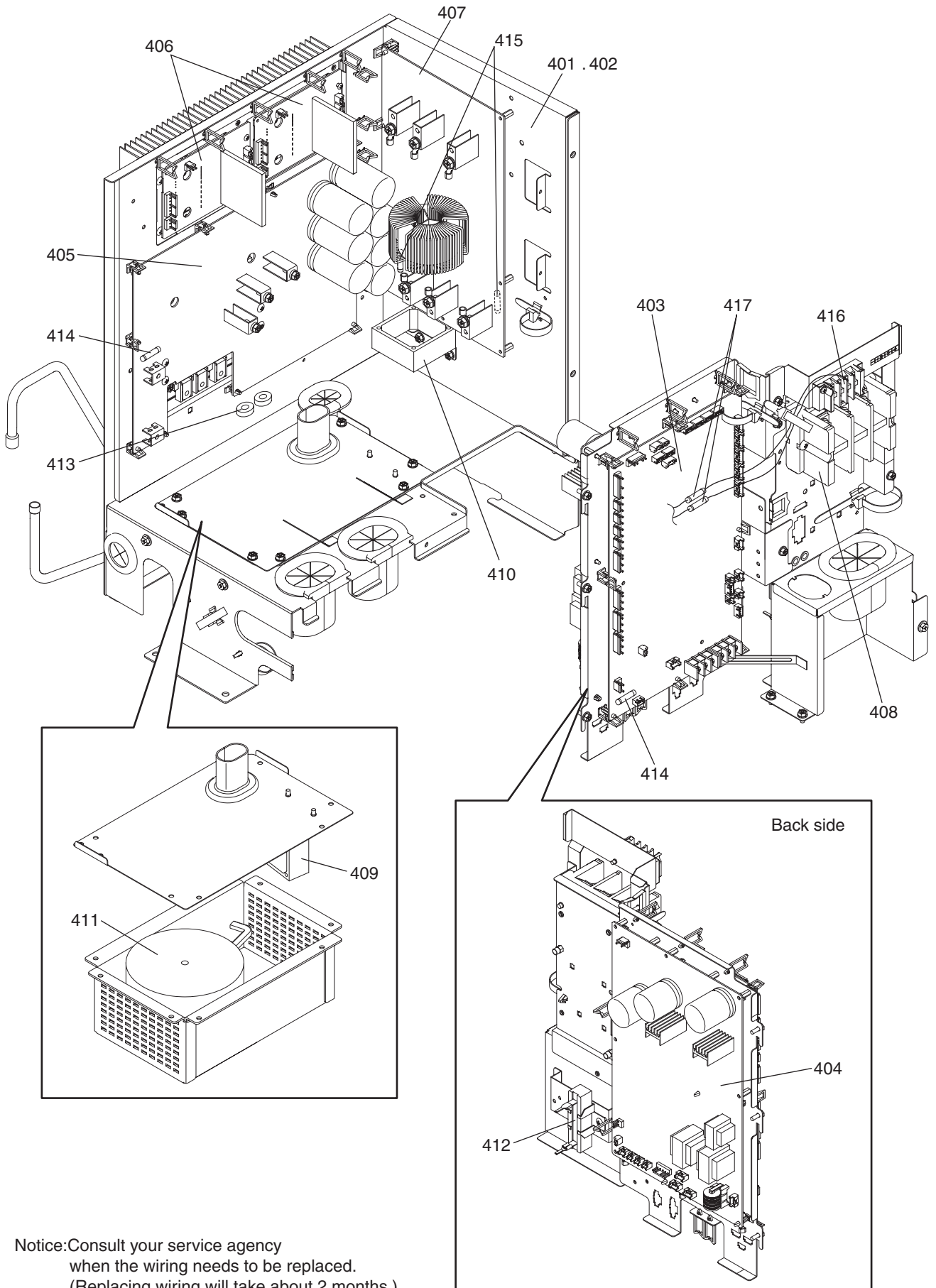
No.	Part No.	Part Name	Spec.	PURY-EP192TNU-A	PURY-EP192YNU-A(-BS)	PURY-EP216TNU-A	PURY-EP216YNU-A(-BS)	PURY-EP240TNU-A	PURY-EP240YNU-A(-BS)	Dwg. No.	Notes for the models	Revision info.
346	R61 003 456	Saddle		1		1		1		KJ02K540H01		
347	R61 004 456	Saddle	BS		1	1		1		KJ02K540H02		
348	R11 934 905	Packing		2	2	2	2	2	2	W483653G03		
349	R61 010 087	Screw upset	M5 x 12	3	3	3	3	3	3	S516322H01		

PURY-EP192,EP216,EP240TNU-A(-BS) FUNCTIONAL PARTS  
PURY-EP192,EP216,EP240YNU-A(-BS)

No.	Part No.	Part Name	Spec.	PURY-EP192YNU-A	PURY-EP216YNU-A-BS	PURY-EP216YNU-A	PURY-EP216YNU-A-BS	PURY-EP240YNU-A	PURY-EP240YNU-A-BS	Dwg. No.	Notes for the models	Revision info.
301	R69 226 478	Scroll compressor SP kit	HNK107FA2							EP10216B03	*,*4 208/230V	Chg.
302	R69 227 478	Scroll compressor SP kit	HNK107FA2-Y	1	1	1	1	1	1	EP10216B04	*,*5 460V	Chg.
303	R61 K06 480	Heat exchanger SP kit	2L F	1	1	1	1	1	1	KJ00M381G01	*	
304	R61 K07 480	Heat exchanger SP kit	2L L	1	1	1	1	1	1	KJ00M382G01	*	
305	R61 K08 480	Heat exchanger SP kit	2L R	1	1	1	1	1	1	KJ00M383G01	*	
306	R61 196 484	Accumulator assy SP kit		1				1		KS00D242G22	*	
307	R61 197 484	Accumulator assy SP kit	BS		1			1		KS00D242G23	*	
308	R61 066 487	Oil separator assy		1	1	1	1	1	1	KB00C1B9G01		
309	R61 019 410	Ball valve	SBV10-005	2	2	2	2	2	2	P636404X01	<BV1,2>	
310	R61 016 454	Strainer	28.6D	1	1	1	1	1	1	P641146X01	<ST1>	
311	R61 008 413	Check joint	TCJ-2GME-4	1	1	1	1	1	1	KR50C379H01	<CJ1>	
312	R63 R34 413	Check joint L	R410A	1	1	1	1	1	1	P666004X02	<CJ2>	
313	R61 030 425	Capillary tube assy		1	1	1	1	1	1	KJ49M349G01	<CP1>	
314	R61 065 418	Check valve	YBV-22Y9GMD-4	2	2	2	2	2	2	P639196X01	<CV3a,5a>	Chg.
315	R61 129 418	CV assy SP kit		1	1	1	1	1	1	KS00D243G10	<CV2a,2b>*	
316	R61 019 418	Check valve	UCV-A1507DQ4	1	1	1	1	1	1	P633135X01	<CV6a>	
317	R61 033 403	Four way valve A,B SP kit		2	2	2	2	2	2	KS00D244G07	<21S4a,b>*	
318	R61 020 242	Four way valve coil	STF-H01AQ2422UA1	2	2	2	2	2	2	P472130X01	<21S4a,b>	
319	R63 046 232	Solenoid valve	FDFA2A77	1	1	1	1	1	1	P631312X01	<SV1a>	
320	R13 018 921	Solenoid valve	FDFA4-016-RK	1	1	1	1	1	1	P631311X01	<SV2>	
321	R61 097 232	Solenoid valve	FDFA6A58	1	1	1	1	1	1	P631340X01	<SV10>	
322	R61 069 243	Solenoid valve coil	FQ-A0120D-001734-RK	3	3	3	3	3	3	P472129X01	<SV1a,2,10>	
323	R61 010 421	Two way valve	MHV-H1606BG	1	1	1	1	1	1	P637059X03	<SV3>	
324	R61 072 243	Two way valve coil	STF-01AQ512UA1	1	1	1	1	1	1	P472041X02	<SV3>	
325	R61 107 401	Linear expansion valve	PAM-BB0YGMD-2	2	2	2	2	2	2	KR50C486H01	<LEV2a,2b>	
326	R61 112 401	Linear expansion valve	PDM-BD130MD-1	1	1	1	1	1	1	P632630X01	<LEV2d>	
327	R61 142 401	Linear expansion valve coil	PAM-MD12MD-17	1	1	1	1	1	1	P472109X01	<LEV2a>	Chg.
328	R61 143 401	Linear expansion valve coil	PAM-MD12MD-18	1	1	1	1	1	1	P472110X01	<LEV2b>	Chg.
329	R61 145 401	Linear expansion valve coil	PAM-MD12MD-20	1	1	1	1	1	1	P472112X01	<LEV2d>	Chg.
330	R63 R34 401	Linear expansion valve	CAM-B35YGMD-2	2	2	2	2	2	2	P632416X01	<LEV4,9>	
331	R61 120 401	Linear expansion valve coil	CAM-MD12MD-128	1	1	1	1	1	1	P472131X01	<LEV4>	
332	R61 111 401	Linear expansion valve coil	CAM-MD12MD-125	1	1	1	1	1	1	P472113X01	<LEV9>	
333	R61 056 208	Pressure switch	ACB-1UB28W	1	1	1	1	1	1	P426320X02	<63H>	
334	R61 108 288	Pressure sensor	NSK-BH042D-501	1	1	1	1	1	1	KB00H904G36	<63HS>	
335	R61 109 288	Pressure sensor	NSK-BH017D-602	1	1	1	1	1	1	KB00H904G37	<63LS>	
336	R61 345 200	Thermistor	PXM-41E-M112-1Y	4	4	4	4	4	4	P418167X01	<TH3,5,7,15>	
337	R63 911 202	Thermistor		1	1	1	1	1	1	P425416X02	<TH4>	
338	R61 001 310	Sensor holder		1	1	1	1	1	1	KB25B471H04		Chg.
339	R63 852 860	Rubber mount		4	4	4	4	4	4	W897574H01	For compressor	
340	R61 027 155	Attachment (HH)		4	4	4	4	4	4	KJ00F713G04		
341	R61 009 306	Bolt	M6	4	4	4	4	4	4	KJ12F711H05		
342	R61 001 132	Attachment		1				1		KB02K008H01		
343	R61 002 132	Attachment	BS		1			1		KB02K008H02		
344	R61 005 609	Attachment Saddle		1				1		KL00L214G03		
345	R61 006 609	Attachment Saddle	BS		1			1		KL00L214G04		

**PURY-EP192,EP216,EP240TNU-A(-BS) FUNCTIONAL PARTS**  
**PURY-EP192,EP216,EP240YNU-A(-BS)**

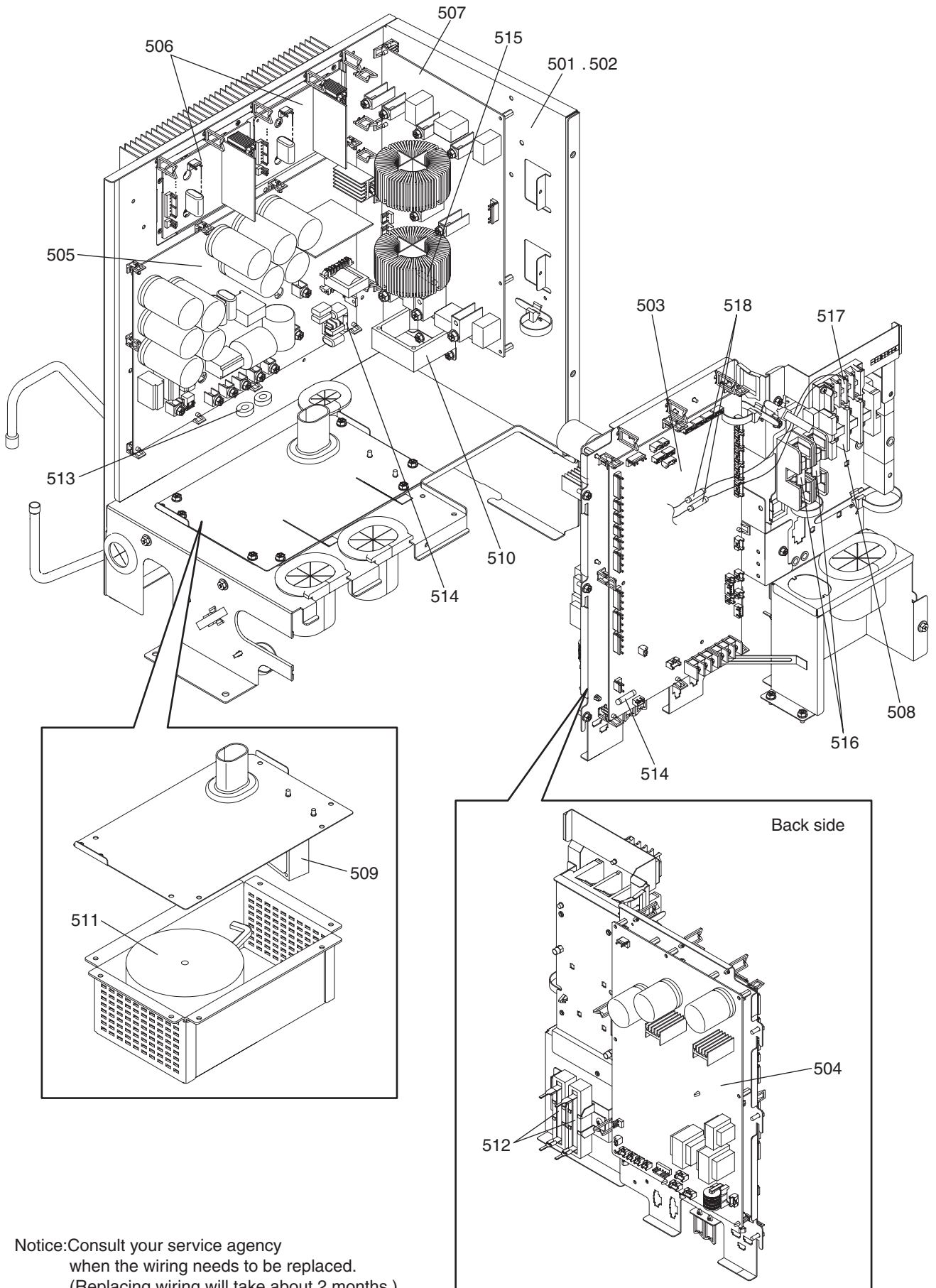
No.	Part No.	Part Name	Spec.	PURY-EP192YNU-A	PURY-EP216YNU-A-BS	PURY-EP240YNU-A	PURY-EP216YNU-A-BS	PURY-EP240YNU-A	PURY-EP216YNU-A-BS	Dwg. No.	Notes for the models	Revision info.
346	R61 003 456	Saddle		1		1		1		KJ02K540H01		
347	R61 004 456	Saddle	BS		1		1		1	KJ02K540H02		
348	R11 934 905	Packing		2	2	2	2	2	2	W483653G03		
349	R61 010 087	Screw upset	M5 x 12	3	3	3	3	3	3	S516322H01		



Notice: Consult your service agency  
 when the wiring needs to be replaced.  
 (Replacing wiring will take about 2 months.)



No.	Part No.	Part Name	Spec.	PURY-EP192TNU-A	PURY-EP192TNU-A-BS	PURY-EP216TNU-A	PURY-EP216TNU-A-BS	PURY-EP240TNU-A	PURY-EP240TNU-A-BS	Dwg. No.	Notes for the models	Revision info.
401	R61 E58 305	Control box	R-EP192/216/240	1		1		1		KE00J171GC3		
402	R61 E59 305	Control box	R-EP192/216/240 BS		1		1		1	KE00J171GC4		
403	R61 769 280	Control board		1	1	1	1	1	1	KE80G597G07	<MAIN12>	Chg.
404	R61 594 280	PS board		1	1	1	1	1	1	KE80G590G05	<PS board>	
405	R61 601 280	INV board		1	1	1	1	1	1	KE80G595G03	<INV39C>	
406	R61 591 280	Fan board		2	2	2	2	2	2	KE80G738G02	<INV/S16>	
407	R61 052 293	Noise filter		1	1	1	1	1	1	KE80G599G04	<Noise filter>	
408	R61 026 246	Terminal block		1	1	1	1	1	1	S436007H02	<TB1>	
409	R61 055 114	Fan		1	1	1	1	1	1	KR55C522H01	<FAN>	
410	R61 056 114	Fan		1	1	1	1	1	1	KR55C521H01	<FAN>	
411	R61 088 259	Reactor		1	1	1	1	1	1	KR65C523H02	<DCL>	
412	R63 670 234	Resistor		1	1	1	1	1	1	P411113X01	<R1>	
413	R61 015 287	AC Current sensor		1	1	1	1	1	1	P418087X01	<ACCT1,2>	
414	R61 018 239	Fuse	3.15A AC250V T	2	2	2	2	2	2	YE81D827H02		
415	R61 006 239	Fuse	6.3A AC250V T	2	2	2	2	2	2	S423001H42		
416	R61 054 246	Terminal block		1	1	1	1	1	1	KJ73K017G01		
417	R61 440 239	Fuse	1A AC250V T	2	2	2	2	2	2	S423004H03		



Notice: Consult your service agency  
 when the wiring needs to be replaced.  
 (Replacing wiring will take about 2 months.)



**mitsubishi**  
**electric**  
**corporation**

---

BWE01915A (20231130)