

# SERVICE PARTS LIST FOR MITSUBISHI ELECTRIC PACKAGED AIR-CONDITIONERS

Series : PURY-P·T(S)NU-A(-BS)  
PURY-P·Y(S)NU-A(-BS)

For use with the R410A

REVISED

July 2020

BWE01824A

## INDEX

PURY-P72TNU-A(-BS)  
PURY-P96TNU-A(-BS)  
PURY-P120TNU-A(-BS)  
PURY-P144TNU-A(-BS)  
PURY-P168TNU-A(-BS)  
PURY-P72YNU-A(-BS)  
PURY-P96YNU-A(-BS)  
PURY-P120YNU-A(-BS)  
PURY-P144YNU-A(-BS)  
PURY-P168YNU-A(-BS)

Part information update day : 2020/07/17



Please change the old catalog (issued Mar. 2019, No.BWE018240) to this new catalog.  
Content of revision : Some of parts are changed.

## The Package name list

**PURY-P192TSNU-A(-BS)** [PURY-P96TNU-A(-BS)+PURY-P96TNU-A(-BS)]

**PURY-P216TSNU-A(-BS)** [PURY-P96TNU-A(-BS)+PURY-P120TNU-A(-BS)]

**PURY-P240TSNU-A(-BS)** [PURY-P120TNU-A(-BS)+PURY-P120TNU-A(-BS)]

**PURY-P264TSNU-A(-BS)** [PURY-P120TNU-A(-BS)+PURY-P144TNU-A(-BS)]

**PURY-P288TSNU-A(-BS)** [PURY-P144TNU-A(-BS)+PURY-P144TNU-A(-BS)]

**PURY-P312TSNU-A(-BS)** [PURY-P144TNU-A(-BS)+PURY-P168TNU-A(-BS)]

**PURY-P336TSNU-A(-BS)** [PURY-P168TNU-A(-BS)+PURY-P168TNU-A(-BS)]

**PURY-P192YSNU-A(-BS)** [PURY-P96YNU-A(-BS)+PURY-P96YNU-A(-BS)]

**PURY-P216YSNU-A(-BS)** [PURY-P96YNU-A(-BS)+PURY-P120YNU-A(-BS)]

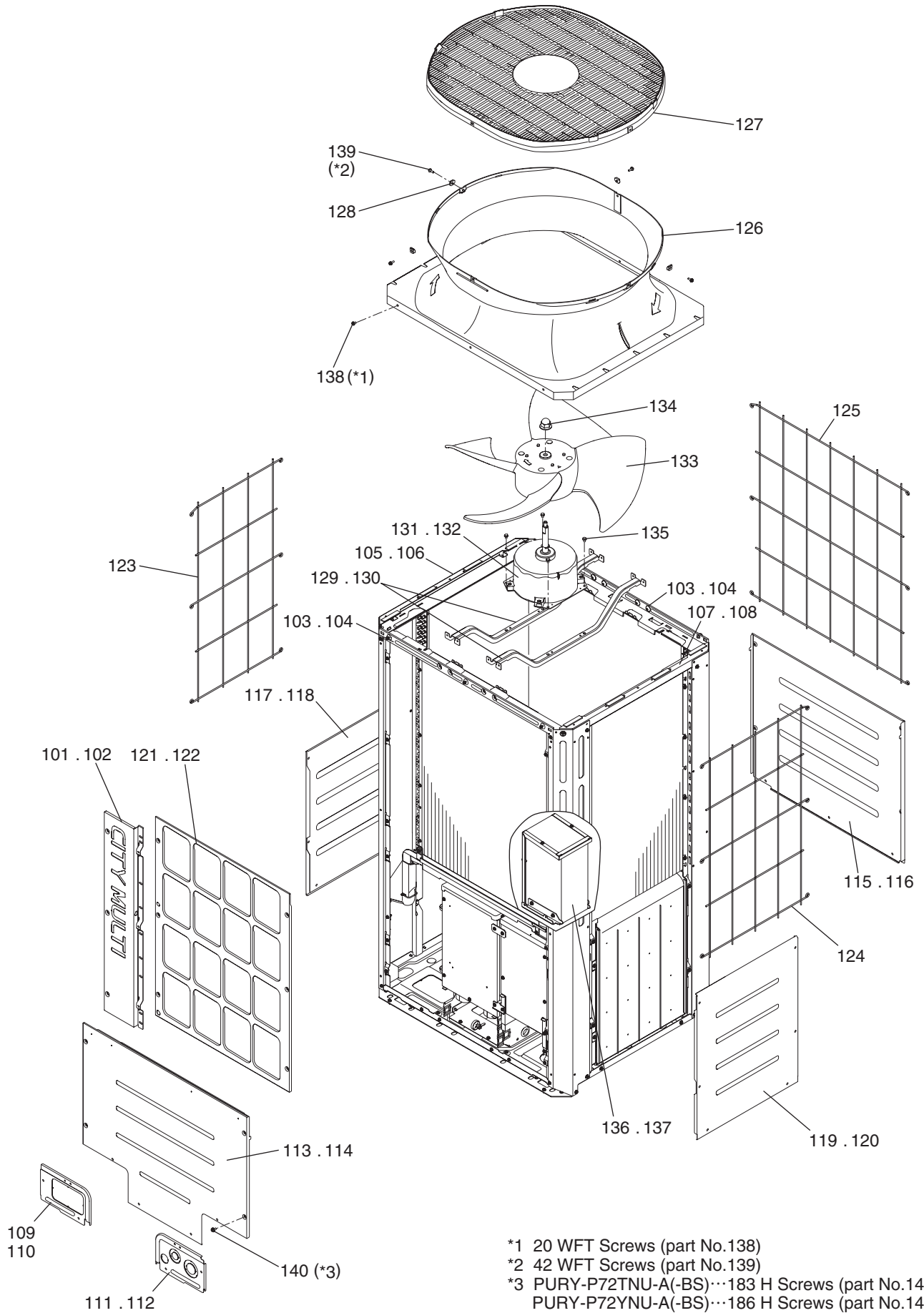
**PURY-P240YSNU-A(-BS)** [PURY-P120YNU-A(-BS)+PURY-P120YNU-A(-BS)]

**PURY-P264YSNU-A(-BS)** [PURY-P120YNU-A(-BS)+PURY-P144YNU-A(-BS)]

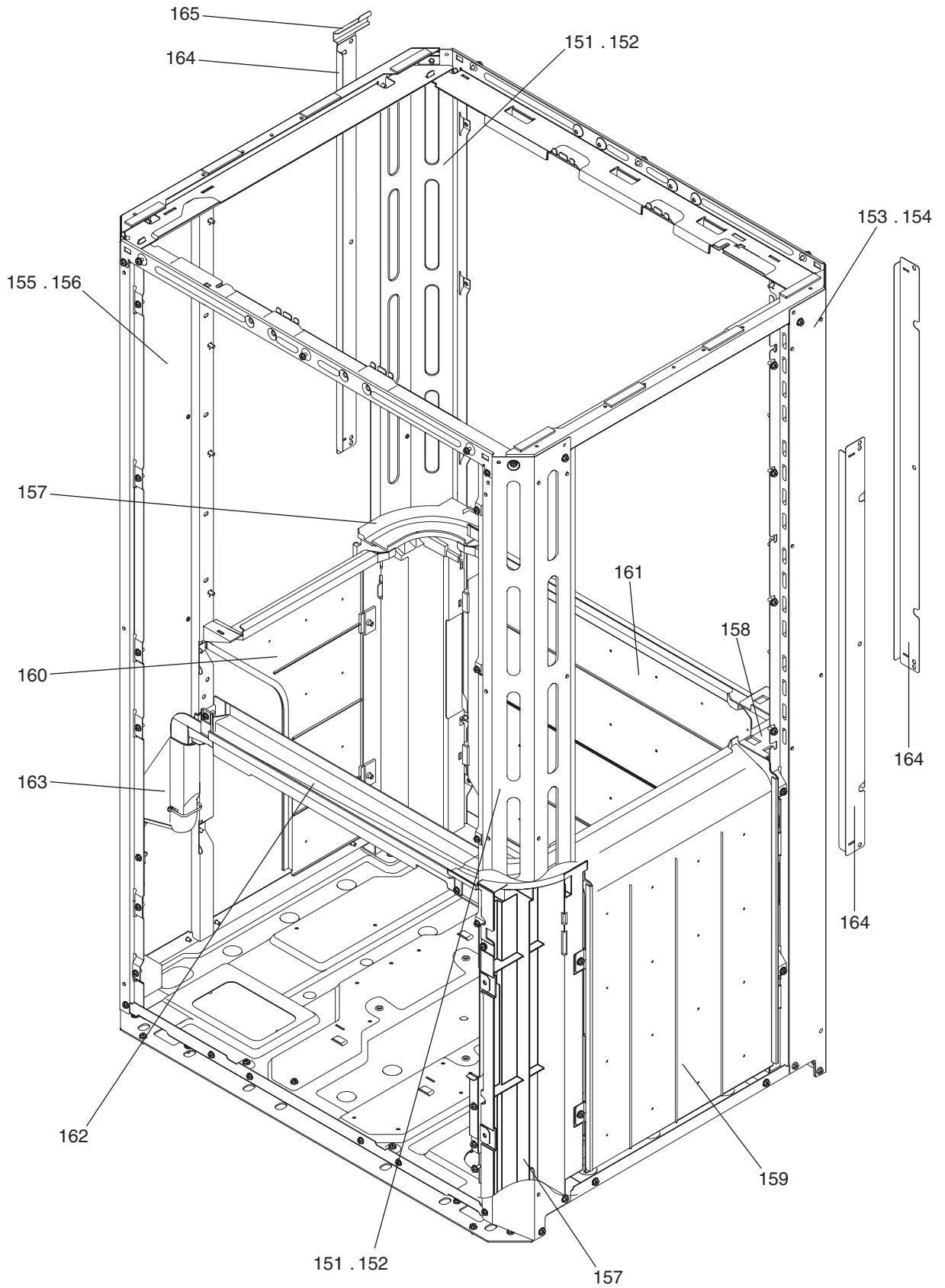
**PURY-P288YSNU-A(-BS)** [PURY-P144YNU-A(-BS)+PURY-P144YNU-A(-BS)]

**PURY-P312YSNU-A(-BS)** [PURY-P144YNU-A(-BS)+PURY-P168YNU-A(-BS)]

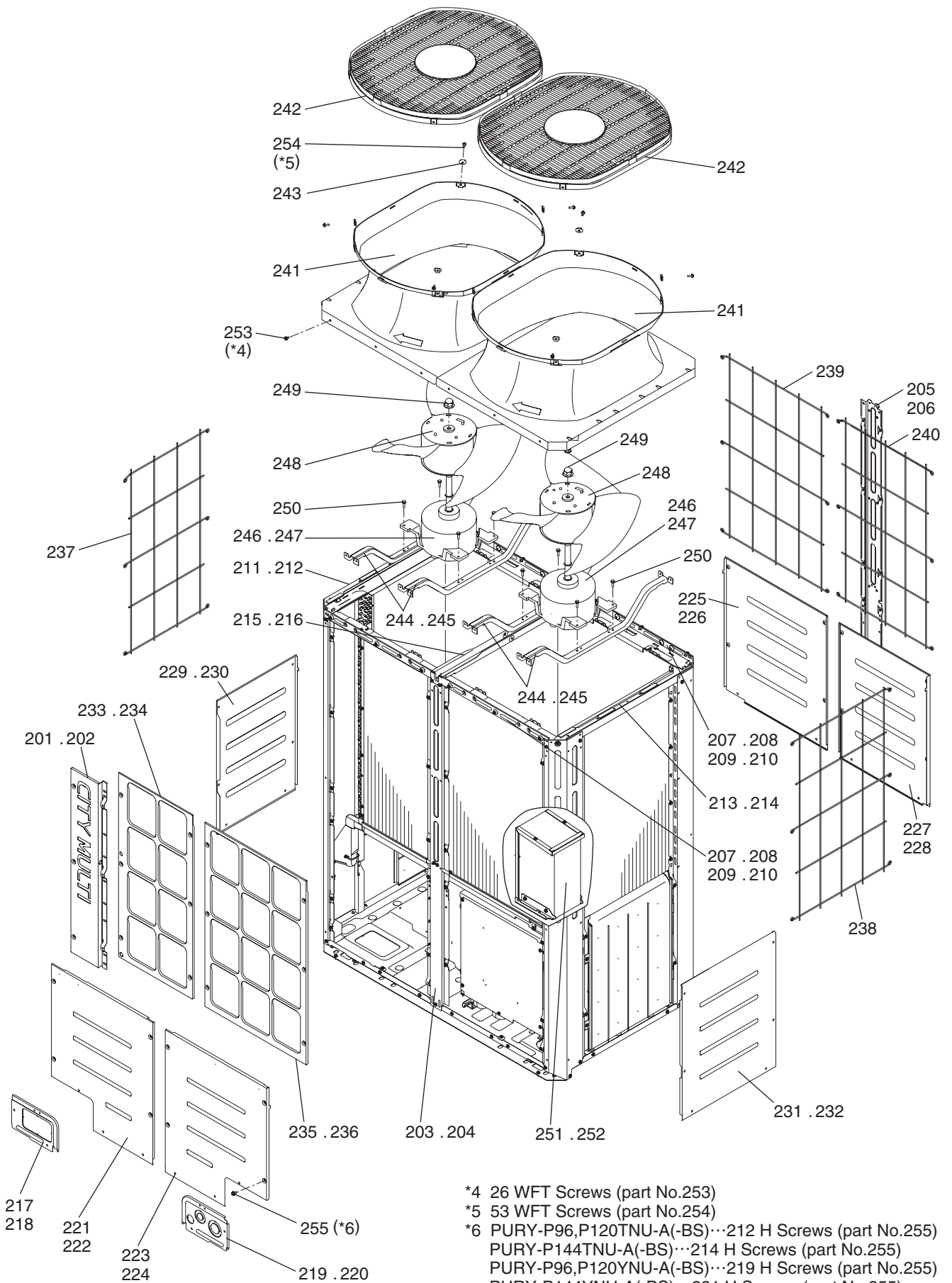
**PURY-P336YSNU-A(-BS)** [PURY-P168YNU-A(-BS)+PURY-P168YNU-A(-BS)]



| No. | Part No.    | Part Name       | Spec.                  | PURY-P72TNU-A | PURY-P72TNU-A-BS | PURY-P72YNU-A | PURY-P72YNU-A-BS |  | Dwg. No.    | Notes for the models | Revision info. |
|-----|-------------|-----------------|------------------------|---------------|------------------|---------------|------------------|--|-------------|----------------------|----------------|
| 101 | R61 043 626 | Pillar LF2      |                        | 1             | 1                |               |                  |  | KJ00F066G09 |                      |                |
| 102 | R61 044 626 | Pillar LF2      | BS                     |               | 1                | 1             |                  |  | KJ00F066G10 |                      |                |
| 103 | R61 130 162 | Frame assy FB   |                        | 2             | 2                |               |                  |  | KL00G707G03 |                      |                |
| 104 | R61 131 162 | Frame assy FB   | BS                     |               | 2                | 2             |                  |  | KL00G707G04 |                      |                |
| 105 | R61 160 162 | Frame assy L    |                        | 1             | 1                |               |                  |  | KB00C02PG03 |                      |                |
| 106 | R61 161 162 | Frame assy L    | BS                     |               | 1                | 1             |                  |  | KB00C02PG04 |                      |                |
| 107 | R61 132 162 | Frame assy R    |                        | 1             | 1                |               |                  |  | KS00L332G11 |                      |                |
| 108 | R61 133 162 | Frame assy R    | BS                     |               | 1                | 1             |                  |  | KS00L332G12 |                      |                |
| 109 | R61 218 690 | Piping cover    |                        | 1             | 1                |               |                  |  | KJ00F069G05 |                      |                |
| 110 | R61 219 690 | Piping cover    | BS                     |               | 1                | 1             |                  |  | KJ00F069G06 |                      |                |
| 111 | R61 250 690 | Wiring cover    |                        | 1             | 1                |               |                  |  | KJ00K050G03 |                      |                |
| 112 | R61 251 690 | Wiring cover    | BS                     |               | 1                | 1             |                  |  | KJ00K050G04 |                      |                |
| 113 | R61 379 651 | Panel F         |                        | 1             | 1                |               |                  |  | KS00L334G07 |                      | Chg.           |
| 114 | R61 380 651 | Panel F         | BS                     |               | 1                | 1             |                  |  | KS00L334G08 |                      | Chg.           |
| 115 | R61 381 651 | Panel B         |                        | 1             | 1                |               |                  |  | KD02B671H02 |                      |                |
| 116 | R61 382 651 | Panel B         | BS                     |               | 1                | 1             |                  |  | KS00R821G01 |                      |                |
| 117 | R61 383 651 | Panel L         |                        | 1             | 1                |               |                  |  | KS02R320H02 |                      |                |
| 118 | R61 384 651 | Panel L         | BS                     |               | 1                | 1             |                  |  | KS00R822G01 |                      |                |
| 119 | R61 385 651 | Panel R         |                        | 1             | 1                |               |                  |  | KS02R321H02 |                      |                |
| 120 | R61 386 651 | Panel R         | BS                     |               | 1                | 1             |                  |  | KS00R823G01 |                      |                |
| 121 | R61 018 611 | Fin guard       |                        | 1             | 1                |               |                  |  | KD02B848H02 |                      |                |
| 122 | R61 019 611 | Fin guard       | BS                     |               | 1                | 1             |                  |  | KS00T209G02 |                      |                |
| 123 | R61 026 611 | Fin guard L     |                        | 1             | 1                | 1             | 1                |  | KD07J314G01 |                      |                |
| 124 | R61 027 611 | Fin guard R     |                        | 1             | 1                | 1             | 1                |  | KD07J315G01 |                      |                |
| 125 | R61 028 611 | Fin guard B     |                        | 1             | 1                | 1             | 1                |  | KD07J317G01 |                      |                |
| 126 | R61 004 119 | Bell mouth      |                        | 1             | 1                | 1             | 1                |  | KB25A368G01 |                      |                |
| 127 | R11 003 009 | Fan guard       |                        | 1             | 1                | 1             | 1                |  | KB25V019G01 |                      |                |
| 128 | R61 009 669 | Plate fan guard |                        | 4             | 4                | 4             | 4                |  | KD02D205H02 |                      |                |
| 129 | R61 040 140 | Base fan        |                        | 2             | 2                |               |                  |  | KS02B161H01 |                      |                |
| 130 | R61 041 140 | Base fan        | BS                     |               | 2                | 2             |                  |  | KS02B161G01 |                      |                |
| 131 | R61 378 220 | Motor           | DC920 T                | 1             | 1                |               |                  |  | KMM00001B23 |                      |                |
| 132 | R61 349 220 | Motor           | DC920 Y                |               |                  | 1             | 1                |  | KMM00001B15 |                      |                |
| 133 | R61 047 114 | Fan             | 700D                   | 1             | 1                | 1             | 1                |  | KB25A993H02 |                      |                |
| 134 | R63 4H6 122 | Box nut         | M12 CH                 | 1             | 1                | 1             | 1                |  | P552000X01  |                      |                |
| 135 | R63 014 087 | Upset screw     | M6 x 10                | 4             | 4                | 4             | 4                |  | P516047X01  |                      |                |
| 136 | R61 060 260 | Trans box assy  |                        |               |                  | 1             |                  |  | KE00H427G01 |                      |                |
| 137 | R61 061 260 | Trans box assy  | BS                     |               |                  |               | 1                |  | KE00H427G02 |                      |                |
| 138 | R63 006 087 | WFT screw       | M5 x 12(30pcs)         | 1             | 1                | 1             | 1                |  | KB00H418G01 | *1                   |                |
| 139 | R63 029 087 | WFT screw       | M5 x 16(10pcs)         | 5             | 5                | 5             | 5                |  | KD00H026G01 | *2                   |                |
| 140 | R61 048 087 | H screw         | M5 x 10 KNURLED(30pcs) | 7             | 7                | 7             | 7                |  | KB00H418G14 | *3                   | Chg.           |
|     |             |                 |                        |               |                  |               |                  |  |             |                      |                |
|     |             |                 |                        |               |                  |               |                  |  |             |                      |                |
|     |             |                 |                        |               |                  |               |                  |  |             |                      |                |
|     |             |                 |                        |               |                  |               |                  |  |             |                      |                |
|     |             |                 |                        |               |                  |               |                  |  |             |                      |                |







\*4 26 WFT Screws (part No.253)  
 \*5 53 WFT Screws (part No.254)  
 \*6 PURY-P96,P120TNU-A(-BS)···212 H Screws (part No.255)  
 PURY-P144TNU-A(-BS)···214 H Screws (part No.255)  
 PURY-P96,P120YNU-A(-BS)···219 H Screws (part No.255)  
 PURY-P144YNU-A(-BS)···221 H Screws (part No.255)

| No. | Part No.    | Part Name        | Spec. |               |                  |                |                   |                |                   | Dwg. No.    | Notes for the models | Revision info. |
|-----|-------------|------------------|-------|---------------|------------------|----------------|-------------------|----------------|-------------------|-------------|----------------------|----------------|
|     |             |                  |       | PURY-P96TNU-A | PURY-P96TNU-A-BS | PURY-P120TNU-A | PURY-P120TNU-A-BS | PURY-P144TNU-A | PURY-P144TNU-A-BS |             |                      |                |
| 201 | R61 043 626 | Pillar LF2       |       | 1             |                  | 1              |                   | 1              |                   | KJ00F066G09 |                      |                |
| 202 | R61 044 626 | Pillar LF2       | BS    |               | 1                |                | 1                 |                | 1                 | KJ00F066G10 |                      |                |
| 203 | R61 070 626 | Pillar assy C    |       | 1             |                  | 1              |                   | 1              |                   | KS00L326G13 |                      | Chg.           |
| 204 | R61 052 626 | Pillar assy C    | BS    |               | 1                |                | 1                 |                | 1                 | KS00L326G12 |                      |                |
| 205 | R61 053 626 | Pillar C         |       | 1             |                  | 1              |                   | 1              |                   | KS00L327G11 |                      |                |
| 206 | R61 054 626 | Pillar C         | BS    |               | 1                |                | 1                 |                | 1                 | KS00L327G12 |                      |                |
| 207 | R61 134 162 | Frame assy FB    |       | 2             |                  | 2              |                   |                |                   | KL00G709G03 |                      |                |
| 208 | R61 135 162 | Frame assy FB    | BS    |               | 2                |                | 2                 |                |                   | KL00G709G04 |                      |                |
| 209 | R61 136 162 | Frame assy FB 3L |       |               |                  |                |                   | 2              |                   | KL00G717G03 |                      |                |
| 210 | R61 137 162 | Frame assy FB 3L | BS    |               |                  |                |                   | 2              |                   | KL00G717G04 |                      |                |
| 211 | R61 160 162 | Frame assy L     |       | 1             |                  | 1              |                   | 1              |                   | KB00C02PG03 |                      |                |
| 212 | R61 161 162 | Frame assy L     | BS    |               | 1                |                | 1                 |                | 1                 | KB00C02PG04 |                      |                |
| 213 | R61 132 162 | Frame assy R     |       | 1             |                  | 1              |                   | 1              |                   | KS00L332G11 |                      |                |
| 214 | R61 133 162 | Frame assy R     | BS    |               | 1                |                | 1                 |                | 1                 | KS00L332G12 |                      |                |
| 215 | R61 162 162 | Frame assy C     |       | 1             |                  | 1              |                   | 1              |                   | KJ00K843G01 |                      |                |
| 216 | R61 163 162 | Frame assy C     | BS    |               | 1                |                | 1                 |                | 1                 | KJ00K843G02 |                      |                |
| 217 | R61 218 690 | Piping cover     |       | 1             |                  | 1              |                   | 1              |                   | KJ00F069G05 |                      |                |
| 218 | R61 219 690 | Piping cover     | BS    |               | 1                |                | 1                 |                | 1                 | KJ00F069G06 |                      |                |
| 219 | R61 250 690 | Wiring cover     |       | 1             |                  | 1              |                   | 1              |                   | KJ00K050G03 |                      |                |
| 220 | R61 251 690 | Wiring cover     | BS    |               | 1                |                | 1                 |                | 1                 | KJ00K050G04 |                      |                |
| 221 | R61 390 651 | Panel FL         |       | 1             |                  | 1              |                   | 1              |                   | KS00L335G07 |                      | Chg.           |
| 222 | R61 391 651 | Panel FL         | BS    |               | 1                |                | 1                 |                | 1                 | KS00L335G08 |                      | Chg.           |
| 223 | R61 392 651 | Panel FR         |       | 1             |                  | 1              |                   | 1              |                   | KS00L336G09 |                      | Chg.           |
| 224 | R61 393 651 | Panel FR         | BS    |               | 1                |                | 1                 |                | 1                 | KS00L336G10 |                      | Chg.           |
| 225 | R61 394 651 | Panel BL         |       | 1             |                  | 1              |                   | 1              |                   | KD02B680H02 |                      |                |
| 226 | R61 395 651 | Panel BL         | BS    |               | 1                |                | 1                 |                | 1                 | KS00R824G01 |                      |                |
| 227 | R61 396 651 | Panel BR         |       | 1             |                  | 1              |                   | 1              |                   | KD02B681H02 |                      |                |
| 228 | R61 397 651 | Panel BR         | BS    |               | 1                |                | 1                 |                | 1                 | KS00R825G01 |                      |                |
| 229 | R61 383 651 | Panel L          |       | 1             |                  | 1              |                   | 1              |                   | KS02R320H02 |                      |                |
| 230 | R61 384 651 | Panel L          | BS    |               | 1                |                | 1                 |                | 1                 | KS00R822G01 |                      |                |
| 231 | R61 385 651 | Panel R          |       | 1             |                  | 1              |                   | 1              |                   | KS02R321H02 |                      |                |
| 232 | R61 386 651 | Panel R          | BS    |               | 1                |                | 1                 |                | 1                 | KS00R823G01 |                      |                |
| 233 | R61 020 611 | Fin guard FL     |       | 1             |                  | 1              |                   | 1              |                   | KD02B849H02 |                      |                |
| 234 | R61 021 611 | Fin guard FL     | BS    |               | 1                |                | 1                 |                | 1                 | KS00T210G02 |                      |                |
| 235 | R61 022 611 | Fin guard FR     |       | 1             |                  | 1              |                   | 1              |                   | KD02B850H01 |                      |                |
| 236 | R61 023 611 | Fin guard FR     | BS    |               | 1                |                | 1                 |                | 1                 | KS00T211G01 |                      |                |
| 237 | R61 026 611 | Fin guard L      |       | 1             | 1                | 1              | 1                 | 1              | 1                 | KD07J314G01 |                      |                |
| 238 | R61 027 611 | Fin guard R      |       | 1             | 1                | 1              | 1                 | 1              | 1                 | KD07J315G01 |                      |                |
| 239 | R61 029 611 | Fin guard BL     |       | 1             | 1                | 1              | 1                 | 1              | 1                 | KD07J318G01 |                      |                |
| 240 | R61 030 611 | Fin guard BR     |       | 1             | 1                | 1              | 1                 | 1              | 1                 | KD07J319G01 |                      |                |
| 241 | R61 016 119 | Bell mouth       |       | 2             | 2                | 2              | 2                 | 2              | 2                 | KB25Y025G02 |                      |                |
| 242 | R61 019 118 | Fan guard        |       | 2             | 2                | 2              | 2                 | 2              | 2                 | KB25Y024G01 |                      |                |
| 243 | R61 009 669 | Plate fan guard  |       | 8             | 8                | 8              | 8                 | 8              | 8                 | KD02D205H02 |                      |                |
| 244 | R61 040 140 | Base fan         |       | 4             |                  | 4              |                   | 4              |                   | KS02B161H01 |                      |                |
| 245 | R61 041 140 | Base fan         | BS    |               | 4                |                | 4                 |                | 4                 | KS02B161G01 |                      |                |



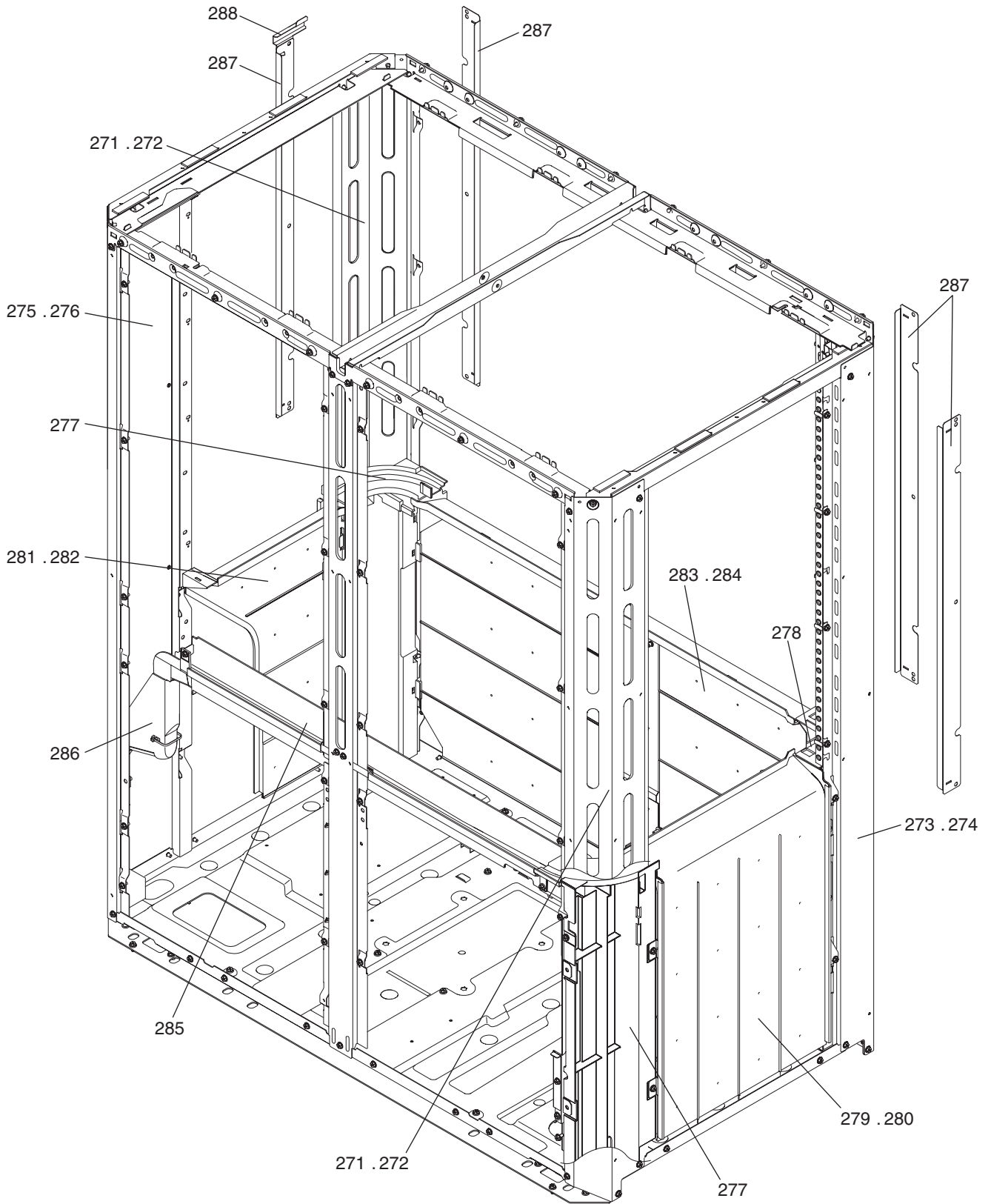
| No. | Part No.    | Part Name      | Spec.                  | PURY-P96TNU-A    | PURY-P120TNU-A    | PURY-P144TNU-A    | Dwg. No.    | Notes for the models | Revision info. |
|-----|-------------|----------------|------------------------|------------------|-------------------|-------------------|-------------|----------------------|----------------|
|     |             |                |                        | PURY-P96TNU-A-BS | PURY-P120TNU-A-BS | PURY-P144TNU-A-BS |             |                      |                |
| 246 | R61 379 220 | Motor          | L-MW-750-G-1 T         | 2                | 2                 | 2                 | P780383X01  |                      |                |
| 247 | R61 351 220 | Motor          | LM-750-F4-1            |                  |                   |                   | P780354X02  |                      | Chg.           |
| 248 | R61 048 114 | Fan            | 550D                   | 2                | 2                 | 2                 | KB25A994H02 |                      |                |
| 249 | R63 4H6 122 | Box nut        | M12 CH                 | 2                | 2                 | 2                 | P552000X01  |                      |                |
| 250 | R61 028 087 | Upset screw    | M6 x 22                | 8                | 8                 | 8                 | P516049X01  |                      |                |
| 251 | R61 060 260 | Trans box assy |                        |                  |                   |                   | KE00H427G01 |                      |                |
| 252 | R61 061 260 | Trans box assy | BS                     |                  |                   |                   | KE00H427G02 |                      |                |
| 253 | R63 006 087 | WFT screw      | M5 x 12(30pcs)         | 1                | 1                 | 1                 | KB00H418G01 | *4                   |                |
| 254 | R63 029 087 | WFT screw      | M5 x 16(10pcs)         | 6                | 6                 | 6                 | KD00H026G01 | *5                   |                |
| 255 | R61 048 087 | H screw        | M5 x 10 KNURLED(30pcs) | 8                | 8                 | 8                 | KB00H418G14 | *6                   | Chg.           |
|     |             |                |                        |                  |                   |                   |             |                      |                |
|     |             |                |                        |                  |                   |                   |             |                      |                |
|     |             |                |                        |                  |                   |                   |             |                      |                |
|     |             |                |                        |                  |                   |                   |             |                      |                |
|     |             |                |                        |                  |                   |                   |             |                      |                |
|     |             |                |                        |                  |                   |                   |             |                      |                |
|     |             |                |                        |                  |                   |                   |             |                      |                |
|     |             |                |                        |                  |                   |                   |             |                      |                |
|     |             |                |                        |                  |                   |                   |             |                      |                |
|     |             |                |                        |                  |                   |                   |             |                      |                |
|     |             |                |                        |                  |                   |                   |             |                      |                |
|     |             |                |                        |                  |                   |                   |             |                      |                |
|     |             |                |                        |                  |                   |                   |             |                      |                |
|     |             |                |                        |                  |                   |                   |             |                      |                |
|     |             |                |                        |                  |                   |                   |             |                      |                |
|     |             |                |                        |                  |                   |                   |             |                      |                |
|     |             |                |                        |                  |                   |                   |             |                      |                |
|     |             |                |                        |                  |                   |                   |             |                      |                |
|     |             |                |                        |                  |                   |                   |             |                      |                |
|     |             |                |                        |                  |                   |                   |             |                      |                |
|     |             |                |                        |                  |                   |                   |             |                      |                |
|     |             |                |                        |                  |                   |                   |             |                      |                |
|     |             |                |                        |                  |                   |                   |             |                      |                |
|     |             |                |                        |                  |                   |                   |             |                      |                |
|     |             |                |                        |                  |                   |                   |             |                      |                |
|     |             |                |                        |                  |                   |                   |             |                      |                |
|     |             |                |                        |                  |                   |                   |             |                      |                |
|     |             |                |                        |                  |                   |                   |             |                      |                |
|     |             |                |                        |                  |                   |                   |             |                      |                |
|     |             |                |                        |                  |                   |                   |             |                      |                |
|     |             |                |                        |                  |                   |                   |             |                      |                |
|     |             |                |                        |                  |                   |                   |             |                      |                |
|     |             |                |                        |                  |                   |                   |             |                      |                |
|     |             |                |                        |                  |                   |                   |             |                      |                |
|     |             |                |                        |                  |                   |                   |             |                      |                |
|     |             |                |                        |                  |                   |                   |             |                      |                |
|     |             |                |                        |                  |                   |                   |             |                      |                |
|     |             |                |                        |                  |                   |                   |             |                      |                |
|     |             |                |                        |                  |                   |                   |             |                      |                |
|     |             |                |                        |                  |                   |                   |             |                      |                |
|     |             |                |                        |                  |                   |                   |             |                      |                |
|     |             |                |                        |                  |                   |                   |             |                      |                |
|     |             |                |                        |                  |                   |                   |             |                      |                |
|     |             |                |                        |                  |                   |                   |             |                      |                |
|     |             |                |                        |                  |                   |                   |             |                      |                |
|     |             |                |                        |                  |                   |                   |             |                      |                |

| No. | Part No.    | Part Name        | Spec. |               |                  |                |                   |                |                   | Dwg. No.    | Notes for the models | Revision info. |
|-----|-------------|------------------|-------|---------------|------------------|----------------|-------------------|----------------|-------------------|-------------|----------------------|----------------|
|     |             |                  |       | PURY-P96YNU-A | PURY-P96YNU-A-BS | PURY-P120YNU-A | PURY-P120YNU-A-BS | PURY-P144YNU-A | PURY-P144YNU-A-BS |             |                      |                |
| 201 | R61 043 626 | Pillar LF2       |       | 1             |                  | 1              |                   | 1              |                   | KJ00F066G09 |                      |                |
| 202 | R61 044 626 | Pillar LF2       | BS    |               | 1                |                | 1                 |                | 1                 | KJ00F066G10 |                      |                |
| 203 | R61 070 626 | Pillar assy C    |       | 1             |                  | 1              |                   | 1              |                   | KS00L326G13 |                      | Chg.           |
| 204 | R61 052 626 | Pillar assy C    | BS    |               | 1                |                | 1                 |                | 1                 | KS00L326G12 |                      |                |
| 205 | R61 053 626 | Pillar C         |       | 1             |                  | 1              |                   | 1              |                   | KS00L327G11 |                      |                |
| 206 | R61 054 626 | Pillar C         | BS    |               | 1                |                | 1                 |                | 1                 | KS00L327G12 |                      |                |
| 207 | R61 134 162 | Frame assy FB    |       | 2             |                  | 2              |                   |                |                   | KL00G709G03 |                      |                |
| 208 | R61 135 162 | Frame assy FB    | BS    |               | 2                |                | 2                 |                |                   | KL00G709G04 |                      |                |
| 209 | R61 136 162 | Frame assy FB 3L |       |               |                  |                |                   | 2              |                   | KL00G717G03 |                      |                |
| 210 | R61 137 162 | Frame assy FB 3L | BS    |               |                  |                |                   | 2              |                   | KL00G717G04 |                      |                |
| 211 | R61 160 162 | Frame assy L     |       | 1             |                  | 1              |                   | 1              |                   | KB00C02PG03 |                      |                |
| 212 | R61 161 162 | Frame assy L     | BS    |               | 1                |                | 1                 |                | 1                 | KB00C02PG04 |                      |                |
| 213 | R61 132 162 | Frame assy R     |       | 1             |                  | 1              |                   | 1              |                   | KS00L332G11 |                      |                |
| 214 | R61 133 162 | Frame assy R     | BS    |               | 1                |                | 1                 |                | 1                 | KS00L332G12 |                      |                |
| 215 | R61 162 162 | Frame assy C     |       | 1             |                  | 1              |                   | 1              |                   | KJ00K843G01 |                      |                |
| 216 | R61 163 162 | Frame assy C     | BS    |               | 1                |                | 1                 |                | 1                 | KJ00K843G02 |                      |                |
| 217 | R61 218 690 | Piping cover     |       | 1             |                  | 1              |                   | 1              |                   | KJ00F069G05 |                      |                |
| 218 | R61 219 690 | Piping cover     | BS    |               | 1                |                | 1                 |                | 1                 | KJ00F069G06 |                      |                |
| 219 | R61 250 690 | Wiring cover     |       | 1             |                  | 1              |                   | 1              |                   | KJ00K050G03 |                      |                |
| 220 | R61 251 690 | Wiring cover     | BS    |               | 1                |                | 1                 |                | 1                 | KJ00K050G04 |                      |                |
| 221 | R61 390 651 | Panel FL         |       | 1             |                  | 1              |                   | 1              |                   | KS00L335G07 |                      | Chg.           |
| 222 | R61 391 651 | Panel FL         | BS    |               | 1                |                | 1                 |                | 1                 | KS00L335G08 |                      | Chg.           |
| 223 | R61 392 651 | Panel FR         |       | 1             |                  | 1              |                   | 1              |                   | KS00L336G09 |                      | Chg.           |
| 224 | R61 393 651 | Panel FR         | BS    |               | 1                |                | 1                 |                | 1                 | KS00L336G10 |                      | Chg.           |
| 225 | R61 394 651 | Panel BL         |       | 1             |                  | 1              |                   | 1              |                   | KD02B680H02 |                      |                |
| 226 | R61 395 651 | Panel BL         | BS    |               | 1                |                | 1                 |                | 1                 | KS00R824G01 |                      |                |
| 227 | R61 396 651 | Panel BR         |       | 1             |                  | 1              |                   | 1              |                   | KD02B681H02 |                      |                |
| 228 | R61 397 651 | Panel BR         | BS    |               | 1                |                | 1                 |                | 1                 | KS00R825G01 |                      |                |
| 229 | R61 383 651 | Panel L          |       | 1             |                  | 1              |                   | 1              |                   | KS02R320H02 |                      |                |
| 230 | R61 384 651 | Panel L          | BS    |               | 1                |                | 1                 |                | 1                 | KS00R822G01 |                      |                |
| 231 | R61 385 651 | Panel R          |       | 1             |                  | 1              |                   | 1              |                   | KS02R321H02 |                      |                |
| 232 | R61 386 651 | Panel R          | BS    |               | 1                |                | 1                 |                | 1                 | KS00R823G01 |                      |                |
| 233 | R61 020 611 | Fin guard FL     |       | 1             |                  | 1              |                   | 1              |                   | KD02B849H02 |                      |                |
| 234 | R61 021 611 | Fin guard FL     | BS    |               | 1                |                | 1                 |                | 1                 | KS00T210G02 |                      |                |
| 235 | R61 022 611 | Fin guard FR     |       | 1             |                  | 1              |                   | 1              |                   | KD02B850H01 |                      |                |
| 236 | R61 023 611 | Fin guard FR     | BS    |               | 1                |                | 1                 |                | 1                 | KS00T211G01 |                      |                |
| 237 | R61 026 611 | Fin guard L      |       | 1             | 1                | 1              | 1                 | 1              | 1                 | KD07J314G01 |                      |                |
| 238 | R61 027 611 | Fin guard R      |       | 1             | 1                | 1              | 1                 | 1              | 1                 | KD07J315G01 |                      |                |
| 239 | R61 029 611 | Fin guard BL     |       | 1             | 1                | 1              | 1                 | 1              | 1                 | KD07J318G01 |                      |                |
| 240 | R61 030 611 | Fin guard BR     |       | 1             | 1                | 1              | 1                 | 1              | 1                 | KD07J319G01 |                      |                |
| 241 | R61 016 119 | Bell mouth       |       | 2             | 2                | 2              | 2                 | 2              | 2                 | KB25Y025G02 |                      |                |
| 242 | R61 019 118 | Fan guard        |       | 2             | 2                | 2              | 2                 | 2              | 2                 | KB25Y024G01 |                      |                |
| 243 | R61 009 669 | Plate fan guard  |       | 8             | 8                | 8              | 8                 | 8              | 8                 | KD02D205H02 |                      |                |
| 244 | R61 040 140 | Base fan         |       | 4             |                  | 4              |                   | 4              |                   | KS02B161H01 |                      |                |
| 245 | R61 041 140 | Base fan         | BS    |               | 4                |                | 4                 |                | 4                 | KS02B161G01 |                      |                |

**PURY-P96,P120,P144TNU-A(-BS)  
PURY-P96,P120,P144YNU-A(-BS)**

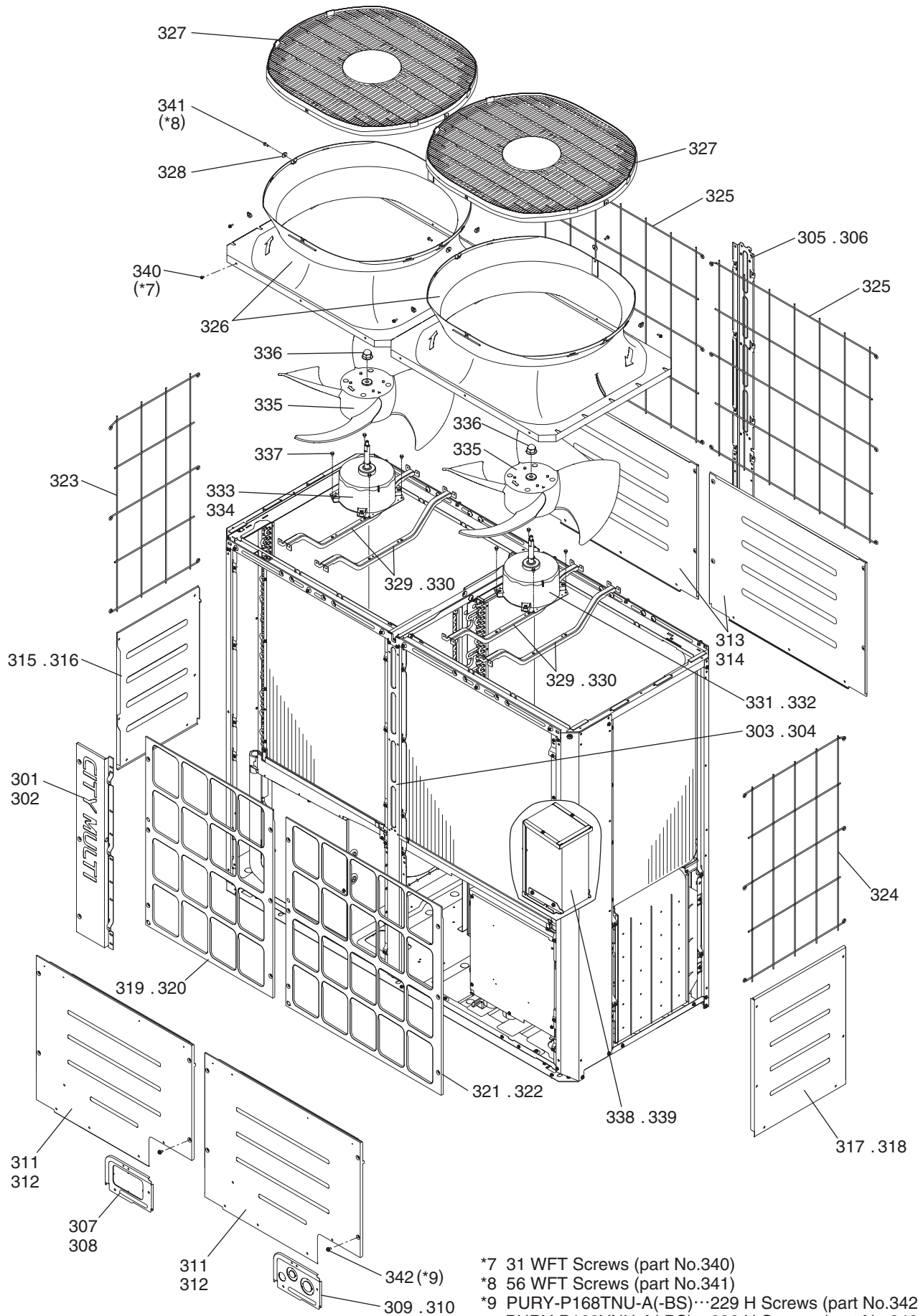
**EXTERNAL PARTS & BLOWER PARTS (2-1)**

| No. | Part No.    | Part Name      | Spec.                  | PURY-P96YNU-A | PURY-P96YNU-A-BS | PURY-P120YNU-A | PURY-P120YNU-A-BS | PURY-P144YNU-A | PURY-P144YNU-A-BS | Dwg. No.    | Notes for the models | Revision info. |
|-----|-------------|----------------|------------------------|---------------|------------------|----------------|-------------------|----------------|-------------------|-------------|----------------------|----------------|
| 246 | R61 379 220 | Motor          | L-MW-750-G-1 T         |               |                  |                |                   |                |                   | P780383X01  |                      |                |
| 247 | R61 351 220 | Motor          | LM-750-F4-1            | 2             | 2                | 2              | 2                 | 2              | 2                 | P780354X02  |                      | Chg.           |
| 248 | R61 048 114 | Fan            | 550D                   | 2             | 2                | 2              | 2                 | 2              | 2                 | KB25A994H02 |                      |                |
| 249 | R63 4H6 122 | Box nut        | M12 CH                 | 2             | 2                | 2              | 2                 | 2              | 2                 | P552000X01  |                      |                |
| 250 | R61 028 087 | Upset screw    | M6 x 22                | 8             | 8                | 8              | 8                 | 8              | 8                 | P516049X01  |                      |                |
| 251 | R61 060 260 | Trans box assy |                        | 1             |                  | 1              |                   | 1              |                   | KE00H427G01 |                      |                |
| 252 | R61 061 260 | Trans box assy | BS                     |               | 1                |                | 1                 |                | 1                 | KE00H427G02 |                      |                |
| 253 | R63 006 087 | WFT screw      | M5 x 12(30pcs)         | 1             | 1                | 1              | 1                 | 1              | 1                 | KB00H418G01 | *4                   |                |
| 254 | R63 029 087 | WFT screw      | M5 x 16(10pcs)         | 6             | 6                | 6              | 6                 | 6              | 6                 | KD00H026G01 | *5                   |                |
| 255 | R61 048 087 | H screw        | M5 x 10 KNURLED(30pcs) | 8             | 8                | 8              | 8                 | 8              | 8                 | KB00H418G14 | *6                   | Chg.           |
|     |             |                |                        |               |                  |                |                   |                |                   |             |                      |                |
|     |             |                |                        |               |                  |                |                   |                |                   |             |                      |                |
|     |             |                |                        |               |                  |                |                   |                |                   |             |                      |                |
|     |             |                |                        |               |                  |                |                   |                |                   |             |                      |                |
|     |             |                |                        |               |                  |                |                   |                |                   |             |                      |                |
|     |             |                |                        |               |                  |                |                   |                |                   |             |                      |                |
|     |             |                |                        |               |                  |                |                   |                |                   |             |                      |                |
|     |             |                |                        |               |                  |                |                   |                |                   |             |                      |                |
|     |             |                |                        |               |                  |                |                   |                |                   |             |                      |                |
|     |             |                |                        |               |                  |                |                   |                |                   |             |                      |                |
|     |             |                |                        |               |                  |                |                   |                |                   |             |                      |                |
|     |             |                |                        |               |                  |                |                   |                |                   |             |                      |                |
|     |             |                |                        |               |                  |                |                   |                |                   |             |                      |                |
|     |             |                |                        |               |                  |                |                   |                |                   |             |                      |                |
|     |             |                |                        |               |                  |                |                   |                |                   |             |                      |                |
|     |             |                |                        |               |                  |                |                   |                |                   |             |                      |                |
|     |             |                |                        |               |                  |                |                   |                |                   |             |                      |                |
|     |             |                |                        |               |                  |                |                   |                |                   |             |                      |                |
|     |             |                |                        |               |                  |                |                   |                |                   |             |                      |                |
|     |             |                |                        |               |                  |                |                   |                |                   |             |                      |                |
|     |             |                |                        |               |                  |                |                   |                |                   |             |                      |                |
|     |             |                |                        |               |                  |                |                   |                |                   |             |                      |                |
|     |             |                |                        |               |                  |                |                   |                |                   |             |                      |                |
|     |             |                |                        |               |                  |                |                   |                |                   |             |                      |                |
|     |             |                |                        |               |                  |                |                   |                |                   |             |                      |                |
|     |             |                |                        |               |                  |                |                   |                |                   |             |                      |                |
|     |             |                |                        |               |                  |                |                   |                |                   |             |                      |                |



| No. | Part No.    | Part Name           | Spec. | PURY-P96TNU-A | PURY-P96TNU-A-BS | PURY-P120TNU-A | PURY-P120TNU-A-BS | PURY-P144TNU-A | PURY-P144TNU-A-BS | Dwg. No.    | Notes for the models | Revision info. |
|-----|-------------|---------------------|-------|---------------|------------------|----------------|-------------------|----------------|-------------------|-------------|----------------------|----------------|
|     |             |                     |       |               |                  |                |                   |                |                   |             |                      |                |
| 271 | R61 045 626 | Pillar RF           |       | 2             | 2                | 2              |                   | 2              |                   | KS00L323G09 |                      | Chg.           |
| 272 | R61 046 626 | Pillar RF           | BS    |               | 2                | 2              |                   | 2              |                   | KS00L323G10 |                      | Chg.           |
| 273 | R61 067 626 | Pillar RB           |       | 1             |                  | 1              |                   | 1              |                   | KS00L324G13 |                      |                |
| 274 | R61 068 626 | Pillar RB           | BS    |               |                  | 1              |                   | 1              |                   | KS00L324G14 |                      |                |
| 275 | R61 078 626 | Pillar LF1          |       | 1             |                  | 1              |                   | 1              |                   | KS00L325G13 |                      | Chg.           |
| 276 | R61 079 626 | Pillar LF1          | BS    |               |                  | 1              |                   | 1              |                   | KS00L325G14 |                      | Chg.           |
| 277 | R61 007 670 | Support HEX assy 1  |       | 2             | 2                | 2              | 2                 | 2              | 2                 | KS00L613G03 |                      |                |
| 278 | R61 008 670 | Support HEX assy 2  |       | 1             | 1                | 1              | 1                 | 1              | 1                 | KS00L614G03 |                      |                |
| 279 | R61 387 651 | Inner panel assy R  |       | 1             | 1                | 1              | 1                 |                |                   | KS00R845G09 |                      |                |
| 280 | R61 398 651 | Inner panel assy R  |       |               |                  |                |                   | 1              | 1                 | KS00R845G10 |                      |                |
| 281 | R61 388 651 | Inner panel assy L  |       | 1             | 1                | 1              | 1                 |                |                   | KS00L615G12 |                      |                |
| 282 | R61 400 651 | Inner panel assy L  |       |               |                  |                |                   | 1              | 1                 | KS00L615G13 |                      |                |
| 283 | R61 401 651 | Inner panel assy B  |       | 1             | 1                | 1              | 1                 |                |                   | KS00R847G13 |                      |                |
| 284 | R61 402 651 | Inner panel assy B  |       |               |                  |                |                   | 1              | 1                 | KS00R847G14 |                      |                |
| 285 | R61 195 529 | Drain pan assy FR   |       | 1             | 1                | 1              | 1                 | 1              | 1                 | KS00D188G05 |                      |                |
| 286 | R61 222 690 | DEF cover assy      |       | 1             | 1                | 1              | 1                 | 1              | 1                 | KS00L612G06 |                      |                |
| 287 | R61 275 690 | Cover heater wiring |       | 4             | 4                | 4              | 4                 | 4              | 4                 | KB02C0JMG01 |                      | Chg.           |
| 288 | R61 253 690 | Cover wiring assy   |       | 1             | 1                | 1              | 1                 | 1              | 1                 | KL00T838G01 |                      |                |
|     |             |                     |       |               |                  |                |                   |                |                   |             |                      |                |
|     |             |                     |       |               |                  |                |                   |                |                   |             |                      |                |
|     |             |                     |       |               |                  |                |                   |                |                   |             |                      |                |
|     |             |                     |       |               |                  |                |                   |                |                   |             |                      |                |
|     |             |                     |       |               |                  |                |                   |                |                   |             |                      |                |
|     |             |                     |       |               |                  |                |                   |                |                   |             |                      |                |
|     |             |                     |       |               |                  |                |                   |                |                   |             |                      |                |
|     |             |                     |       |               |                  |                |                   |                |                   |             |                      |                |
|     |             |                     |       |               |                  |                |                   |                |                   |             |                      |                |
|     |             |                     |       |               |                  |                |                   |                |                   |             |                      |                |
|     |             |                     |       |               |                  |                |                   |                |                   |             |                      |                |
|     |             |                     |       |               |                  |                |                   |                |                   |             |                      |                |
|     |             |                     |       |               |                  |                |                   |                |                   |             |                      |                |
|     |             |                     |       |               |                  |                |                   |                |                   |             |                      |                |

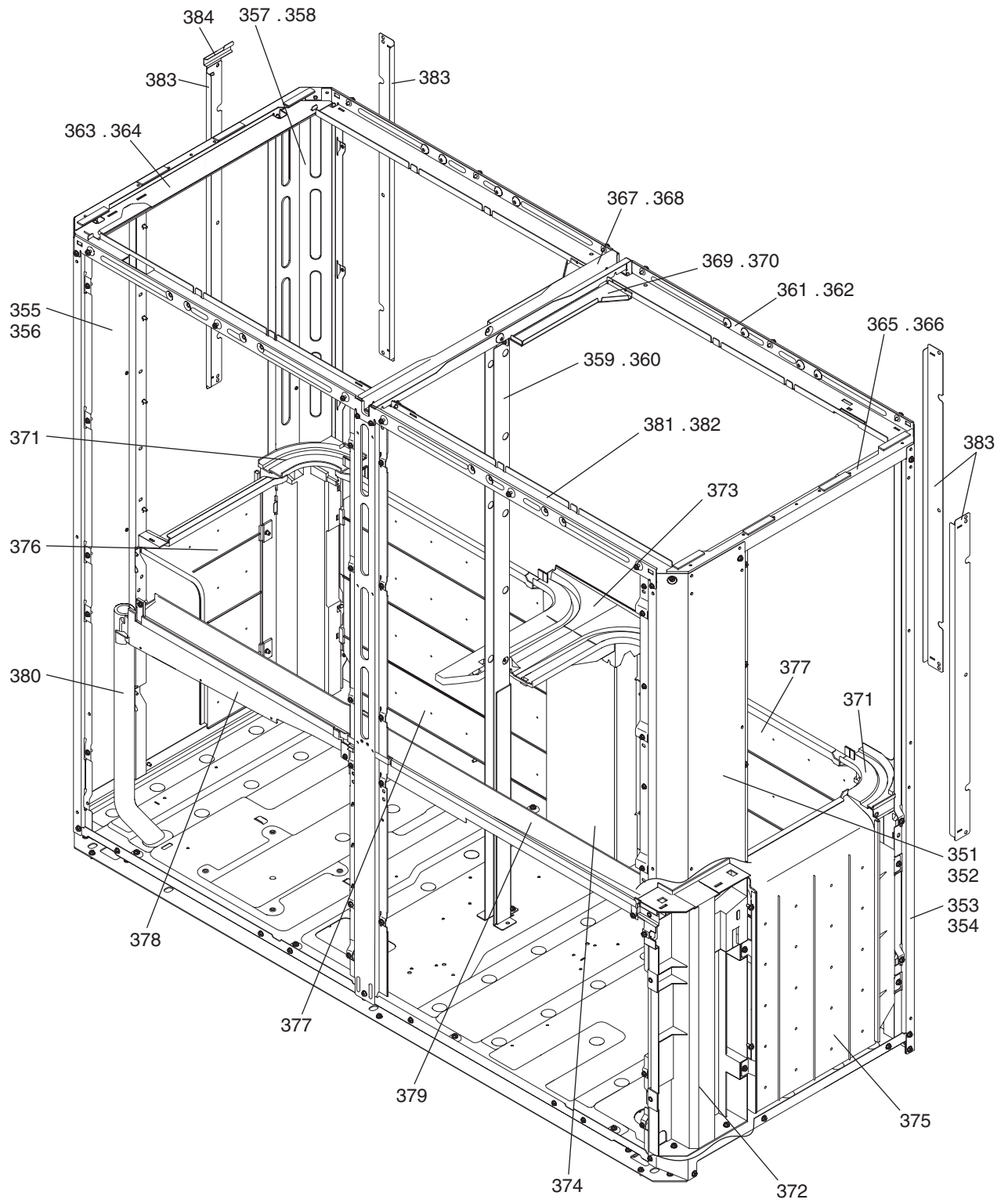




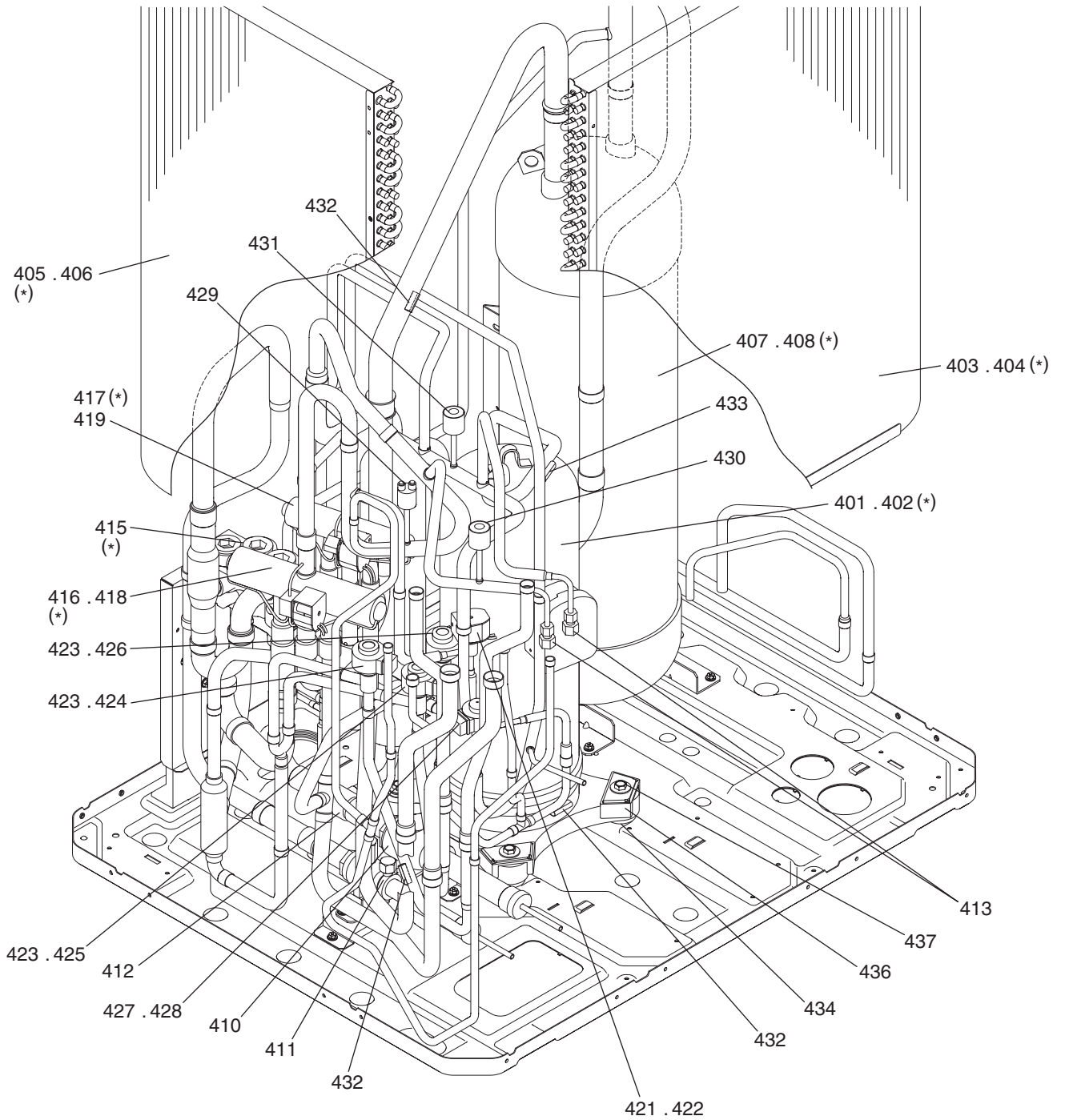
- \*7 31 WFT Screws (part No.340)
- \*8 56 WFT Screws (part No.341)
- \*9 PURY-P168TNU-A(-BS)···229 H Screws (part No.342)  
 PURY-P168YNU-A(-BS)···236 H Screws (part No.342)

| No. | Part No.    | Part Name       | Spec.                  | PURY-P168TNU-A | PURY-P168TNU-A-BS | PURY-P168YNU-A | PURY-P168YNU-A-BS | Dwg. No.    | Notes for the models | Revision info. |
|-----|-------------|-----------------|------------------------|----------------|-------------------|----------------|-------------------|-------------|----------------------|----------------|
| 301 | R61 043 626 | Pillar LF2      |                        | 1              |                   | 1              |                   | KJ00F066G09 |                      |                |
| 302 | R61 044 626 | Pillar LF2      | BS                     |                | 1                 |                | 1                 | KJ00F066G10 |                      |                |
| 303 | R61 070 626 | Pillar assy C   |                        | 1              |                   | 1              |                   | KS00L326G13 |                      | Chg.           |
| 304 | R61 052 626 | Pillar assy C   | BS                     |                | 1                 |                | 1                 | KS00L326G12 |                      |                |
| 305 | R61 053 626 | Pillar C        |                        | 1              |                   | 1              |                   | KS00L327G11 |                      |                |
| 306 | R61 054 626 | Pillar C        | BS                     |                | 1                 |                | 1                 | KS00L327G12 |                      |                |
| 307 | R61 223 690 | Piping cover    |                        | 1              |                   | 1              |                   | KJ00F431G03 |                      |                |
| 308 | R61 224 690 | Piping cover    | BS                     |                | 1                 |                | 1                 | KJ00F431G04 |                      |                |
| 309 | R61 250 690 | Wiring cover    |                        | 1              |                   | 1              |                   | KJ00K050G03 |                      |                |
| 310 | R61 251 690 | Wiring cover    | BS                     |                | 1                 |                | 1                 | KJ00K050G04 |                      |                |
| 311 | R61 403 651 | Panel F         |                        | 2              |                   | 2              |                   | KS00R550G07 |                      | Chg.           |
| 312 | R61 406 651 | Panel F         | BS                     |                | 2                 |                | 2                 | KS00R550G08 |                      | Chg.           |
| 313 | R61 407 651 | Panel B         |                        | 2              |                   | 2              |                   | KD02B773H01 |                      |                |
| 314 | R61 408 651 | Panel B         | BS                     |                | 2                 |                | 2                 | KS00R841G01 |                      |                |
| 315 | R61 383 651 | Panel L         |                        | 1              |                   | 1              |                   | KS02R320H02 |                      |                |
| 316 | R61 384 651 | Panel L         | BS                     |                | 1                 |                | 1                 | KS00R822G01 |                      |                |
| 317 | R61 409 651 | Panel R         |                        | 1              |                   | 1              |                   | KD02B774H01 |                      |                |
| 318 | R61 410 651 | Panel R         | BS                     |                | 1                 |                | 1                 | KS00R842G01 |                      |                |
| 319 | R61 018 611 | Fin guard       |                        | 1              |                   | 1              |                   | KD02B848H02 |                      |                |
| 320 | R61 019 611 | Fin guard       | BS                     |                | 1                 |                | 1                 | KS00T209G02 |                      |                |
| 321 | R61 024 611 | Fin guard       |                        | 1              |                   | 1              |                   | KD02B851H02 |                      |                |
| 322 | R61 025 611 | Fin guard       | BS                     |                | 1                 |                | 1                 | KS00T212G02 |                      |                |
| 323 | R61 026 611 | Fin guard L     |                        | 1              | 1                 | 1              | 1                 | KD07J314G01 |                      |                |
| 324 | R61 031 611 | Fin guard R     |                        | 1              | 1                 | 1              | 1                 | KD07J316G01 |                      |                |
| 325 | R61 032 611 | Fin guard B     |                        | 2              | 2                 | 2              | 2                 | KD07J320G01 |                      |                |
| 326 | R61 005 119 | Bell mouth      |                        | 2              | 2                 | 2              | 2                 | KB25A367G01 |                      |                |
| 327 | R11 003 009 | Fan guard       |                        | 2              | 2                 | 2              | 2                 | KB25V019G01 |                      |                |
| 328 | R61 009 669 | Plate fan guard |                        | 8              | 8                 | 8              | 8                 | KD02D205H02 |                      |                |
| 329 | R61 040 140 | Base fan        |                        | 4              |                   | 4              |                   | KS02B161H01 |                      |                |
| 330 | R61 041 140 | Base fan        | BS                     |                | 4                 |                | 4                 | KS02B161G01 |                      |                |
| 331 | R61 378 220 | Motor           | DC920 T (RIGHT)        | 1              | 1                 |                |                   | KMM00001B23 |                      |                |
| 332 | R61 349 220 | Motor           | DC920 Y (RIGHT)        |                |                   | 1              | 1                 | KMM00001B15 |                      |                |
| 333 | R61 380 220 | Motor           | DC920 T (LEFT)         | 1              | 1                 |                |                   | KMM00001B24 |                      |                |
| 334 | R61 353 220 | Motor           | DC920 Y (LEFT)         |                |                   | 1              | 1                 | KMM00001B16 |                      |                |
| 335 | R61 047 114 | Fan             | 700D                   | 2              | 2                 | 2              | 2                 | KB25A993H02 |                      |                |
| 336 | R63 4H6 122 | Box nut         | M12 CH                 | 2              | 2                 | 2              | 2                 | P552000X01  |                      |                |
| 337 | R63 014 087 | Upset screw     | M6 x 10                | 8              | 8                 | 8              | 8                 | P516047X01  |                      |                |
| 338 | R61 060 260 | Trans box assy  |                        |                |                   | 1              |                   | KE00H427G01 |                      |                |
| 339 | R61 061 260 | Trans box assy  | BS                     |                |                   |                | 1                 | KE00H427G02 |                      |                |
| 340 | R63 006 087 | WFT screw       | M5 x 12(30pcs)         | 2              | 2                 | 2              | 2                 | KB00H418G01 | *7                   |                |
| 341 | R63 029 087 | WFT screw       | M5 x 16(10pcs)         | 6              | 6                 | 6              | 6                 | KD00H026G01 | *8                   |                |
| 342 | R61 048 087 | H screw         | M5 x 10 KNURLED(30pcs) | 8              | 8                 | 8              | 8                 | KB00H418G14 | *9                   | Chg.           |
|     |             |                 |                        |                |                   |                |                   |             |                      |                |
|     |             |                 |                        |                |                   |                |                   |             |                      |                |
|     |             |                 |                        |                |                   |                |                   |             |                      |                |

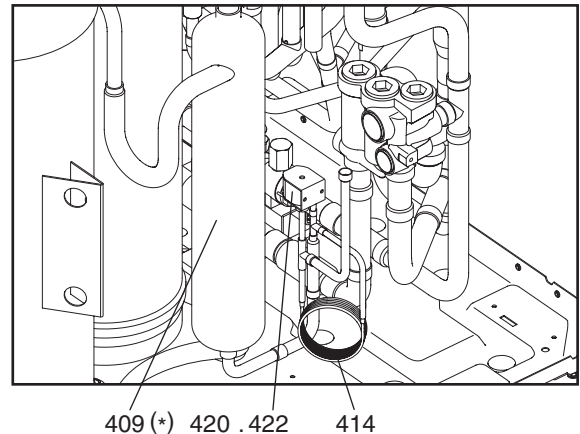
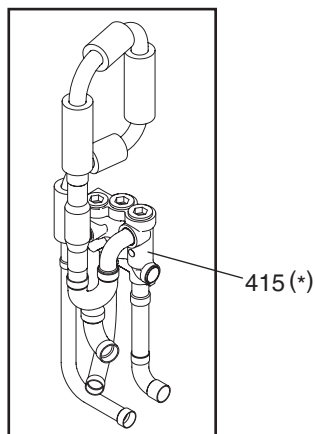
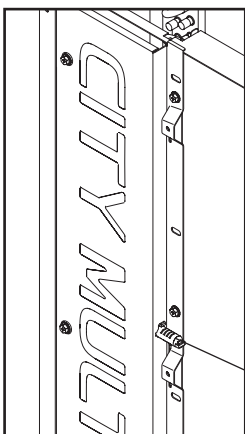




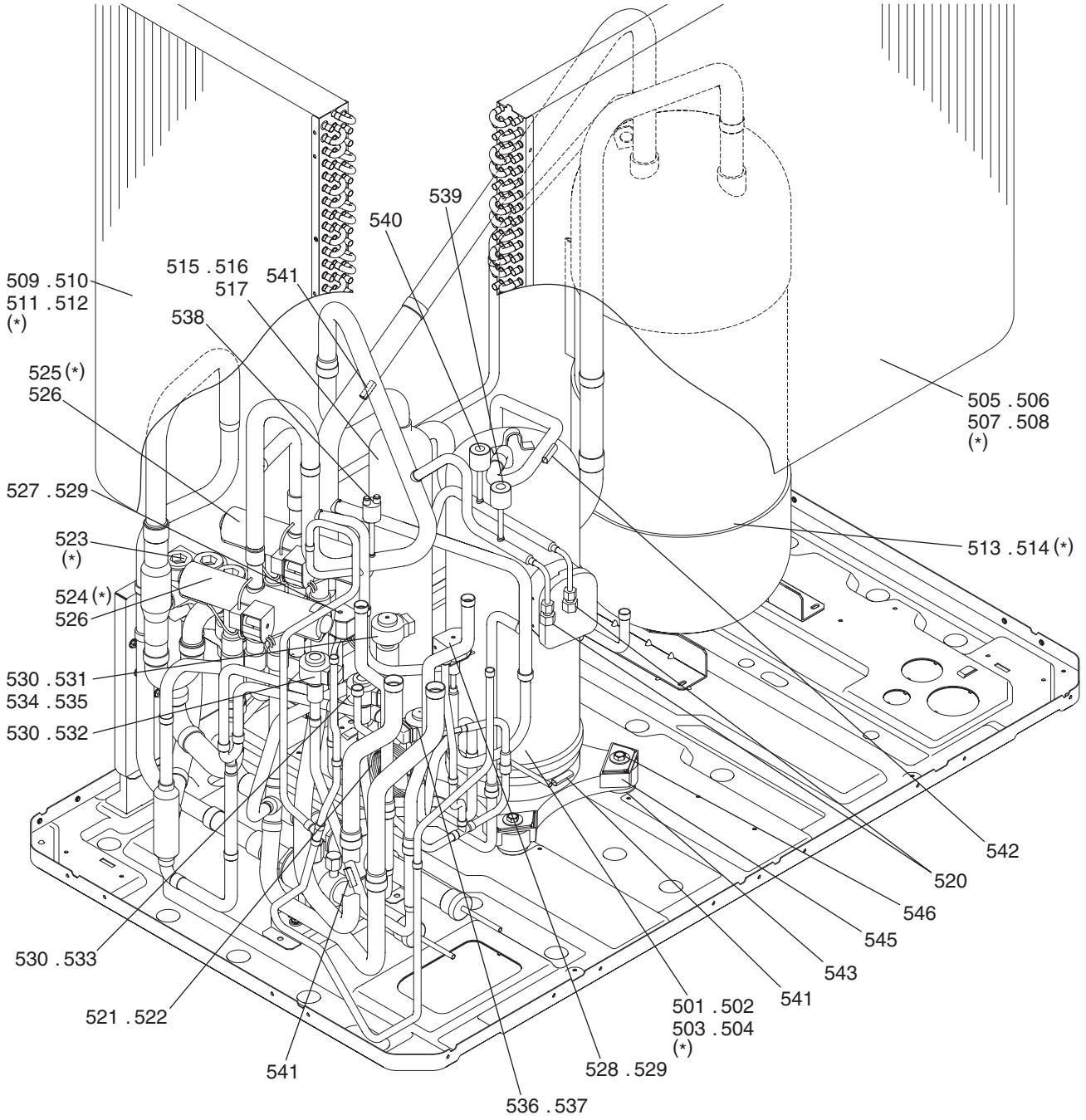




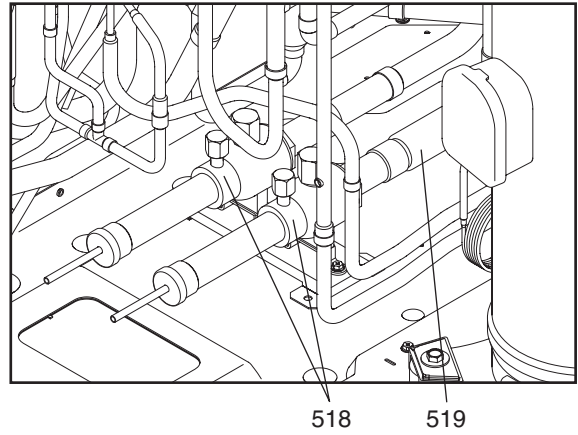
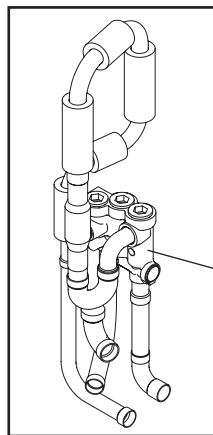
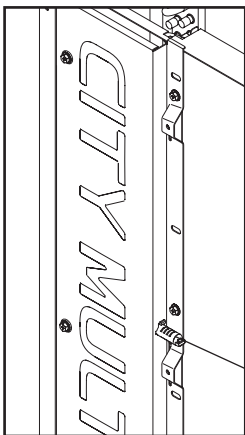
\* with instructions







\* with instructions



| No. | Part No.    | Part Name                   | Spec.               | PURY-P96TNU-A | PURY-P96TNU-A-BS | PURY-P120TNU-A | PURY-P120TNU-A-BS | PURY-P144TNU-A | PURY-P144TNU-A-BS | Dwg. No.    | Notes for the models | Revision info. |
|-----|-------------|-----------------------------|---------------------|---------------|------------------|----------------|-------------------|----------------|-------------------|-------------|----------------------|----------------|
| 501 | R69 162 478 | Scroll compressor SP kit    | ENB62FD-UH          | 1             | 1                |                |                   |                |                   | EP10132B15  | *                    |                |
| 502 | R69 164 478 | Scroll compressor SP kit    | HNS68FA-U           |               |                  | 1              | 1                 | 1              | 1                 | EP10157B02  | *                    |                |
| 503 | R69 163 478 | Scroll compressor SP kit    | ENB62FD-YEH         |               |                  |                |                   |                |                   | EP10132B16  | *                    |                |
| 504 | R69 165 478 | Scroll compressor SP kit    | HNS68FA-YE          |               |                  |                |                   |                |                   | EP10157B01  | *                    |                |
| 505 | R61 F55 480 | Heat exchanger SP kit       | 2L F                | 1             |                  | 1              |                   |                |                   | KJ00H791G03 | *                    |                |
| 506 | R61 F56 480 | Heat exchanger SP kit       | 2L F BS             |               | 1                |                | 1                 |                |                   | KJ00H791G04 | *                    |                |
| 507 | R61 F57 480 | Heat exchanger SP kit       | 3L F                |               |                  |                |                   | 1              |                   | KJ00H793G03 | *                    |                |
| 508 | R61 F58 480 | Heat exchanger SP kit       | 3L F BS             |               |                  |                |                   |                | 1                 | KJ00H793G04 | *                    |                |
| 509 | R61 F59 480 | Heat exchanger SP kit       | 2L R                | 1             |                  | 1              |                   |                |                   | KJ00H792G03 | *                    |                |
| 510 | R61 F60 480 | Heat exchanger SP kit       | 2L R BS             |               | 1                |                | 1                 |                |                   | KJ00H792G04 | *                    |                |
| 511 | R61 F61 480 | Heat exchanger SP kit       | 3L R                |               |                  |                |                   | 1              |                   | KJ00H794G03 | *                    |                |
| 512 | R61 F62 480 | Heat exchanger SP kit       | 3L R BS             |               |                  |                |                   |                | 1                 | KJ00H794G04 | *                    |                |
| 513 | R61 154 484 | Accumulator assy SP kit     |                     | 1             |                  | 1              |                   | 1              |                   | KS00D242G11 | *                    |                |
| 514 | R61 157 484 | Accumulator assy SP kit     | BS                  |               | 1                |                | 1                 |                | 1                 | KS00D242G12 | *                    |                |
| 515 | R61 059 487 | Oil separator assy          |                     | 1             | 1                |                |                   |                |                   | KL00L263G01 |                      |                |
| 516 | R61 060 487 | Oil separator assy          |                     |               |                  | 1              | 1                 |                |                   | KL00L207G01 |                      |                |
| 517 | R61 061 487 | Oil separator assy          |                     |               |                  |                |                   | 1              | 1                 | KL00L287G01 |                      |                |
| 518 | R61 019 410 | Ball valve                  | SBV10-005           | 2             | 2                | 2              | 2                 | 2              | 2                 | P636404X01  | <BV1,BV2>            |                |
| 519 | R61 015 454 | Strainer                    | 28.6D-25.4D         | 1             | 1                | 1              | 1                 | 1              | 1                 | P641144X01  | <ST1>                |                |
| 520 | R61 007 413 | Check joint L               | TCJ-2GME-5          | 2             | 2                | 2              | 2                 | 2              | 2                 | KR50C388H01 | <CJ1,CJ2>            |                |
| 521 | R63 002 425 | Capillary tube assy         |                     | 1             | 1                |                |                   |                |                   | KB49F229G01 | <CP1>                |                |
| 522 | R61 014 425 | Capillary tube assy         |                     |               |                  | 1              | 1                 | 1              | 1                 | KB49M503G01 | <CP1>                |                |
| 523 | R61 092 418 | CV block SP kit             |                     | 1             | 1                | 1              | 1                 | 1              | 1                 | KS00D243G02 | <CV BLOCK,CV5a>*     |                |
| 524 | R61 020 403 | Four way valve A SP kit     |                     | 1             | 1                | 1              | 1                 | 1              | 1                 | KS00D244G03 | <21S4a>*             |                |
| 525 | R61 021 403 | Four way valve B SP kit     |                     | 1             | 1                | 1              | 1                 | 1              | 1                 | KS00D244G04 | <21S4b>*             |                |
| 526 | R61 019 242 | Four way valve coil         | SQ-A2520D-000028-RK | 2             | 2                | 2              | 2                 | 2              | 2                 | P472128X01  | <21S4a,21S4b>        |                |
| 527 | R63 046 232 | Solenoid valve              | FDFA2A77            | 1             | 1                | 1              | 1                 | 1              | 1                 | P631312X01  | <SV1a>               |                |
| 528 | R13 018 921 | Solenoid valve              | FDFA4A-016-RK       | 1             | 1                | 1              | 1                 | 1              | 1                 | P631311X01  | <SV2>                |                |
| 529 | R61 069 243 | Solenoid valve coil         | FQ-A0120D-001734-RK | 2             | 2                | 2              | 2                 | 2              | 2                 | P472129X01  | <SV1a,SV2>           |                |
| 530 | R61 107 401 | Linear expansion valve      | PAM-BB0YGMD-2       | 3             | 3                | 3              | 3                 | 2              | 2                 | KR50C486H01 | <LEV2a,LEV2b,LEV2d>  |                |
| 531 | R61 112 401 | Linear expansion valve      | PDM-BD130MD-1       |               |                  |                |                   | 1              | 1                 | P632630X01  | <LEV2d>              |                |
| 532 | R61 108 401 | Linear expansion valve coil | PAM-MD12MD-17       | 1             | 1                | 1              | 1                 | 1              | 1                 | P472109X01  | <LEV2a>              |                |
| 533 | R61 109 401 | Linear expansion valve coil | PAM-MD12MD-18       | 1             | 1                | 1              | 1                 | 1              | 1                 | P472110X01  | <LEV2b>              |                |
| 534 | R61 110 401 | Linear expansion valve coil | PAM-MD12MD-25       | 1             | 1                | 1              | 1                 |                |                   | KR50C487H01 | <LEV2d>              |                |
| 535 | R61 113 401 | Linear expansion valve coil | PAM-MD12MD-20       |               |                  |                |                   | 1              | 1                 | P472112X01  | <LEV2d>              |                |
| 536 | R63 R34 401 | Linear expansion valve      | CAM-B35YGMD-2       | 1             | 1                | 1              | 1                 | 1              | 1                 | P632416X01  | <LEV9>               |                |
| 537 | R61 111 401 | Linear expansion valve coil | CAM-MD12MD-125      | 1             | 1                | 1              | 1                 | 1              | 1                 | P472113X01  | <LEV9>               |                |
| 538 | R61 052 208 | Pressure switch             | ACB-1UB179W         | 1             | 1                | 1              | 1                 | 1              | 1                 | P426346X01  | <63H>                |                |
| 539 | R61 098 288 | Pressure sensor             | NSK-BH042D-501      | 1             | 1                | 1              | 1                 | 1              | 1                 | KB00H904G32 | <63HS>               |                |
| 540 | R61 138 288 | Pressure sensor             | NSK-BH017D-602      | 1             | 1                | 1              | 1                 | 1              | 1                 | KB00H904G33 | <63LS>               | Chg.           |
| 541 | R61 345 200 | Thermistor                  | PXM-41E-M112-1Y     | 4             | 4                | 4              | 4                 | 4              | 4                 | P418167X01  | <TH3,TH5,TH7,TH15>   |                |
| 542 | R63 911 202 | Thermistor                  |                     | 1             | 1                | 1              | 1                 | 1              | 1                 | P425416X02  | <TH4>                |                |
| 543 | R63 852 860 | Rubber mount                |                     | 4             | 4                | 4              | 4                 | 4              | 4                 | W897574H01  | For compressor       |                |
| 544 | R61 001 310 | Sensor holder               |                     | 1             | 1                | 1              | 1                 | 1              | 1                 | KB25B471G02 |                      |                |
| 545 | R61 027 155 | Attachment (HH)             |                     | 2             | 2                | 2              | 2                 | 2              | 2                 | KJ00F713G04 |                      |                |



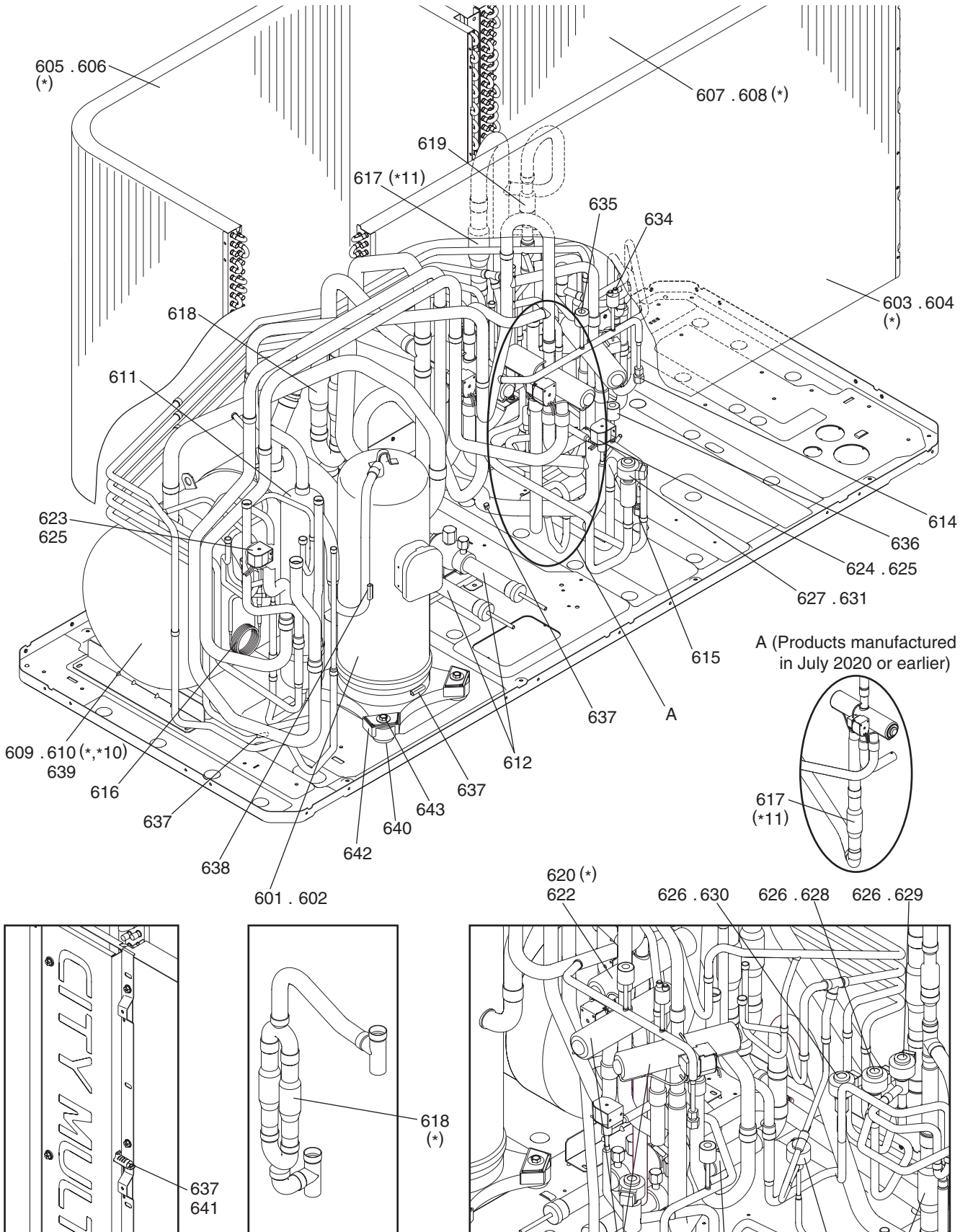
| No. | Part No.    | Part Name                   | Spec.               | PURY-P96YNU-A | PURY-P96YNU-A-BS | PURY-P120YNU-A | PURY-P120YNU-A-BS | PURY-P144YNU-A | PURY-P144YNU-A-BS | Dwg. No.    | Notes for the models | Revision info. |
|-----|-------------|-----------------------------|---------------------|---------------|------------------|----------------|-------------------|----------------|-------------------|-------------|----------------------|----------------|
| 501 | R69 162 478 | Scroll compressor SP kit    | ENB62FD-UH          |               |                  |                |                   |                |                   | EP10132B15  | *                    |                |
| 502 | R69 164 478 | Scroll compressor SP kit    | HNS68FA-U           |               |                  |                |                   |                |                   | EP10157B02  | *                    |                |
| 503 | R69 163 478 | Scroll compressor SP kit    | ENB62FD-YEH         | 1             | 1                |                |                   |                |                   | EP10132B16  | *                    |                |
| 504 | R69 165 478 | Scroll compressor SP kit    | HNS68FA-YE          |               |                  | 1              | 1                 | 1              | 1                 | EP10157B01  | *                    |                |
| 505 | R61 F55 480 | Heat exchanger SP kit       | 2L F                | 1             | 1                |                |                   |                |                   | KJ00H791G03 | *                    |                |
| 506 | R61 F56 480 | Heat exchanger SP kit       | 2L F BS             |               | 1                | 1              |                   |                |                   | KJ00H791G04 | *                    |                |
| 507 | R61 F57 480 | Heat exchanger SP kit       | 3L F                |               |                  |                |                   | 1              |                   | KJ00H793G03 | *                    |                |
| 508 | R61 F58 480 | Heat exchanger SP kit       | 3L F BS             |               |                  |                |                   | 1              |                   | KJ00H793G04 | *                    |                |
| 509 | R61 F59 480 | Heat exchanger SP kit       | 2L R                | 1             | 1                |                |                   |                |                   | KJ00H792G03 | *                    |                |
| 510 | R61 F60 480 | Heat exchanger SP kit       | 2L R BS             |               | 1                | 1              |                   |                |                   | KJ00H792G04 | *                    |                |
| 511 | R61 F61 480 | Heat exchanger SP kit       | 3L R                |               |                  |                |                   | 1              |                   | KJ00H794G03 | *                    |                |
| 512 | R61 F62 480 | Heat exchanger SP kit       | 3L R BS             |               |                  |                |                   | 1              |                   | KJ00H794G04 | *                    |                |
| 513 | R61 154 484 | Accumulator assy SP kit     |                     | 1             | 1                |                | 1                 |                |                   | KS00D242G11 | *                    |                |
| 514 | R61 157 484 | Accumulator assy SP kit     | BS                  |               | 1                | 1              |                   | 1              |                   | KS00D242G12 | *                    |                |
| 515 | R61 059 487 | Oil separator assy          |                     | 1             | 1                |                |                   |                |                   | KL00L263G01 |                      |                |
| 516 | R61 060 487 | Oil separator assy          |                     |               |                  | 1              | 1                 |                |                   | KL00L207G01 |                      |                |
| 517 | R61 061 487 | Oil separator assy          |                     |               |                  |                |                   | 1              | 1                 | KL00L287G01 |                      |                |
| 518 | R61 019 410 | Ball valve                  | SBV10-005           | 2             | 2                | 2              | 2                 | 2              | 2                 | P636404X01  | <BV1,BV2>            |                |
| 519 | R61 015 454 | Strainer                    | 28.6D-25.4D         | 1             | 1                | 1              | 1                 | 1              | 1                 | P641144X01  | <ST1>                |                |
| 520 | R61 007 413 | Check joint L               | TCJ-2GME-5          | 2             | 2                | 2              | 2                 | 2              | 2                 | KR50C388H01 | <CJ1,CJ2>            |                |
| 521 | R63 002 425 | Capillary tube assy         |                     | 1             | 1                |                |                   |                |                   | KB49F229G01 | <CP1>                |                |
| 522 | R61 014 425 | Capillary tube assy         |                     |               |                  | 1              | 1                 | 1              | 1                 | KB49M503G01 | <CP1>                |                |
| 523 | R61 092 418 | CV block SP kit             |                     | 1             | 1                | 1              | 1                 | 1              | 1                 | KS00D243G02 | <CV BLOCK,CV5a>*     |                |
| 524 | R61 020 403 | Four way valve A SP kit     |                     | 1             | 1                | 1              | 1                 | 1              | 1                 | KS00D244G03 | <21S4a>*             |                |
| 525 | R61 021 403 | Four way valve B SP kit     |                     | 1             | 1                | 1              | 1                 | 1              | 1                 | KS00D244G04 | <21S4b>*             |                |
| 526 | R61 019 242 | Four way valve coil         | SQ-A2520D-000028-RK | 2             | 2                | 2              | 2                 | 2              | 2                 | P472128X01  | <21S4a,21S4b>        |                |
| 527 | R63 046 232 | Solenoid valve              | FDFA2A77            | 1             | 1                | 1              | 1                 | 1              | 1                 | P631312X01  | <SV1a>               |                |
| 528 | R13 018 921 | Solenoid valve              | FDFA4A-016-RK       | 1             | 1                | 1              | 1                 | 1              | 1                 | P631311X01  | <SV2>                |                |
| 529 | R61 069 243 | Solenoid valve coil         | FQ-A0120D-001734-RK | 2             | 2                | 2              | 2                 | 2              | 2                 | P472129X01  | <SV1a,SV2>           |                |
| 530 | R61 107 401 | Linear expansion valve      | PAM-BB0YGMD-2       | 3             | 3                | 3              | 3                 | 2              | 2                 | KR50C486H01 | <LEV2a,LEV2b,LEV2d>  |                |
| 531 | R61 112 401 | Linear expansion valve      | PDM-BD130MD-1       |               |                  |                |                   | 1              | 1                 | P632630X01  | <LEV2d>              |                |
| 532 | R61 108 401 | Linear expansion valve coil | PAM-MD12MD-17       | 1             | 1                | 1              | 1                 | 1              | 1                 | P472109X01  | <LEV2a>              |                |
| 533 | R61 109 401 | Linear expansion valve coil | PAM-MD12MD-18       | 1             | 1                | 1              | 1                 | 1              | 1                 | P472110X01  | <LEV2b>              |                |
| 534 | R61 110 401 | Linear expansion valve coil | PAM-MD12MD-25       | 1             | 1                | 1              | 1                 |                |                   | KR50C487H01 | <LEV2d>              |                |
| 535 | R61 113 401 | Linear expansion valve coil | PAM-MD12MD-20       |               |                  |                |                   | 1              | 1                 | P472112X01  | <LEV2d>              |                |
| 536 | R63 R34 401 | Linear expansion valve      | CAM-B35YGMD-2       | 1             | 1                | 1              | 1                 | 1              | 1                 | P632416X01  | <LEV9>               |                |
| 537 | R61 111 401 | Linear expansion valve coil | CAM-MD12MD-125      | 1             | 1                | 1              | 1                 | 1              | 1                 | P472113X01  | <LEV9>               |                |
| 538 | R61 052 208 | Pressure switch             | ACB-1UB179W         | 1             | 1                | 1              | 1                 | 1              | 1                 | P426346X01  | <63H>                |                |
| 539 | R61 098 288 | Pressure sensor             | NSK-BH042D-501      | 1             | 1                | 1              | 1                 | 1              | 1                 | KB00H904G32 | <63HS>               |                |
| 540 | R61 138 288 | Pressure sensor             | NSK-BH017D-602      | 1             | 1                | 1              | 1                 | 1              | 1                 | KB00H904G33 | <63LS>               | Chg.           |
| 541 | R61 345 200 | Thermistor                  | PXM-41E-M112-1Y     | 4             | 4                | 4              | 4                 | 4              | 4                 | P418167X01  | <TH3,TH5,TH7,TH15>   |                |
| 542 | R63 911 202 | Thermistor                  |                     | 1             | 1                | 1              | 1                 | 1              | 1                 | P425416X02  | <TH4>                |                |
| 543 | R63 852 860 | Rubber mount                |                     | 4             | 4                | 4              | 4                 | 4              | 4                 | W897574H01  | For compressor       |                |
| 544 | R61 001 310 | Sensor holder               |                     | 1             | 1                | 1              | 1                 | 1              | 1                 | KB25B471G02 |                      |                |
| 545 | R61 027 155 | Attachment (HH)             |                     | 2             | 2                | 2              | 2                 | 2              | 2                 | KJ00F713G04 |                      |                |



| No. | Part No.    | Part Name | Spec. |               |                  |                |                   |                |                   | Dwg. No.    | Notes for the models | Revision info. |
|-----|-------------|-----------|-------|---------------|------------------|----------------|-------------------|----------------|-------------------|-------------|----------------------|----------------|
|     |             |           |       | PURY-P96YNU-A | PURY-P96YNU-A-BS | PURY-P120YNU-A | PURY-P120YNU-A-BS | PURY-P144YNU-A | PURY-P144YNU-A-BS |             |                      |                |
| 546 | R61 009 306 | Bolt      | M6    | 4             | 4                | 4              | 4                 | 4              | 4                 | KJ12F711H05 |                      |                |
|     |             |           |       |               |                  |                |                   |                |                   |             |                      |                |
|     |             |           |       |               |                  |                |                   |                |                   |             |                      |                |
|     |             |           |       |               |                  |                |                   |                |                   |             |                      |                |
|     |             |           |       |               |                  |                |                   |                |                   |             |                      |                |
|     |             |           |       |               |                  |                |                   |                |                   |             |                      |                |
|     |             |           |       |               |                  |                |                   |                |                   |             |                      |                |
|     |             |           |       |               |                  |                |                   |                |                   |             |                      |                |
|     |             |           |       |               |                  |                |                   |                |                   |             |                      |                |
|     |             |           |       |               |                  |                |                   |                |                   |             |                      |                |
|     |             |           |       |               |                  |                |                   |                |                   |             |                      |                |
|     |             |           |       |               |                  |                |                   |                |                   |             |                      |                |
|     |             |           |       |               |                  |                |                   |                |                   |             |                      |                |
|     |             |           |       |               |                  |                |                   |                |                   |             |                      |                |
|     |             |           |       |               |                  |                |                   |                |                   |             |                      |                |
|     |             |           |       |               |                  |                |                   |                |                   |             |                      |                |
|     |             |           |       |               |                  |                |                   |                |                   |             |                      |                |
|     |             |           |       |               |                  |                |                   |                |                   |             |                      |                |
|     |             |           |       |               |                  |                |                   |                |                   |             |                      |                |
|     |             |           |       |               |                  |                |                   |                |                   |             |                      |                |
|     |             |           |       |               |                  |                |                   |                |                   |             |                      |                |
|     |             |           |       |               |                  |                |                   |                |                   |             |                      |                |
|     |             |           |       |               |                  |                |                   |                |                   |             |                      |                |
|     |             |           |       |               |                  |                |                   |                |                   |             |                      |                |
|     |             |           |       |               |                  |                |                   |                |                   |             |                      |                |
|     |             |           |       |               |                  |                |                   |                |                   |             |                      |                |
|     |             |           |       |               |                  |                |                   |                |                   |             |                      |                |
|     |             |           |       |               |                  |                |                   |                |                   |             |                      |                |
|     |             |           |       |               |                  |                |                   |                |                   |             |                      |                |

PURY-P168TNU-A(-BS)  
 PURY-P168YNU-A(-BS)

FUNCTIONAL PARTS (3)



\* with instructions

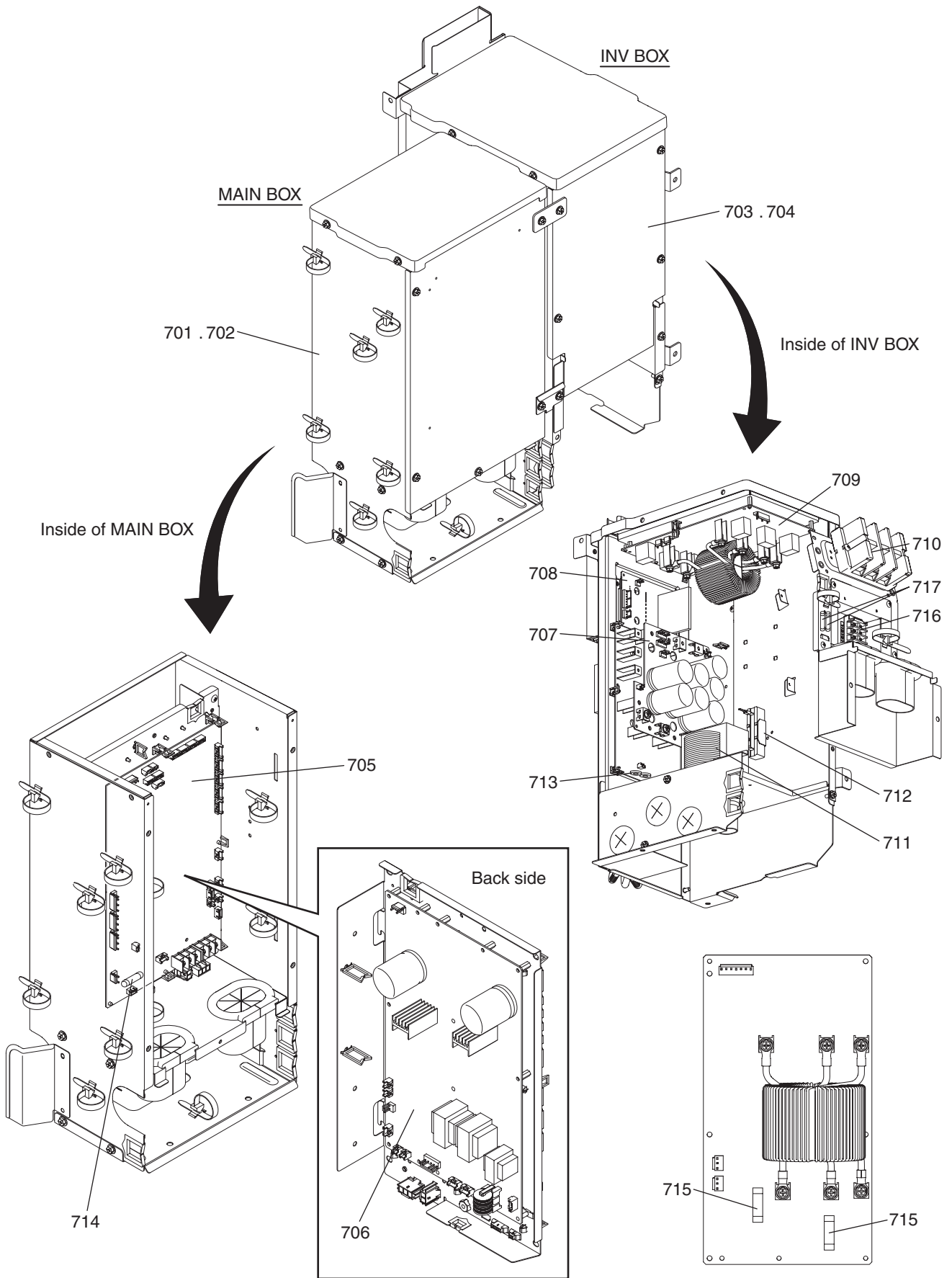
\*10 When part No.609 or No.610 is replaced, order part No.639 to replace.

\*11 The quantity of the parts required depends on the manufacturing date of the products to be used.

July 2020 or earlier (Serial numbers up to 07W\*\*\*\*): 3 pieces

August 2020 or later (Serial numbers 08W\*\*\*\* or later): 2 pieces

| No. | Part No.    | Part Name                   | Spec.               | PURY-P168TNU-A | PURY-P168TNU-A-BS | PURY-P168YNU-A | PURY-P168YNU-A-BS | Dwg. No.    | Notes for the models       | Revision info. |
|-----|-------------|-----------------------------|---------------------|----------------|-------------------|----------------|-------------------|-------------|----------------------------|----------------|
| 601 | R69 166 478 | Scroll compressor           | HNB97FB-U           | 1              | 1                 |                |                   | EP10148B05  |                            |                |
| 602 | R69 171 478 | Scroll compressor           | HNB97FB-YE          |                |                   | 1              | 1                 | EP10148B04  |                            |                |
| 603 | R61 F63 480 | Heat exchanger SP kit       | 2L F                | 1              |                   | 1              |                   | KJ00K927G01 | *                          |                |
| 604 | R61 F64 480 | Heat exchanger SP kit       | 2L F BS             |                | 1                 |                | 1                 | KJ00K927G02 | *                          |                |
| 605 | R61 F65 480 | Heat exchanger SP kit       | 2L L                | 1              |                   | 1              |                   | KJ00K928G01 | *                          |                |
| 606 | R61 F68 480 | Heat exchanger SP kit       | 2L L BS             |                | 1                 |                | 1                 | KJ00K928G02 | *                          |                |
| 607 | R61 F69 480 | Heat exchanger SP kit       | 2L R                | 1              |                   | 1              |                   | KJ00K929G01 | *                          |                |
| 608 | R61 F78 480 | Heat exchanger SP kit       | 2L R BS             |                | 1                 |                | 1                 | KJ00K929G02 | *                          |                |
| 609 | R61 158 484 | Accumulator assy SP kit     |                     | 1              |                   | 1              |                   | KS00D242G13 | **10                       |                |
| 610 | R61 159 484 | Accumulator assy SP kit     | BS                  |                | 1                 |                | 1                 | KS00D242G14 | **10                       |                |
| 611 | R61 062 487 | Oil separator assy          |                     | 1              | 1                 | 1              | 1                 | KL00L164G01 |                            |                |
| 612 | R61 019 410 | Ball valve                  | SBV10-005           | 2              | 2                 | 2              | 2                 | P636404X01  | <BV1,BV2>                  |                |
| 613 | R61 016 454 | Strainer                    | 28.6D-28.8D         | 1              | 1                 | 1              | 1                 | P641146X01  | <ST1>                      |                |
| 614 | R61 008 413 | Check joint                 | TCJ-2GME-4          | 1              | 1                 | 1              | 1                 | KR50C379H01 | <CJ1>                      |                |
| 615 | R63 R34 413 | Check joint L               | R410A               | 1              | 1                 | 1              | 1                 | P666004X02  | <CJ2>                      |                |
| 616 | R63 R55 425 | Capillary tube assy         |                     | 1              | 1                 | 1              | 1                 | W905191G02  | <CP1>                      |                |
| 617 | R61 065 418 | Check valve                 | YBV-22Y9GMD-2       | 3              | 3                 | 3              | 3                 | P639183X02  | <CV1b,CV3a,CV5a>*11        | Chg.           |
| 618 | R61 091 418 | CV assy SP kit              |                     | 1              | 1                 | 1              | 1                 | KS00D243G04 | <CV2a,CV2b>*               |                |
| 619 | R61 019 418 | Check valve                 | UCV-A1507DQ4        | 1              | 1                 | 1              | 1                 | P633135X01  | <CV6a>                     |                |
| 620 | R61 022 403 | Four way valve A SP kit     |                     | 1              | 1                 | 1              | 1                 | KS00D244G05 | <21S4a>*                   |                |
| 621 | R61 013 403 | Four way valve              | STF-H0731           | 2              | 2                 | 2              | 2                 | P633130X01  | <21S4b,21S4c>              |                |
| 622 | R61 020 242 | Four way valve coil         | STF-H01AQ2422UA1    | 3              | 3                 | 3              | 3                 | P472130X01  | <21S4a,21S4b,21S4c>        |                |
| 623 | R63 046 232 | Solenoid valve              | FD2A77              | 1              | 1                 | 1              | 1                 | P631312X01  | <SV1a>                     |                |
| 624 | R13 018 921 | Solenoid valve              | FD4A-016-RK         | 1              | 1                 | 1              | 1                 | P631311X01  | <SV2>                      |                |
| 625 | R61 069 243 | Solenoid valve coil         | FQ-A0120D-001734-RK | 2              | 2                 | 2              | 2                 | P472129X01  | <SV1a,SV2>                 |                |
| 626 | R61 107 401 | Linear expansion valve      | PAM-BB0YGMD-2       | 3              | 3                 | 3              | 3                 | KR50C486H01 | <LEV2a,LEV2b,LEV2c>        |                |
| 627 | R61 112 401 | Linear expansion valve      | PDM-BD130MD-1       | 1              | 1                 | 1              | 1                 | P632630X01  | <LEV2d>                    |                |
| 628 | R61 108 401 | Linear expansion valve coil | PAM-MD12MD-17       | 1              | 1                 | 1              | 1                 | P472109X01  | <LEV2a>                    |                |
| 629 | R61 109 401 | Linear expansion valve coil | PAM-MD12MD-18       | 1              | 1                 | 1              | 1                 | P472110X01  | <LEV2b>                    |                |
| 630 | R61 114 401 | Linear expansion valve coil | PAM-MD12MD-19       | 1              | 1                 | 1              | 1                 | P472111X01  | <LEV2c>                    |                |
| 631 | R61 113 401 | Linear expansion valve coil | PAM-MD12MD-20       | 1              | 1                 | 1              | 1                 | P472112X01  | <LEV2d>                    |                |
| 632 | R63 R34 401 | Linear expansion valve      | CAM-B35YGMD-2       | 1              | 1                 | 1              | 1                 | P632416X01  | <LEV9>                     |                |
| 633 | R61 111 401 | Linear expansion valve coil | CAM-MD12MD-125      | 1              | 1                 | 1              | 1                 | P472113X01  | <LEV9>                     |                |
| 634 | R61 052 208 | Pressure switch             | ACB-1UB179W         | 1              | 1                 | 1              | 1                 | P426346X01  | <63H>                      |                |
| 635 | R61 108 288 | Pressure sensor             | NSK-BH042D-501      | 1              | 1                 | 1              | 1                 | KB00H904G36 | <63HS>                     |                |
| 636 | R61 109 288 | Pressure sensor             | NSK-BH017D-602      | 1              | 1                 | 1              | 1                 | KB00H904G37 | <63LS>                     |                |
| 637 | R61 345 200 | Thermistor                  | PXM-41E-M112-1Y     | 4              | 4                 | 4              | 4                 | P418167X01  | <TH3,TH5,TH7,TH15>         |                |
| 638 | R63 911 202 | Thermistor                  |                     | 1              | 1                 | 1              | 1                 | P425416X02  | <TH4>                      |                |
| 639 | R61 018 237 | ACC heater kit              |                     | 1              | 1                 | 1              | 1                 | KJ00K930G01 | <TH16,TH17,TH18,CH20,CH21> |                |
| 640 | R63 852 860 | Rubber mount                |                     | 4              | 4                 | 4              | 4                 | W897574H01  | For compressor             |                |
| 641 | R61 001 310 | Sensor holder               |                     | 1              | 1                 | 1              | 1                 | KB25B471G02 |                            |                |
| 642 | R61 027 155 | Attachment (HH)             |                     | 4              | 4                 | 4              | 4                 | KJ00F713G04 |                            |                |
| 643 | R61 009 306 | Bolt                        | M6                  | 4              | 4                 | 4              | 4                 | KJ12F711H05 |                            |                |
|     |             |                             |                     |                |                   |                |                   |             |                            |                |
|     |             |                             |                     |                |                   |                |                   |             |                            |                |

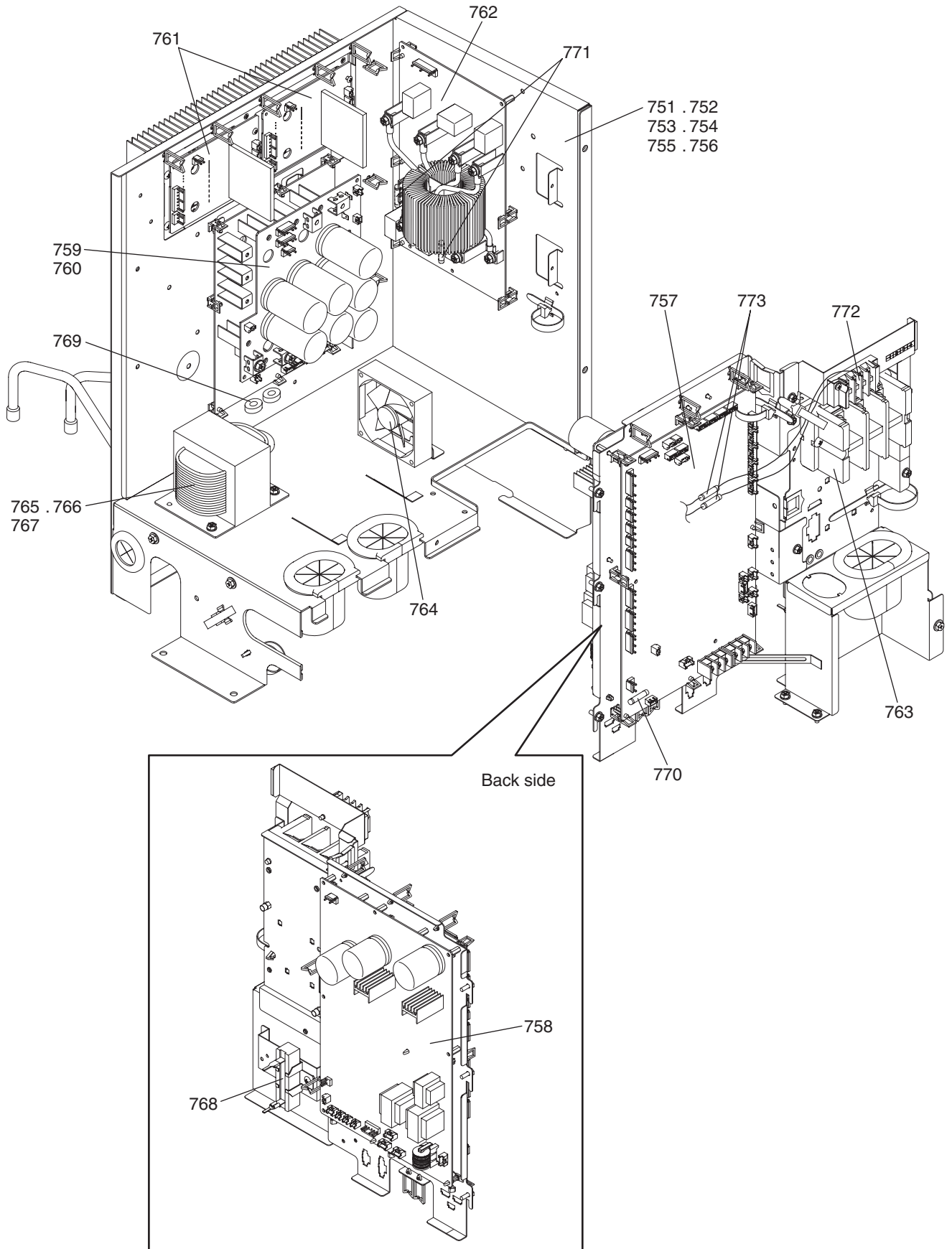


Notice: Consult your service agency when the wiring needs to be replaced.  
 (Replacing wiring will take about 2 months.)

**PURY-P72TNU-A  
PURY-P72TNU-A-BS**

**CONTROL BOX PARTS (1)**

| No. | Part No.    | Part Name         | Spec.          | PURY-P72TNU-A | PURY-P72TNU-A-BS |  |  |  |  |  | Dwg. No.    | Notes for the models | Revision info. |
|-----|-------------|-------------------|----------------|---------------|------------------|--|--|--|--|--|-------------|----------------------|----------------|
| 701 | R61 987 305 | Control box       | R-P72          | 1             |                  |  |  |  |  |  | KE00J169G23 | <MAIN BOX>           |                |
| 702 | R61 988 305 | Control box       | R-P72 BS       |               | 1                |  |  |  |  |  | KE00J169G24 | <MAIN BOX>           |                |
| 703 | R61 989 305 | Control box       | R-P72          | 1             |                  |  |  |  |  |  | KE00J170G21 | <INV BOX>            |                |
| 704 | R61 990 305 | Control box       | R-P72 BS       |               | 1                |  |  |  |  |  | KE00J170G22 | <INV BOX>            |                |
| 705 | R61 587 280 | Control board     |                | 1             | 1                |  |  |  |  |  | KE80G597G02 | <MAIN12>             |                |
| 706 | R61 588 280 | PS board          |                | 1             | 1                |  |  |  |  |  | KE80G590G03 | <PS02>               |                |
| 707 | R61 589 280 | INV board         |                | 1             | 1                |  |  |  |  |  | KE80G593G03 | <INV38+CAP07>        |                |
| 708 | R61 591 280 | Fan board         |                | 1             | 1                |  |  |  |  |  | KE80G738G02 | <INV/S16>            |                |
| 709 | R61 050 293 | Noise filter      |                | 1             | 1                |  |  |  |  |  | KE80G598G05 | <Noise filter>       |                |
| 710 | R61 026 246 | Terminal block    |                | 1             | 1                |  |  |  |  |  | S436007H02  | <TB1>                |                |
| 711 | R61 070 259 | Reactor           |                | 1             | 1                |  |  |  |  |  | KR65C583H01 | <DCL>                |                |
| 712 | R63 670 234 | Resistor          |                | 1             | 1                |  |  |  |  |  | P411113X01  | <R1>                 |                |
| 713 | R61 015 287 | AC Current sensor |                | 1             | 1                |  |  |  |  |  | P418087X01  | <ACCT1,2>            |                |
| 714 | R61 018 239 | Fuse              | 3.15A AC250V T | 1             | 1                |  |  |  |  |  | YE81D827H02 |                      |                |
| 715 | R61 006 239 | Fuse              | 6.3A AC250V T  | 2             | 2                |  |  |  |  |  | S423001H42  |                      |                |
| 716 | R61 054 246 | Terminal block    |                | 1             | 1                |  |  |  |  |  | KJ73K017G01 |                      |                |
| 717 | R61 440 239 | Fuse              | 1A AC250V T    | 2             | 2                |  |  |  |  |  | S423004H03  |                      |                |
|     |             |                   |                |               |                  |  |  |  |  |  |             |                      |                |
|     |             |                   |                |               |                  |  |  |  |  |  |             |                      |                |
|     |             |                   |                |               |                  |  |  |  |  |  |             |                      |                |
|     |             |                   |                |               |                  |  |  |  |  |  |             |                      |                |
|     |             |                   |                |               |                  |  |  |  |  |  |             |                      |                |
|     |             |                   |                |               |                  |  |  |  |  |  |             |                      |                |
|     |             |                   |                |               |                  |  |  |  |  |  |             |                      |                |
|     |             |                   |                |               |                  |  |  |  |  |  |             |                      |                |
|     |             |                   |                |               |                  |  |  |  |  |  |             |                      |                |
|     |             |                   |                |               |                  |  |  |  |  |  |             |                      |                |
|     |             |                   |                |               |                  |  |  |  |  |  |             |                      |                |
|     |             |                   |                |               |                  |  |  |  |  |  |             |                      |                |
|     |             |                   |                |               |                  |  |  |  |  |  |             |                      |                |
|     |             |                   |                |               |                  |  |  |  |  |  |             |                      |                |
|     |             |                   |                |               |                  |  |  |  |  |  |             |                      |                |
|     |             |                   |                |               |                  |  |  |  |  |  |             |                      |                |
|     |             |                   |                |               |                  |  |  |  |  |  |             |                      |                |
|     |             |                   |                |               |                  |  |  |  |  |  |             |                      |                |
|     |             |                   |                |               |                  |  |  |  |  |  |             |                      |                |
|     |             |                   |                |               |                  |  |  |  |  |  |             |                      |                |

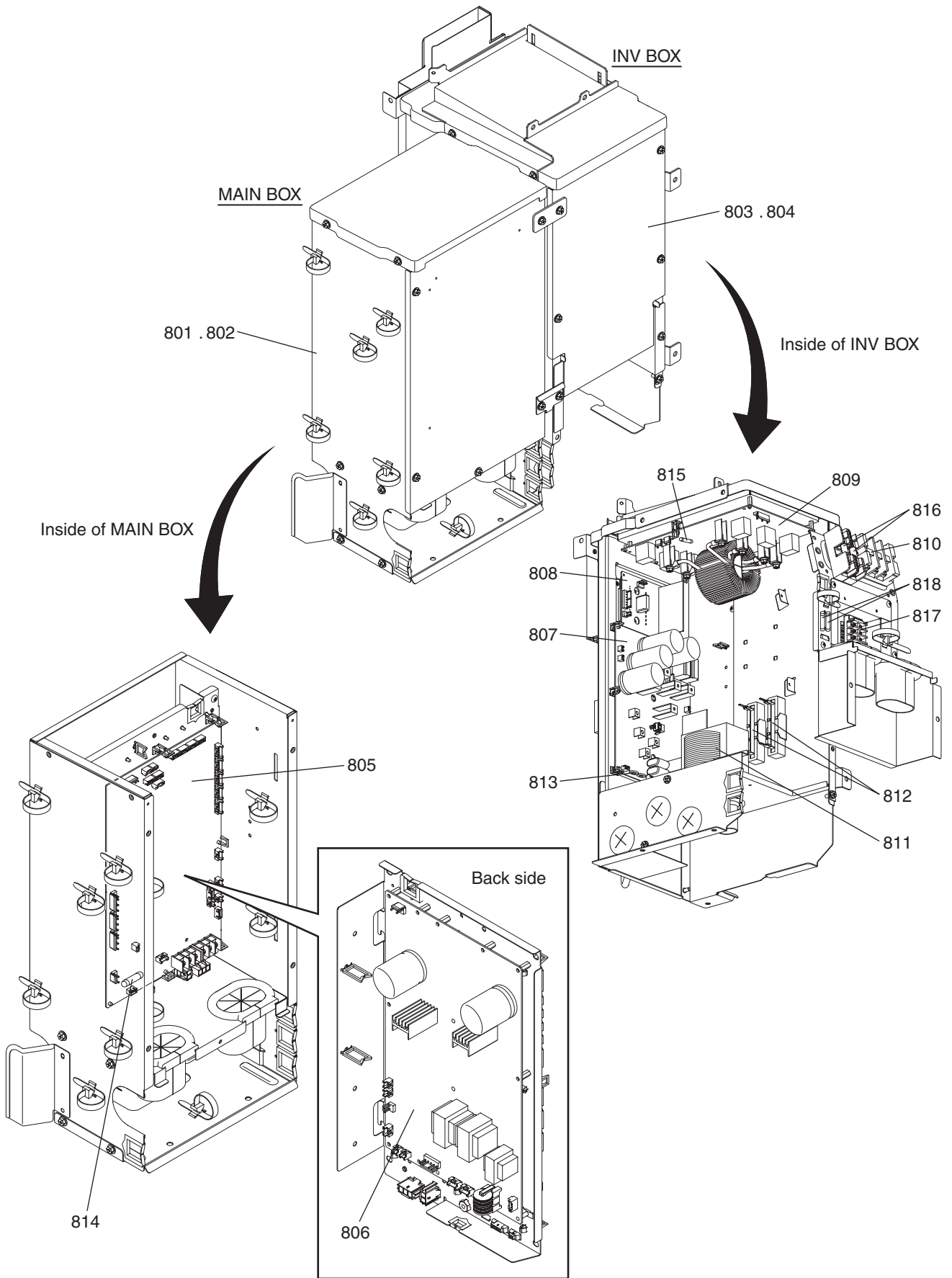


Notice: Consult your service agency when the wiring needs to be replaced.  
 (Replacing wiring will take about 2 months.)

| No. | Part No.    | Part Name         | Spec.          | PURY-P96TNU-A | PURY-P96TNU-A-BS | PURY-P120TNU-A | PURY-P120TNU-A-BS | PURY-P144TNU-A | PURY-P144TNU-A-BS | Dwg. No.    | Notes for the models | Revision info. |
|-----|-------------|-------------------|----------------|---------------|------------------|----------------|-------------------|----------------|-------------------|-------------|----------------------|----------------|
| 751 | R61 991 305 | Control box       | R-P96          | 1             |                  |                |                   |                |                   | KE00J171G39 |                      |                |
| 752 | R61 992 305 | Control box       | R-P96 BS       |               | 1                |                |                   |                |                   | KE00J171G40 |                      |                |
| 753 | R61 993 305 | Control box       | R-P120/144     |               |                  | 1              |                   | 1              |                   | KE00J171G41 |                      |                |
| 754 | R61 994 305 | Control box       | R-P120/144 BS  |               |                  |                | 1                 |                | 1                 | KE00J171G42 |                      |                |
| 755 | R61 995 305 | Control box       | R-P168         |               |                  |                |                   |                |                   | KE00J171G43 |                      |                |
| 756 | R61 996 305 | Control box       | R-P168 BS      |               |                  |                |                   |                |                   | KE00J171G44 |                      |                |
| 757 | R61 587 280 | Control board     |                | 1             | 1                | 1              | 1                 | 1              | 1                 | KE80G597G02 | <MAIN12>             |                |
| 758 | R61 594 280 | PS board          |                | 1             | 1                | 1              | 1                 | 1              | 1                 | KE80G590G05 | <PS board>           |                |
| 759 | R61 589 280 | INV board         |                | 1             | 1                |                |                   |                |                   | KE80G593G03 | <INV38+CAP07>        |                |
| 760 | R61 595 280 | INV board         |                |               |                  | 1              | 1                 | 1              | 1                 | KE80G593G02 | <INV38+CAP07>        |                |
| 761 | R61 591 280 | Fan board         |                | 2             | 2                | 2              | 2                 | 2              | 2                 | KE80G738G02 | <INV/S16>            |                |
| 762 | R61 050 293 | Noise filter      |                | 1             | 1                | 1              | 1                 | 1              | 1                 | KE80G598G05 | <Noise filter>       |                |
| 763 | R61 026 246 | Terminal block    |                | 1             | 1                | 1              | 1                 | 1              | 1                 | S436007H02  | <TB1>                |                |
| 764 | R61 054 114 | Fan               |                | 1             | 1                | 1              | 1                 | 1              | 1                 | KR55C407H02 | <FAN>                |                |
| 765 | R61 070 259 | Reactor           |                | 1             | 1                |                |                   |                |                   | KR65C583H01 | <DCL>                |                |
| 766 | R61 071 259 | Reactor           |                |               |                  | 1              | 1                 | 1              | 1                 | KR65C584H01 | <DCL>                |                |
| 767 | R61 072 259 | Reactor           |                |               |                  |                |                   |                |                   | KR65C585H01 | <DCL>                |                |
| 768 | R63 670 234 | Resistor          |                | 1             | 1                | 1              | 1                 | 1              | 1                 | P411113X01  | <R1>                 |                |
| 769 | R61 015 287 | AC Current sensor |                | 1             | 1                | 1              | 1                 | 1              | 1                 | P418087X01  | <ACCT1,2>            |                |
| 770 | R61 018 239 | Fuse              | 3.15A AC250V T | 1             | 1                | 1              | 1                 | 1              | 1                 | YE81D827H02 |                      |                |
| 771 | R61 006 239 | Fuse              | 6.3A AC250V T  | 2             | 2                | 2              | 2                 | 2              | 2                 | S423001H42  |                      |                |
| 772 | R61 054 246 | Terminal block    |                | 1             | 1                | 1              | 1                 | 1              | 1                 | KJ73K017G01 |                      |                |
| 773 | R61 440 239 | Fuse              | 1A AC250V T    | 2             | 2                | 2              | 2                 | 2              | 2                 | S423004H03  |                      |                |
|     |             |                   |                |               |                  |                |                   |                |                   |             |                      |                |
|     |             |                   |                |               |                  |                |                   |                |                   |             |                      |                |
|     |             |                   |                |               |                  |                |                   |                |                   |             |                      |                |
|     |             |                   |                |               |                  |                |                   |                |                   |             |                      |                |
|     |             |                   |                |               |                  |                |                   |                |                   |             |                      |                |
|     |             |                   |                |               |                  |                |                   |                |                   |             |                      |                |
|     |             |                   |                |               |                  |                |                   |                |                   |             |                      |                |
|     |             |                   |                |               |                  |                |                   |                |                   |             |                      |                |
|     |             |                   |                |               |                  |                |                   |                |                   |             |                      |                |
|     |             |                   |                |               |                  |                |                   |                |                   |             |                      |                |
|     |             |                   |                |               |                  |                |                   |                |                   |             |                      |                |
|     |             |                   |                |               |                  |                |                   |                |                   |             |                      |                |
|     |             |                   |                |               |                  |                |                   |                |                   |             |                      |                |
|     |             |                   |                |               |                  |                |                   |                |                   |             |                      |                |
|     |             |                   |                |               |                  |                |                   |                |                   |             |                      |                |
|     |             |                   |                |               |                  |                |                   |                |                   |             |                      |                |
|     |             |                   |                |               |                  |                |                   |                |                   |             |                      |                |
|     |             |                   |                |               |                  |                |                   |                |                   |             |                      |                |

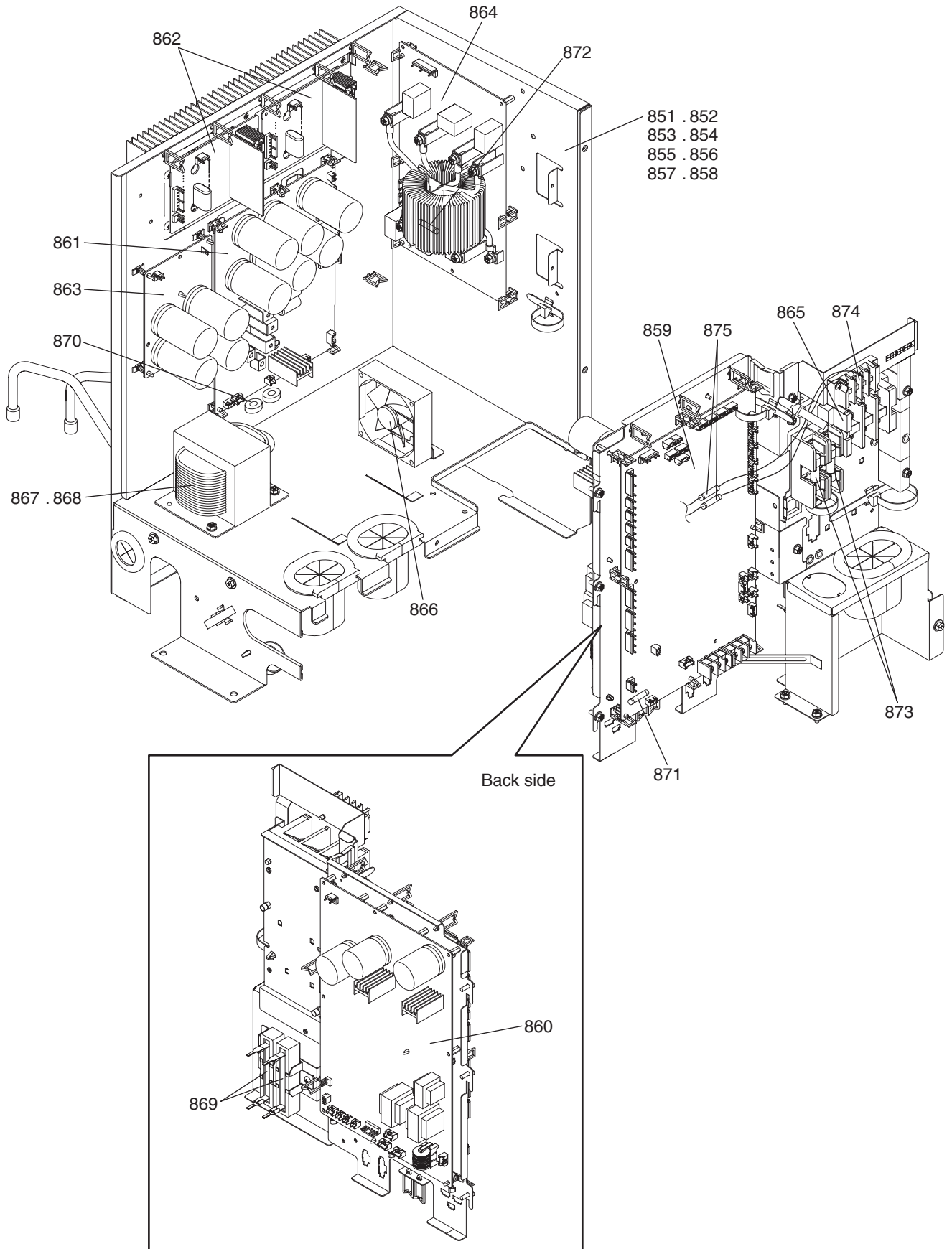






Notice: Consult your service agency when the wiring needs to be replaced.  
(Replacing wiring will take about 2 months.)





Notice: Consult your service agency when the wiring needs to be replaced.  
 (Replacing wiring will take about 2 months.)

PURY-P96,P120,P144,P168YNU-A  
PURY-P96,P120,P144,P168YNU-A-BS

CONTROL BOX PARTS (4)

| No. | Part No.    | Part Name         | Spec.          | PURY-P96YNU-A | PURY-P96YNU-A-BS | PURY-P120YNU-A | PURY-P120YNU-A-BS | PURY-P144YNU-A | PURY-P144YNU-A-BS | Dwg. No.    | Notes for the models | Revision info. |
|-----|-------------|-------------------|----------------|---------------|------------------|----------------|-------------------|----------------|-------------------|-------------|----------------------|----------------|
|     |             |                   |                |               |                  |                |                   |                |                   |             |                      |                |
| 851 | R61 A03 305 | Control box       | R-P96          | 1             |                  |                |                   |                |                   | KE00J171G23 |                      |                |
| 852 | R61 A04 305 | Control box       | R-P96 BS       |               | 1                |                |                   |                |                   | KE00J171G24 |                      |                |
| 853 | R61 A05 305 | Control box       | R-P120         |               |                  | 1              |                   |                |                   | KE00J171G25 |                      |                |
| 854 | R61 A06 305 | Control box       | R-P120 BS      |               |                  |                | 1                 |                |                   | KE00J171G26 |                      |                |
| 855 | R61 A07 305 | Control box       | R-P144         |               |                  |                |                   | 1              |                   | KE00J171G27 |                      |                |
| 856 | R61 A08 305 | Control box       | R-P144 BS      |               |                  |                |                   |                | 1                 | KE00J171G28 |                      |                |
| 857 | R61 A09 305 | Control box       | R-P168         |               |                  |                |                   |                |                   | KE00J171G29 |                      |                |
| 858 | R61 A10 305 | Control box       | R-P168 BS      |               |                  |                |                   |                |                   | KE00J171G30 |                      |                |
| 859 | R61 587 280 | Control board     |                | 1             | 1                | 1              | 1                 | 1              | 1                 | KE80G597G02 | <MAIN12>             |                |
| 860 | R61 594 280 | PS board          |                | 1             | 1                | 1              | 1                 | 1              | 1                 | KE80G590G05 | <PS board>           |                |
| 861 | R61 598 280 | INV board         |                | 1             | 1                | 1              | 1                 | 1              | 1                 | KE80G592G03 | <INV42Y>             |                |
| 862 | R61 597 280 | Fan board         |                | 2             | 2                | 2              | 2                 | 2              | 2                 | KE80G738G03 | <INV/S19Y>           |                |
| 863 | R61 600 280 | Capacitor board   |                | 1             | 1                | 1              | 1                 | 1              | 1                 | KE80G594G03 | <CAP06Y>             |                |
| 864 | R61 051 293 | Noise filter      |                | 1             | 1                | 1              | 1                 | 1              | 1                 | KE80G598G04 | <Noise filter>       |                |
| 865 | R61 N18 246 | Terminal block    |                | 1             | 1                | 1              | 1                 | 1              | 1                 | S436005H01  | <TB1>                |                |
| 866 | R61 054 114 | Fan               |                | 1             | 1                | 1              | 1                 | 1              | 1                 | KR55C407H02 | <FAN>                |                |
| 867 | R61 074 259 | Reactor           |                | 1             | 1                | 1              | 1                 |                |                   | KR65C400H02 | <DCL>                |                |
| 868 | R61 075 259 | Reactor           |                |               |                  |                |                   | 1              | 1                 | KR65C402H02 | <DCL>                |                |
| 869 | R61 001 234 | Resistor          |                | 2             | 2                | 2              | 2                 | 2              | 2                 | P411151X01  | <R1,R5>              |                |
| 870 | R61 015 287 | AC Current sensor |                | 1             | 1                | 1              | 1                 | 1              | 1                 | P418087X01  | <ACCT1,2>            |                |
| 871 | R61 018 239 | Fuse              | 3.15A AC250V T | 1             | 1                | 1              | 1                 | 1              | 1                 | YE81D827H02 |                      |                |
| 872 | R61 006 239 | Fuse              | 6.3A AC250V T  | 1             | 1                | 1              | 1                 | 1              | 1                 | S423001H42  |                      |                |
| 873 | R61 009 239 | Fuse              | 6A AC600V F    | 2             | 2                | 2              | 2                 | 2              | 2                 | S423005H08  |                      |                |
| 874 | R61 054 246 | Terminal block    |                | 1             | 1                | 1              | 1                 | 1              | 1                 | KJ73K017G01 |                      |                |
| 875 | R61 440 239 | Fuse              | 1A AC250V T    | 2             | 2                | 2              | 2                 | 2              | 2                 | S423004H03  |                      |                |

| No. | Part No.    | Part Name         | Spec.          | PURY-P168YNU-A | PURY-P168YNU-A-BS |  |  |  | Dwg. No.    | Notes for the models | Revision info. |
|-----|-------------|-------------------|----------------|----------------|-------------------|--|--|--|-------------|----------------------|----------------|
| 851 | R61 A03 305 | Control box       | R-P96          |                |                   |  |  |  | KE00J171G23 |                      |                |
| 852 | R61 A04 305 | Control box       | R-P96 BS       |                |                   |  |  |  | KE00J171G24 |                      |                |
| 853 | R61 A05 305 | Control box       | R-P120         |                |                   |  |  |  | KE00J171G25 |                      |                |
| 854 | R61 A06 305 | Control box       | R-P120 BS      |                |                   |  |  |  | KE00J171G26 |                      |                |
| 855 | R61 A07 305 | Control box       | R-P144         |                |                   |  |  |  | KE00J171G27 |                      |                |
| 856 | R61 A08 305 | Control box       | R-P144 BS      |                |                   |  |  |  | KE00J171G28 |                      |                |
| 857 | R61 A09 305 | Control box       | R-P168         | 1              |                   |  |  |  | KE00J171G29 |                      |                |
| 858 | R61 A10 305 | Control box       | R-P168 BS      |                | 1                 |  |  |  | KE00J171G30 |                      |                |
| 859 | R61 587 280 | Control board     |                | 1              | 1                 |  |  |  | KE80G597G02 | <MAIN12>             |                |
| 860 | R61 594 280 | PS board          |                | 1              | 1                 |  |  |  | KE80G590G05 | <PS board>           |                |
| 861 | R61 598 280 | INV board         |                | 1              | 1                 |  |  |  | KE80G592G03 | <INV42Y>             |                |
| 862 | R61 597 280 | Fan board         |                | 2              | 2                 |  |  |  | KE80G738G03 | <INV/S19Y>           |                |
| 863 | R61 600 280 | Capacitor board   |                | 1              | 1                 |  |  |  | KE80G594G03 | <CAP06Y>             |                |
| 864 | R61 051 293 | Noise filter      |                | 1              | 1                 |  |  |  | KE80G598G04 | <Noise filter>       |                |
| 865 | R61 N18 246 | Terminal block    |                | 1              | 1                 |  |  |  | S436005H01  | <TB1>                |                |
| 866 | R61 054 114 | Fan               |                | 1              | 1                 |  |  |  | KR55C407H02 | <FAN>                |                |
| 867 | R61 074 259 | Reactor           |                |                |                   |  |  |  | KR65C400H02 | <DCL>                |                |
| 868 | R61 075 259 | Reactor           |                | 1              | 1                 |  |  |  | KR65C402H02 | <DCL>                |                |
| 869 | R61 001 234 | Resistor          |                | 2              | 2                 |  |  |  | P411151X01  | <R1,R5>              |                |
| 870 | R61 015 287 | AC Current sensor |                | 1              | 1                 |  |  |  | P418087X01  | <ACCT1,2>            |                |
| 871 | R61 018 239 | Fuse              | 3.15A AC250V T | 1              | 1                 |  |  |  | YE81D827H02 |                      |                |
| 872 | R61 006 239 | Fuse              | 6.3A AC250V T  | 1              | 1                 |  |  |  | S423001H42  |                      |                |
| 873 | R61 009 239 | Fuse              | 6A AC600V F    | 2              | 2                 |  |  |  | S423005H08  |                      |                |
| 874 | R61 054 246 | Terminal block    |                | 1              | 1                 |  |  |  | KJ73K017G01 |                      |                |
| 875 | R61 440 239 | Fuse              | 1A AC250V T    | 2              | 2                 |  |  |  | S423004H03  |                      |                |
|     |             |                   |                |                |                   |  |  |  |             |                      |                |
|     |             |                   |                |                |                   |  |  |  |             |                      |                |
|     |             |                   |                |                |                   |  |  |  |             |                      |                |
|     |             |                   |                |                |                   |  |  |  |             |                      |                |
|     |             |                   |                |                |                   |  |  |  |             |                      |                |
|     |             |                   |                |                |                   |  |  |  |             |                      |                |
|     |             |                   |                |                |                   |  |  |  |             |                      |                |
|     |             |                   |                |                |                   |  |  |  |             |                      |                |
|     |             |                   |                |                |                   |  |  |  |             |                      |                |
|     |             |                   |                |                |                   |  |  |  |             |                      |                |
|     |             |                   |                |                |                   |  |  |  |             |                      |                |
|     |             |                   |                |                |                   |  |  |  |             |                      |                |
|     |             |                   |                |                |                   |  |  |  |             |                      |                |
|     |             |                   |                |                |                   |  |  |  |             |                      |                |
|     |             |                   |                |                |                   |  |  |  |             |                      |                |
|     |             |                   |                |                |                   |  |  |  |             |                      |                |
|     |             |                   |                |                |                   |  |  |  |             |                      |                |
|     |             |                   |                |                |                   |  |  |  |             |                      |                |

**mitsubishi**  
**MITSUBISHI ELECTRIC CORPORATION**

---

BWE01824A (20200731)