

SERVICE PARTS LIST FOR MITSUBISHI ELECTRIC PACKAGED AIR-CONDITIONERS

Series : SEZ-KD•NAR1.TH
SEZ-KD•NA4R1.TH

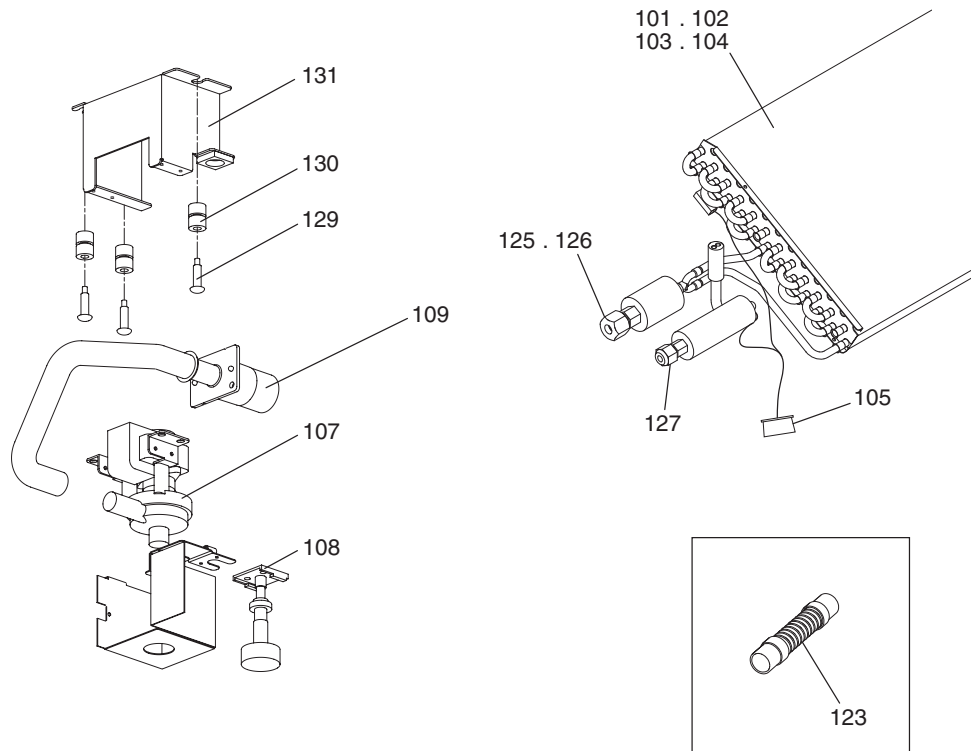
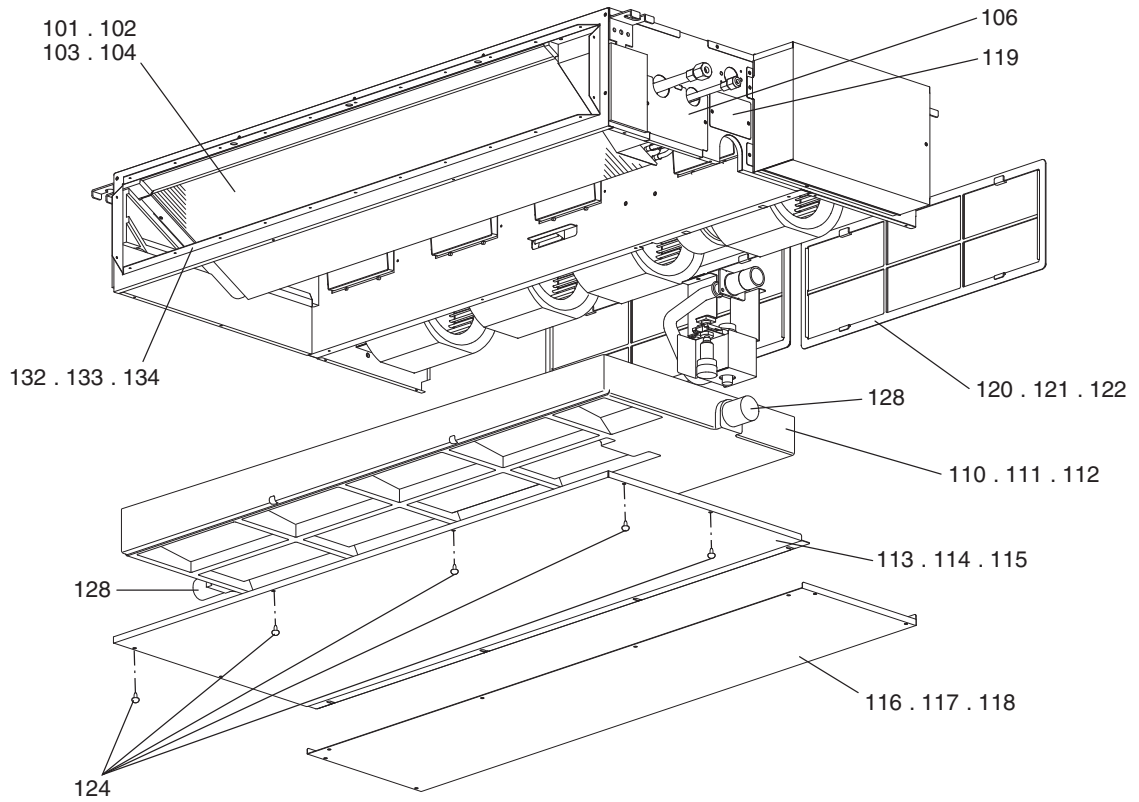
Mar. 2012

BWE11470

INDEX
SEZ-KD09NAR1.TH
SEZ-KD12NAR1.TH
SEZ-KD15NAR1.TH
SEZ-KD18NAR1.TH
SEZ-KD09NA4R1.TH
SEZ-KD12NA4R1.TH
SEZ-KD15NA4R1.TH
SEZ-KD18NA4R1.TH

SEZ-KD09,KD12,KD15,KD18NAR1.TH
SEZ-KD09,KD12,KD15,KD18NA4R1.TH

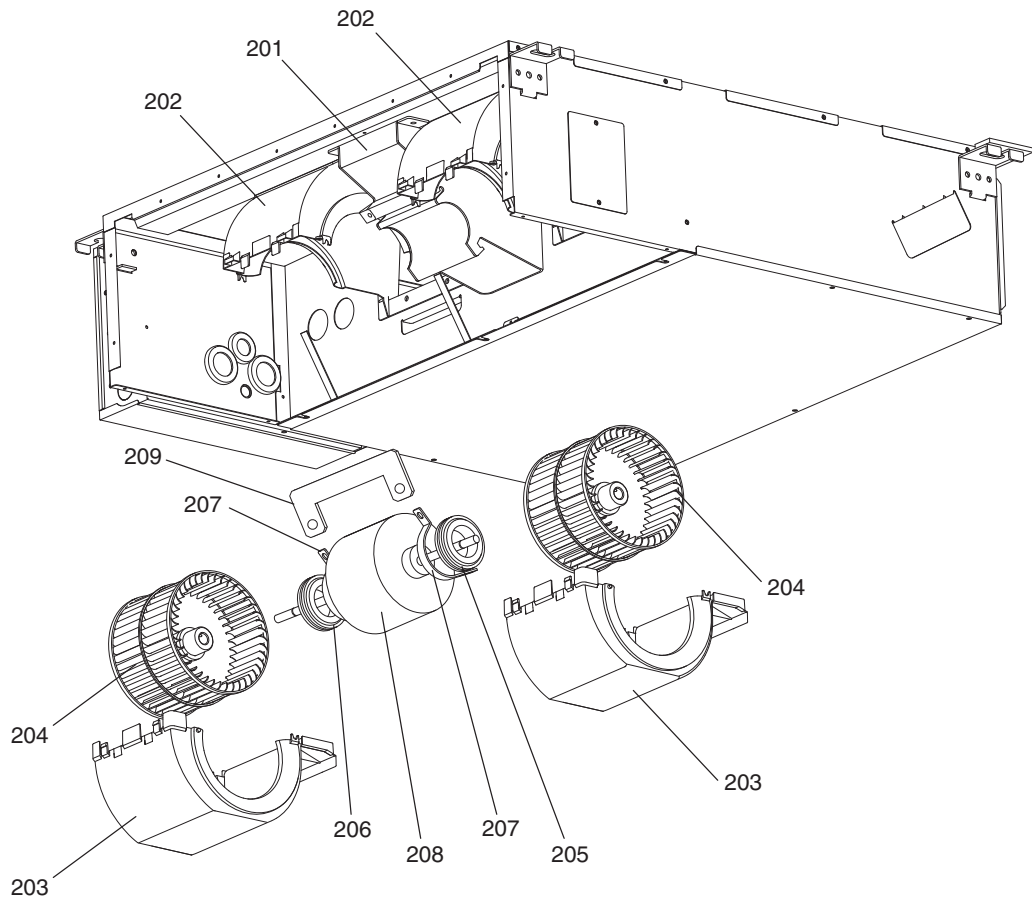
EXTERNAL PARTS



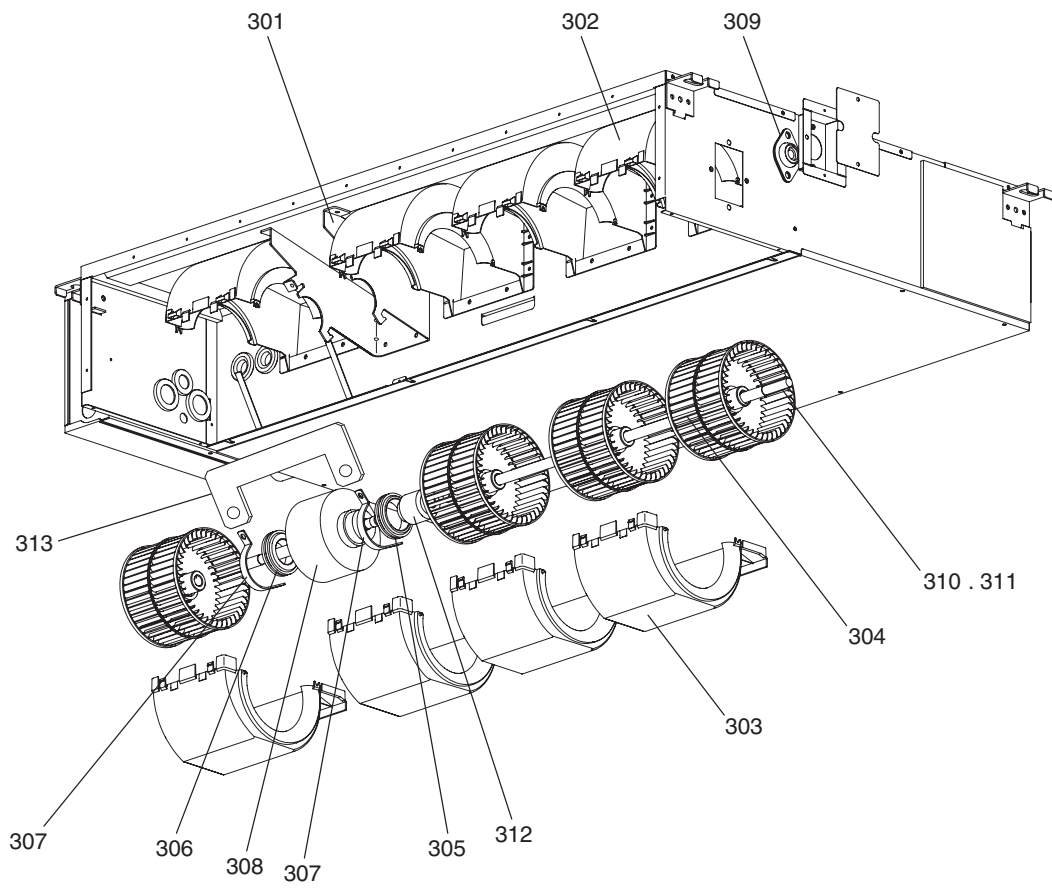
SEZ-KD09,KD12,KD15,KD18NAR1.TH EXTERNAL PARTS
 SEZ-KD09,KD12,KD15,KD18NA4R1.TH

No.	Part No.	G : RoHS Apply Only W : RoHS Apply by Running Change	Spec.	SEZ-KD09NARI.TH	SEZ-KD12NARI.TH	SEZ-KD15NARI.TH	SEZ-KD18NARI.TH	SEZ-KD09NA4R1.TH	SEZ-KD12NA4R1.TH	Dwg. No.	Notes for the models	Revision info.
		Part Name										
101	E17 319 620	G	HEAT EXCHANGER <K25>	1				1		KB00A073B01		
102	E17 320 620	G	HEAT EXCHANGER <K35>		1				1	KB00A076B01		
103	E17 321 620	G	HEAT EXCHANGER <K50>			1				KB00A076B02		
104	E17 531 620	G	HEAT EXCHANGER <K60>				1			KB00A078B03		
105	E17 319 307	G	THERMISTOR	1	1	1	1	1	1	RG71V202G01		
106	E17 319 690	G	COVER PIPE ASSY	1	1	1	1	1	1	KB00H214G02		
107	E17 409 355	G	PUMP PLD	1	1	1	1	1	1	KB56B515H02		
108	E17 409 145	G	FLOAT SWITCH	1	1	1	1	1	1	BH68C952H02		
109	E17 409 704	G	SOCKET ASSY	1	1	1	1	1	1	KB00G754G01		
110	E17 472 700	G	DRAIN PAN S ASSY	1				1		KB00G775G16		
111	E17 475 700	G	DRAIN PAN M ASSY		1	1				KB00G775G17		
112	E17 477 700	G	DRAIN PAN L ASSY				1			KB00G775G18		
113	E17 472 717	G	PANEL UNDER 1 S ASSY	1				1		KB00G776G10		
114	E17 475 717	G	PANEL UNDER 1 M ASSY		1	1			1	KB00G776G11		
115	E17 477 717	G	PANEL UNDER 1 L ASSY				1			KB00G776G12		
116	E17 319 718	G	PANEL UNDER 2 S	1				1		KB02B455G02		
117	E17 320 718	G	PANEL UNDER 2 M		1	1		1		KB02B457G01		
118	E17 326 718	G	PANEL UNDER 2 L				1			KB02A071G02		
119	E17 409 690	G	COVER ASSY	1	1	1	1	1	1	KB00H222G03		
120	E17 319 100	G	FILTER 15	1				1		KB35B272G02		
121	E17 320 100	G	FILTER 40		1	1			1	KB35B207G02		
122	E17 326 100	G	FILTER 63				2			KB35B208G02		
123	E17 319 702	G	DRAIN HOSE	1	1	1	1	1	1	KB27T150H02		
124	E17 319 250	G	SCREW ASSY	4	5	5	5	4	5	KB12H389G01		
125	E17 321 660	G	NUT FLARE 1/2			1	1			BG12S008H01		
126	E17 319 660	G	NUT FLARE 3/8	1	1			1	1	Z211A143H06		
127	E17 320 660	G	NUT FLARE 1/4	1	1	1	1	1	1	Z211A143H01		
128	E17 414 524	G	PLUG RUBBER	2	2	2	2	2	2	KB26H049H01		
129	E17 548 250	G	SCREW SPECIAL M4x6	3	3	3	3	3	3	Z003Z333H05		
130	DB26F013L01	G	CUSHION	3	3	3	3	3	3	DB26F013L01		
131	KB00M769G02	G	ATTACHMENT PUMP	1	1	1	1	1	1	KB00M769G02		
132	E17 528 800	G	PANEL DUCT S ASSY	1				1		KB00G751G07		
133	E17 529 800	G	PANEL DUCT M ASSY		1	1			1	KB00G751G08		
134	E17 531 800	G	PANEL DUCT L ASSY				1			KB00G751G09		

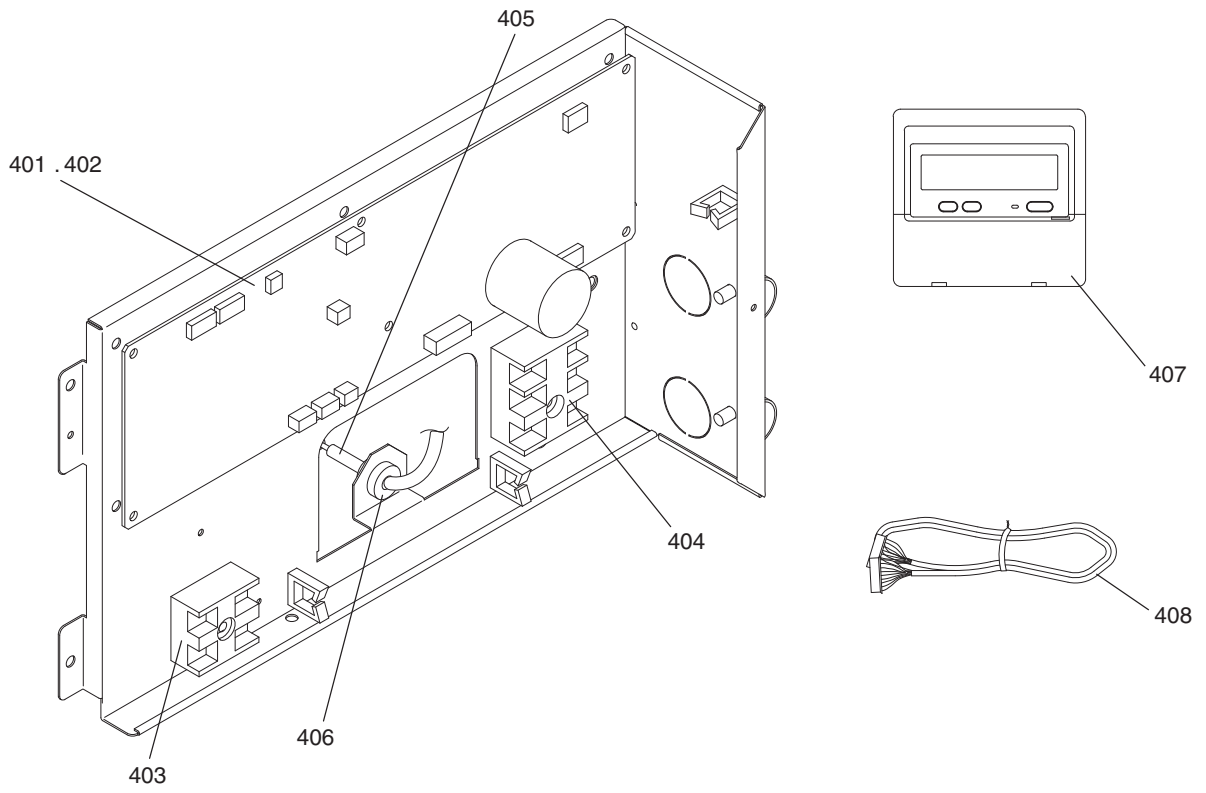
No.	Part No.	G : RoHS Apply Only W : RoHS Apply by Running Change		Spec.	SEZ-KD15NAR1.TH	SEZ-KD18NAR1.TH				Dwg. No.	Notes for the models	Revision info.
			Part Name									
101	E17 319 620	G	HEAT EXCHANGER	<K25>						KB00A073B01		
102	E17 320 620	G	HEAT EXCHANGER	<K35>						KB00A076B01		
103	E17 321 620	G	HEAT EXCHANGER	<K50>	1					KB00A076B02		
104	E17 531 620	G	HEAT EXCHANGER	<K60>		1				KB00A078B03		
105	E17 319 307	G	THERMISTOR		1	1				RG71V202G01		
106	E17 319 690	G	COVER PIPE ASSY		1	1				KB00H214G02		
107	E17 409 355	G	PUMP	PLD	1	1				KB56B515H02		
108	E17 409 145	G	FLOAT SWITCH		1	1				BH68C952H02		
109	E17 409 704	G	SOCKET ASSY		1	1				KB00G754G01		
110	E17 472 700	G	DRAIN PAN S ASSY							KB00G775G16		
111	E17 475 700	G	DRAIN PAN M ASSY		1					KB00G775G17		
112	E17 477 700	G	DRAIN PAN L ASSY			1				KB00G775G18		
113	E17 472 717	G	PANEL UNDER 1 S ASSY							KB00G776G10		
114	E17 475 717	G	PANEL UNDER 1 M ASSY		1					KB00G776G11		
115	E17 477 717	G	PANEL UNDER 1 L ASSY			1				KB00G776G12		
116	E17 319 718	G	PANEL UNDER 2 S							KB02B455G02		
117	E17 320 718	G	PANEL UNDER 2 M		1					KB02B457G01		
118	E17 326 718	G	PANEL UNDER 2 L			1				KB02A071G02		
119	E17 409 690	G	COVER ASSY		1	1				KB00H222G03		
120	E17 319 100	G	FILTER 15							KB35B272G02		
121	E17 320 100	G	FILTER 40		1					KB35B207G02		
122	E17 326 100	G	FILTER 63			2				KB35B208G02		
123	E17 319 702	G	DRAIN HOSE		1	1				KB27T150H02		
124	E17 319 250	G	SCREW ASSY		5	5				KB12H389G01		
125	E17 321 660	G	NUT FLARE	1/2	1	1				BG12S008H01		
126	E17 319 660	G	NUT FLARE	3/8						Z211A143H06		
127	E17 320 660	G	NUT FLARE	1/4	1	1				Z211A143H01		
128	E17 414 524	G	PLUG	RUBBER	2	2				KB26H049H01		
129	E17 548 250	G	SCREW SPECIAL	M4×6	3	3				Z003Z333H05		
130	DB26F013L01	G	CUSHION		3	3				DB26F013L01		
131	KB00M769G02	G	ATTACHMENT PUMP		1	1				KB00M769G02		
132	E17 528 800	G	PANEL DUCT S ASSY							KB00G751G07		
133	E17 529 800	G	PANEL DUCT M ASSY		1					KB00G751G08		
134	E17 531 800	G	PANEL DUCT L ASSY			1				KB00G751G09		



No.	Part No.	G : RoHS Apply Only W : RoHS Apply by Running Change		Spec.	SEZ-KD09NAR1.TH	SEZ-KD12NAR1.TH	SEZ-KD09NA4R1.TH	SEZ-KD12NA4R1.TH		Dwg. No.	Notes for the models	Revision info.
			Part Name									
201	E17 319 128	G	MOTOR BASE		1	1	1	1		KB02B464G02		
202	E17 319 129	G	FAN CASE A ASSY		2	2	2	2		KB00G773G03		
203	E17 320 129	G	FAN CASE B ASSY		2	2	2	2		KB00G774G03		
204	E17 319 500	G	SIROCCO FAN ASSY		2	2	2	2		KB00H341G01		
205	E17 319 505	G	RUBBER MOUNT L		1	1	1	1		KB31D833H03		
206	E17 320 505	G	RUBBER MOUNT R		1	1	1	1		KB31D833H04		
207	KB02H047G02	G	ATTACHMENT		2	2	2	2		KB02H047G02		
208	E17 319 300	G	MOTOR		1	1	1	1		KB61B503H03		
209	KB02U467G01	G	ATTACHMENT(M-LOCK)		1	1	1	1		KB02U467G01		



No.	Part No.	G : RoHS Apply Only W: RoHS Apply by Running Change		Spec.	SEZ-KD15NAR1.TH	SEZ-KD18NAR1.TH	SEZ-KD15NA4R1.TH	SEZ-KD18NA4R1.TH	Dwg. No.	Notes for the models	Revision info.
			Part Name								
301	E17 319 128	G	MOTOR BASE		1	1	1	1	KB02B464G02		
302	E17 319 129	G	FAN CASE A ASSY		3	4	3	4	KB00G773G03		
303	E17 320 129	G	FAN CASE B ASSY		3	4	3	4	KB00G774G03		
304	E17 319 500	G	SIROCCO FAN ASSY		3	4	3	4	KB00H341G01		
305	E17 319 505	G	RUBBER MOUNT L		1	1	1	1	KB31D833H03		
306	E17 320 505	G	RUBBER MOUNT R		1	1	1	1	KB31D833H04		
307	KB02H047G02	G	ATTACHMENT		2	2	2	2	KB02H047G02		
308	E17 321 300	G	MOTOR		1	1	1	1	KB61B504H03		
309	E17 321 509	G	BEARING		1	1	1	1	KB58C793G01		
310	E17 321 499	G	SHAFT 3FAN		1		1		KB10B485H03		
311	E17 326 499	G	SHAFT 4FAN			1		1	KB10B486H03		
312	E17 321 518	G	FAN JOINT ASSY		1	1	1	1	KB00R475G01		
313	KB02U467G01	G	ATTACHMENT(M-LOCK)		1	1	1	1	KB02U467G01		



SEZ-KD09,KD12,KD15,KD18NAR1.TH CONTROL BOX PARTS
 SEZ-KD09,KD12,KD15,KD18NA4R1.TH

No.	Part No.	G : RoHS Apply Only W : RoHS Apply by Running Change		Spec.							Dwg. No.	Notes for the models	Revision info.
		Part Name			SEZ-KD09NAR1.TH	SEZ-KD12NAR1.TH	SEZ-KD15NAR1.TH	SEZ-KD18NAR1.TH	SEZ-KD09NA4R1.TH	SEZ-KD12NA4R1.TH			
401	E17 528 447	G	PRINTED CIRCUIT ASSEMBLY	INDOOR	1	1	1	1			KE01D279B02		
402	E17 679 447	G	PRINTED CIRCUIT ASSEMBLY						1	1	KE01D279B04		
403	E17 156 375	G	TERMINAL BLOCK ASSY		1	1	1	1	1	1	BG00R200G62		
404	E17 162 375	G	TERMINAL BLOCK ASSY		1	1	1	1	1	1	BH00C267G02		
405	E17 319 308	G	THERMISTOR S	250XAP	1	1	1	1	1	1	RG71J628H01		
406	E17 319 013	G	BUSH	SRB-R-2	1	1	1	1	1	1	KB32K138H01		
407	E17 528 426	G	REMOTE CONTROLLER		1	1	1	1			KF00D079H01		
408	E17 018 089	G	CABLE	REMOTE CONTROLLER	1	1	1	1			BB78K214G05		

SEZ-KD09,KD12,KD15,KD18NAR1.TH CONTROL BOX PARTS
 SEZ-KD09,KD12,KD15,KD18NA4R1.TH

No.	Part No.	G : RoHS Apply Only W : RoHS Apply by Running Change		Spec.	SEZKD18NAR1.TH	SEZKD18NA4R1.TH			Dwg. No.	Notes for the models	Revision info.
			Part Name								
401	E17 528 447	G	PRINTED CIRCUIT ASSEMBLY	INDOOR					KE01D279B02		
402	E17 679 447	G	PRINTED CIRCUIT ASSEMBLY		1	1			KE01D279B04		
403	E17 156 375	G	TERMINAL BLOCK ASSY		1	1			BG00R200G62		
404	E17 162 375	G	TERMINAL BLOCK ASSY		1	1			BH00C267G02		
405	E17 319 308	G	THERMISTOR S	250XAP	1	1			RG71J628H01		
406	E17 319 013	G	BUSH	SRB-R-2	1	1			KB32K138H01		
407	E17 528 426	G	REMOTE CONTROLLER						KF00D079H01		
408	E17 018 089	G	CABLE	REMOTE CONTROLLER					BB78K214G05		

mitsubishi electric corporation

HEAD OFFICE: TOKYO BLDG., 2-7-3, MARUNOUCHI, CHIYODA-KU, TOKYO 100-8310, JAPAN

BWE11470 (20120331)