

SERVICE PARTS LIST FOR MITSUBISHI ELECTRIC PACKAGED AIR-CONDITIONERS

Series : SEZ-KD•NA4.TH

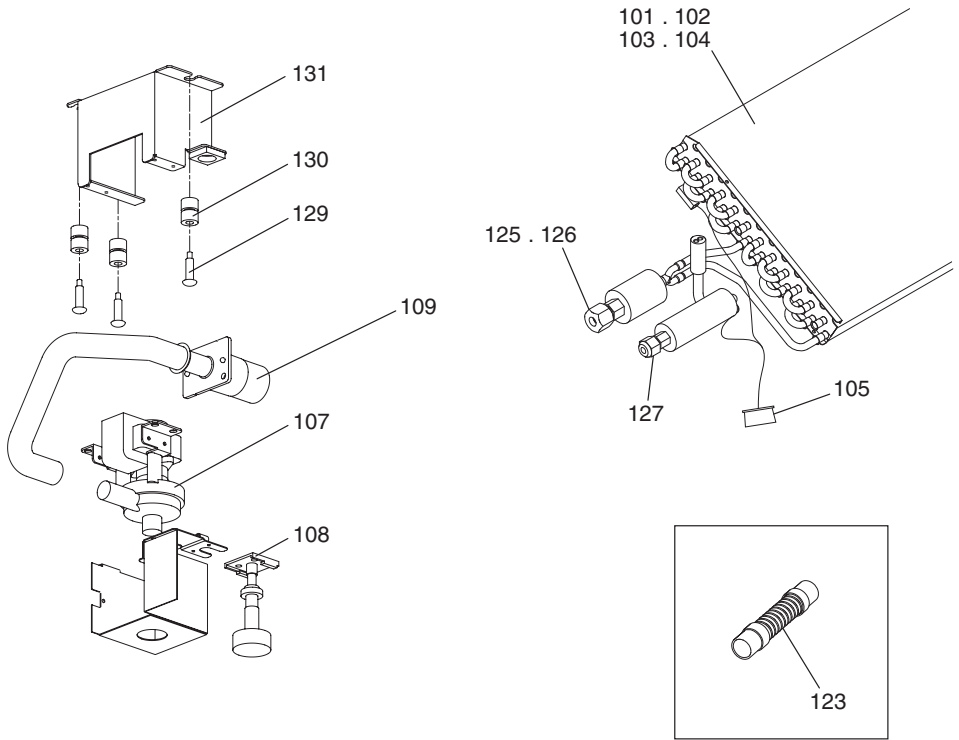
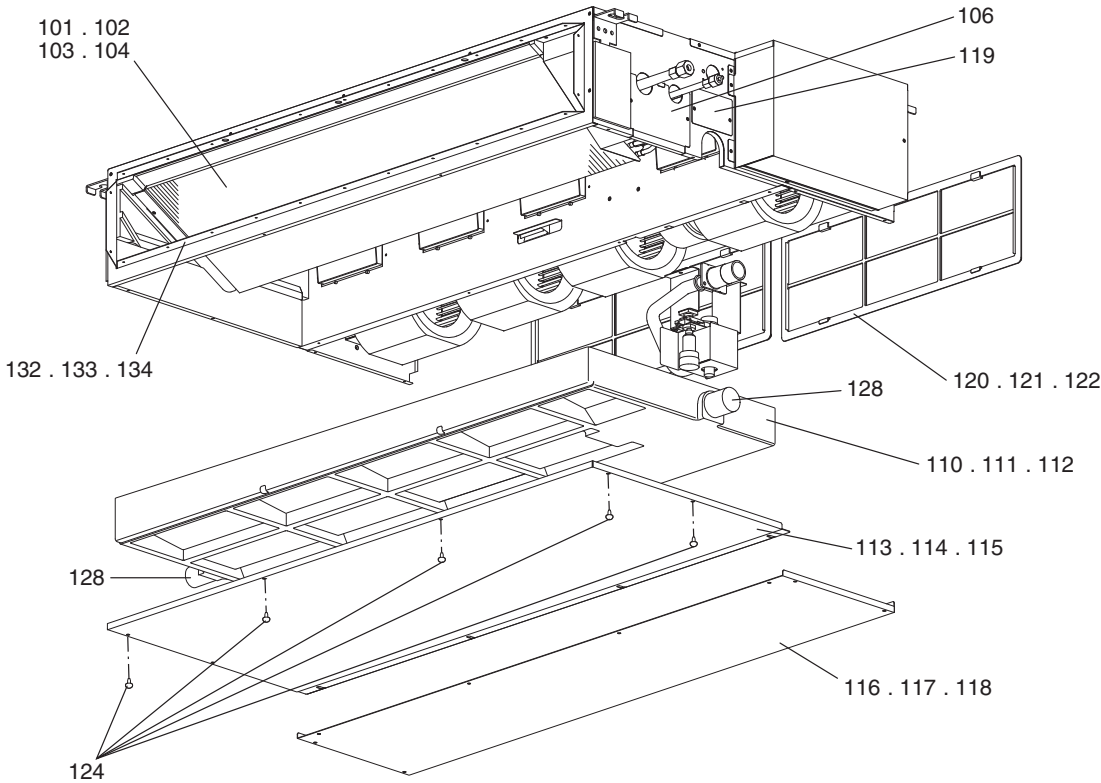
Oct. 2010

BWE10180

| INDEX |
|-----------------------|
| SEZ-KD09NA4.TH |
| SEZ-KD12NA4.TH |
| SEZ-KD15NA4.TH |
| SEZ-KD18NA4.TH |

SEZ-KD09,KD12NA4.TH
SEZ-KD15,KD18NA4.TH

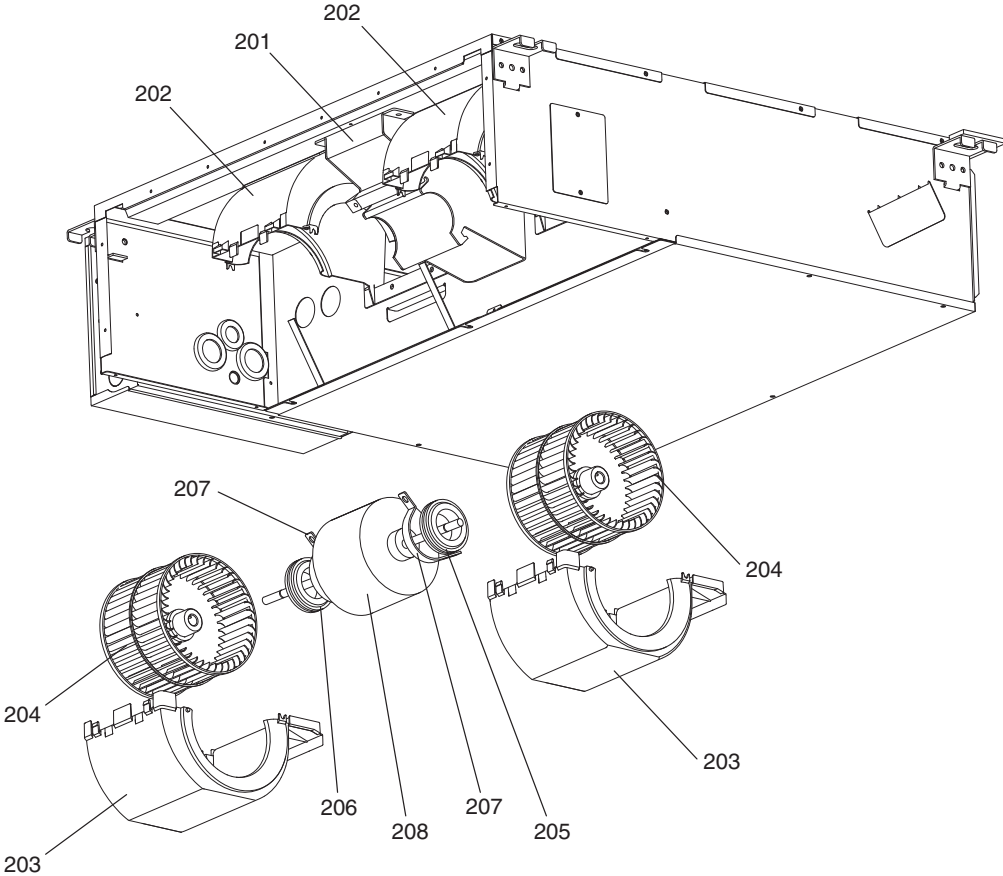
EXTERNAL PARTS



| No. | Part No. | G : RoHS Apply Only W : RoHS Apply by Running Change | | Spec. | SEZ-KD09NA4.TH | SEZ-KD12NA4.TH | SEZ-KD15NA4.TH | SEZ-KD18NA4.TH | | Dwg. No. | Notes for the models | Revision info. |
|-----|-------------|---|----------------------|--------|----------------|----------------|----------------|----------------|--|-------------|----------------------|----------------|
| | | | Part Name | | | | | | | | | |
| 101 | E17 319 620 | G | HEAT EXCHANGER | <K25> | 1 | | | | | KB00A073B01 | | |
| 102 | E17 320 620 | G | HEAT EXCHANGER | <K35> | | 1 | | | | KB00A076B01 | | |
| 103 | E17 321 620 | G | HEAT EXCHANGER | <K50> | | | 1 | | | KB00A076B02 | | |
| 104 | E17 531 620 | G | HEAT EXCHANGER | <K60> | | | | 1 | | KB00A078B03 | | |
| 105 | E17 319 307 | G | THERMISTOR | | 1 | 1 | 1 | 1 | | RG71V202G01 | | |
| 106 | E17 319 690 | G | COVER PIPE ASSY | | 1 | 1 | 1 | 1 | | KB00H214G02 | | |
| 107 | E17 409 355 | G | PUMP | PLD | 1 | 1 | 1 | 1 | | KB56B515H02 | | |
| 108 | E17 409 145 | G | FLOAT SWITCH | | 1 | 1 | 1 | 1 | | BH68C952H02 | | |
| 109 | E17 409 704 | G | SOCKET ASSY | | 1 | 1 | 1 | 1 | | KB00G754G01 | | |
| 110 | E17 472 700 | G | DRAIN PAN S ASSY | | 1 | | | | | KB00G775G16 | | |
| 111 | E17 475 700 | G | DRAIN PAN M ASSY | | | 1 | 1 | | | KB00G775G17 | | |
| 112 | E17 477 700 | G | DRAIN PAN L ASSY | | | | | 1 | | KB00G775G18 | | |
| 113 | E17 472 717 | G | PANEL UNDER 1 S ASSY | | 1 | | | | | KB00G776G10 | | |
| 114 | E17 475 717 | G | PANEL UNDER 1 M ASSY | | | 1 | 1 | | | KB00G776G11 | | |
| 115 | E17 477 717 | G | PANEL UNDER 1 L ASSY | | | | | 1 | | KB00G776G12 | | |
| 116 | E17 319 718 | G | PANEL UNDER 2 S | | 1 | | | | | KB02B455G02 | | |
| 117 | E17 320 718 | G | PANEL UNDER 2 M | | | 1 | 1 | | | KB02B457G01 | | |
| 118 | E17 326 718 | G | PANEL UNDER 2 L | | | | | 1 | | KB02A071G02 | | |
| 119 | E17 409 690 | G | COVER ASSY | | 1 | 1 | 1 | 1 | | KB00H222G03 | | |
| 120 | E17 319 100 | G | FILTER 15 | | 1 | | | | | KB35B272G02 | | |
| 121 | E17 320 100 | G | FILTER 40 | | | 1 | 1 | | | KB35B207G02 | | |
| 122 | E17 326 100 | G | FILTER 63 | | | | | 2 | | KB35B208G02 | | |
| 123 | E17 319 702 | G | DRAIN HOSE | | 1 | 1 | 1 | 1 | | KB27T150H01 | | |
| 124 | E17 319 250 | G | SCREW ASSY | | 4 | 5 | 5 | 5 | | KB12H389G01 | | |
| 125 | E17 321 660 | G | NUT FLARE | 1/2 | | | 1 | 1 | | BG12S008H01 | | |
| 126 | E17 319 660 | G | NUT FLARE | 3/8 | 1 | 1 | | | | Z211A143H06 | | |
| 127 | E17 320 660 | G | NUT FLARE | 1/4 | 1 | 1 | 1 | 1 | | Z211A143H01 | | |
| 128 | E17 414 524 | G | PLUG | RUBBER | 2 | 2 | 2 | 2 | | KB26H049H01 | | |
| 129 | E17 548 250 | G | SCREW SPECIAL | M4x6 | 3 | 3 | 3 | 3 | | Z003Z333H05 | | |
| 130 | DB26F013L01 | G | CUSHION | | 3 | 3 | 3 | 3 | | DB26F013L01 | | |
| 131 | KB00M769G02 | G | ATTACHMENT PUMP | | 1 | 1 | 1 | 1 | | KB00M769G02 | | |
| 132 | E17 528 800 | G | PANEL DUCT S ASSY | | 1 | | | | | KB00G751G07 | | |
| 133 | E17 529 800 | G | PANEL DUCT M ASSY | | | 1 | 1 | | | KB00G751G08 | | |
| 134 | E17 531 800 | G | PANEL DUCT L ASSY | | | | | 1 | | KB00G751G09 | | |
| | | | | | | | | | | | | |
| | | | | | | | | | | | | |
| | | | | | | | | | | | | |
| | | | | | | | | | | | | |
| | | | | | | | | | | | | |
| | | | | | | | | | | | | |
| | | | | | | | | | | | | |
| | | | | | | | | | | | | |
| | | | | | | | | | | | | |
| | | | | | | | | | | | | |
| | | | | | | | | | | | | |
| | | | | | | | | | | | | |

SEZ-KD09NA4.TH
SEZ-KD12NA4.TH

BLOWER PARTS (1)



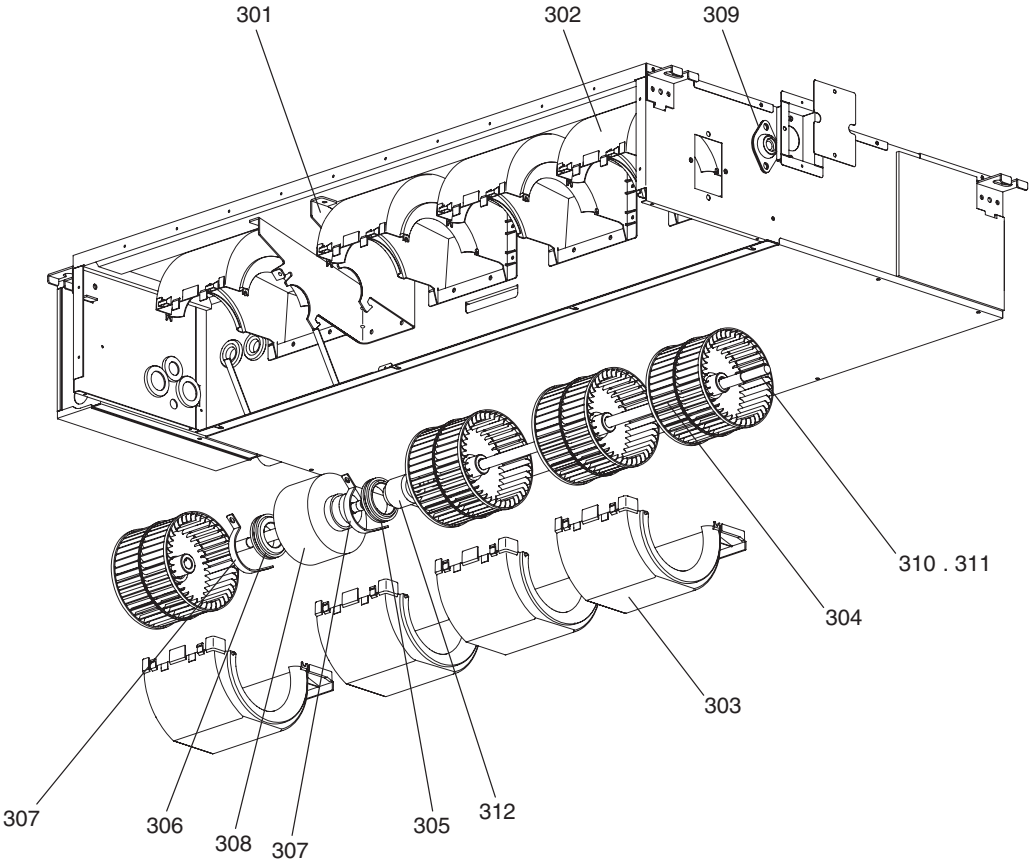
SEZ-KD09NA4.TH
SEZ-KD12NA4.TH

BLOWER PARTS (1)

| No. | Part No. | G : RoHS Apply Only W : RoHS Apply by Running Change | Part Name | Spec. | SEZ-KD09NA4.TH | SEZ-KD12NA4.TH | | | | | Dwg. No. | Notes for the models | Revision info. |
|-----|-------------|---|------------------|-------|----------------|----------------|--|--|--|--|-------------|----------------------|----------------|
| | | | | | | | | | | | | | |
| 201 | E17 319 128 | G | MOTOR BASE | | 1 | 1 | | | | | KB02B464G02 | | |
| 202 | E17 319 129 | G | FAN CASE A ASSY | | 2 | 2 | | | | | KB00G773G03 | | |
| 203 | E17 320 129 | G | FAN CASE B ASSY | | 2 | 2 | | | | | KB00G774G03 | | |
| 204 | E17 319 500 | G | SIROCCO FAN ASSY | | 2 | 2 | | | | | KB00H341G01 | | |
| 205 | E17 319 505 | G | RUBBER MOUNT L | | 1 | 1 | | | | | KB31D833H03 | | |
| 206 | E17 320 505 | G | RUBBER MOUNT R | | 1 | 1 | | | | | KB31D833H04 | | |
| 207 | KB02H047G02 | G | ATTACHMENT | | 2 | 2 | | | | | KB02H047G02 | | |
| 208 | E17 319 300 | G | MOTOR | | 1 | 1 | | | | | KB61B503H02 | | |
| | | | | | | | | | | | | | |
| | | | | | | | | | | | | | |
| | | | | | | | | | | | | | |
| | | | | | | | | | | | | | |
| | | | | | | | | | | | | | |
| | | | | | | | | | | | | | |
| | | | | | | | | | | | | | |
| | | | | | | | | | | | | | |
| | | | | | | | | | | | | | |
| | | | | | | | | | | | | | |
| | | | | | | | | | | | | | |
| | | | | | | | | | | | | | |
| | | | | | | | | | | | | | |
| | | | | | | | | | | | | | |
| | | | | | | | | | | | | | |
| | | | | | | | | | | | | | |
| | | | | | | | | | | | | | |
| | | | | | | | | | | | | | |
| | | | | | | | | | | | | | |
| | | | | | | | | | | | | | |
| | | | | | | | | | | | | | |
| | | | | | | | | | | | | | |
| | | | | | | | | | | | | | |
| | | | | | | | | | | | | | |
| | | | | | | | | | | | | | |

SEZ-KD15NA4.TH
SEZ-KD18NA4.TH

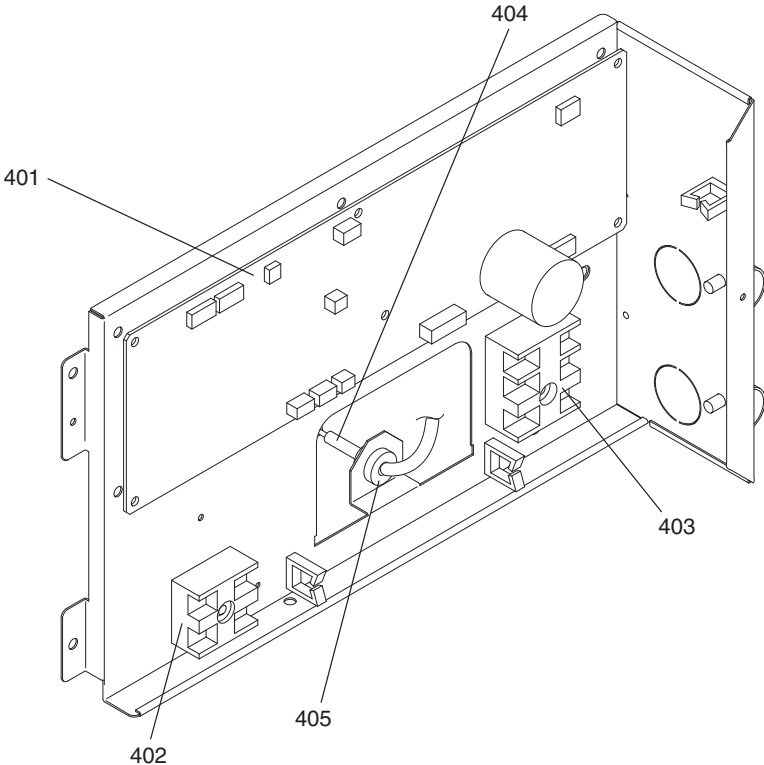
BLOWER PARTS (2)



| No. | Part No. | G : RoHS Apply Only W : RoHS Apply by Running Change | Spec. | SEZ-KD15NA4.TH | | SEZ-KD18NA4.TH | | Dwg. No. | Notes for the models | Revision info. |
|-----|-------------|---|------------------|----------------|---|----------------|--|-------------|----------------------|----------------|
| | | | | | | | | | | |
| 301 | E17 319 128 | G | MOTOR BASE | 1 | 1 | | | KB02B464G02 | | |
| 302 | E17 319 129 | G | FAN CASE A ASSY | 3 | 4 | | | KB00G773G03 | | |
| 303 | E17 320 129 | G | FAN CASE B ASSY | 3 | 4 | | | KB00G774G03 | | |
| 304 | E17 319 500 | G | SIROCCO FAN ASSY | 3 | 4 | | | KB00H341G01 | | |
| 305 | E17 319 505 | G | RUBBER MOUNT L | 1 | 1 | | | KB31D833H03 | | |
| 306 | E17 320 505 | G | RUBBER MOUNT R | 1 | 1 | | | KB31D833H04 | | |
| 307 | KB02H047G02 | G | ATTACHMENT | 2 | 2 | | | KB02H047G02 | | |
| 308 | E17 321 300 | G | MOTOR | 1 | 1 | | | KB61B504H02 | | |
| 309 | E17 321 509 | G | BEARING | 1 | 1 | | | KB58C793G01 | | |
| 310 | E17 321 499 | G | SHAFT 3FAN | 1 | | | | KB10B485H03 | | |
| 311 | E17 326 499 | G | SHAFT 4FAN | | 1 | | | KB10B486H03 | | |
| 312 | E17 321 518 | G | FAN JOINT ASSY | 1 | 1 | | | KB00R475G01 | | |
| | | | | | | | | | | |
| | | | | | | | | | | |
| | | | | | | | | | | |
| | | | | | | | | | | |
| | | | | | | | | | | |
| | | | | | | | | | | |
| | | | | | | | | | | |
| | | | | | | | | | | |
| | | | | | | | | | | |
| | | | | | | | | | | |
| | | | | | | | | | | |
| | | | | | | | | | | |
| | | | | | | | | | | |
| | | | | | | | | | | |
| | | | | | | | | | | |
| | | | | | | | | | | |
| | | | | | | | | | | |
| | | | | | | | | | | |
| | | | | | | | | | | |
| | | | | | | | | | | |
| | | | | | | | | | | |
| | | | | | | | | | | |
| | | | | | | | | | | |
| | | | | | | | | | | |
| | | | | | | | | | | |
| | | | | | | | | | | |
| | | | | | | | | | | |
| | | | | | | | | | | |
| | | | | | | | | | | |
| | | | | | | | | | | |
| | | | | | | | | | | |

SEZ-KD09,KD12NA4.TH
SEZ-KD15,KD18NA4.TH

CONTROL BOX PARTS



SEZ-KD09,KD12NA4.TH
 SEZ-KD15,KD18NA4.TH

CONTROL BOX PARTS

| No. | Part No. | G : RoHS Apply Only W : RoHS Apply by Running Change | Part Name | Spec. | SEZ-KD09NA4.TH | SEZ-KD12NA4.TH | SEZ-KD15NA4.TH | SEZ-KD18NA4.TH | Dwg. No. | Notes for the models | Revision info. |
|-----|-------------|---|--------------------------|---------|----------------|----------------|----------------|----------------|-------------|----------------------|----------------|
| | | | | | | | | | | | |
| 401 | E17 679 447 | G | PRINTED CIRCUIT ASSEMBLY | INDOOR | 1 | 1 | 1 | 1 | KE01D279B04 | | |
| 402 | E17 156 375 | G | TERMINAL BLOCK ASSY | | 1 | 1 | 1 | 1 | BG00R200G62 | | |
| 403 | E17 162 375 | G | TERMINAL BLOCK ASSY | | 1 | 1 | 1 | 1 | BH00C267G02 | | |
| 404 | E17 319 308 | G | THERMISTOR S | 250XAP | 1 | 1 | 1 | 1 | RG71J628H01 | | |
| 405 | E17 319 013 | G | BUSH | SRB-R-2 | 1 | 1 | 1 | 1 | KB32K138H01 | | |
| | | | | | | | | | | | |
| | | | | | | | | | | | |
| | | | | | | | | | | | |
| | | | | | | | | | | | |
| | | | | | | | | | | | |
| | | | | | | | | | | | |
| | | | | | | | | | | | |
| | | | | | | | | | | | |
| | | | | | | | | | | | |
| | | | | | | | | | | | |
| | | | | | | | | | | | |
| | | | | | | | | | | | |
| | | | | | | | | | | | |
| | | | | | | | | | | | |
| | | | | | | | | | | | |
| | | | | | | | | | | | |
| | | | | | | | | | | | |
| | | | | | | | | | | | |
| | | | | | | | | | | | |
| | | | | | | | | | | | |
| | | | | | | | | | | | |
| | | | | | | | | | | | |
| | | | | | | | | | | | |
| | | | | | | | | | | | |
| | | | | | | | | | | | |
| | | | | | | | | | | | |
| | | | | | | | | | | | |
| | | | | | | | | | | | |
| | | | | | | | | | | | |
| | | | | | | | | | | | |
| | | | | | | | | | | | |
| | | | | | | | | | | | |
| | | | | | | | | | | | |
| | | | | | | | | | | | |
| | | | | | | | | | | | |
| | | | | | | | | | | | |
| | | | | | | | | | | | |

