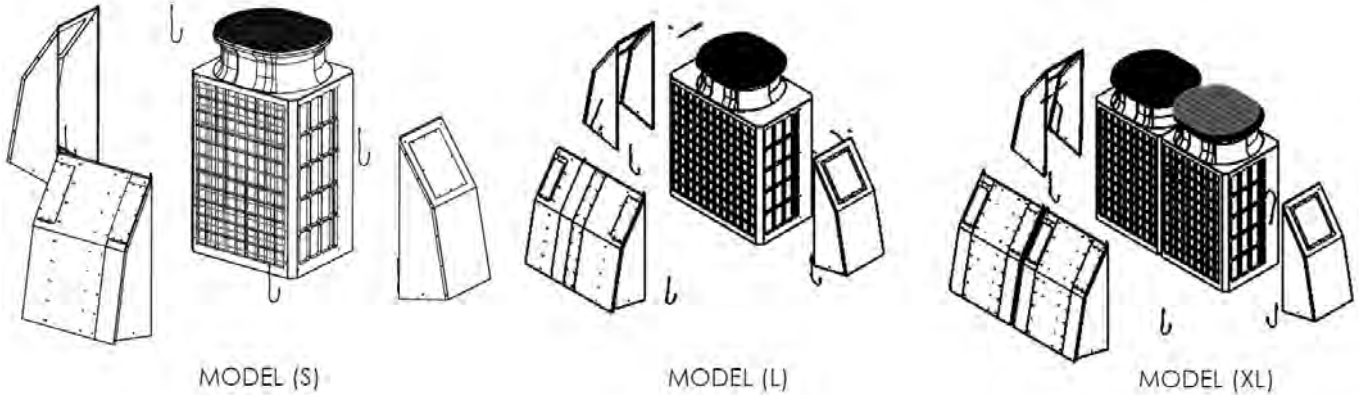


Job Name:

Schedule Reference:

Date:



GENERAL FEATURES

- Protects outdoor unit from snow build-up and hail damage in severe climates.
- 20 Gauge Satin Coat (Galvanized - Non-spangled matte finish) matching unit.

NOTES:

- Outdoor unit must be mounted at least 18" off the ground or 12" above the highest average snow fall, whichever is greater.
- Outdoor unit must be at least 18" or more than standard installation.
- For best coil protection, two and three module units must be mounted with a minimum of 1-3/16" space between each.
- On-site assembly required, instruction provided within box.

SPECIFICATIONS

Model Number	Description
CM-SD-2-TKMU-QAHV	Side Wind/Snow Guard (2 per box)
CM-RE-2-TKMU-QAHV	Rear Wind/Snow Guard (1 per box)

COMPONENTS REQUIRED PER OUTDOOR UNIT

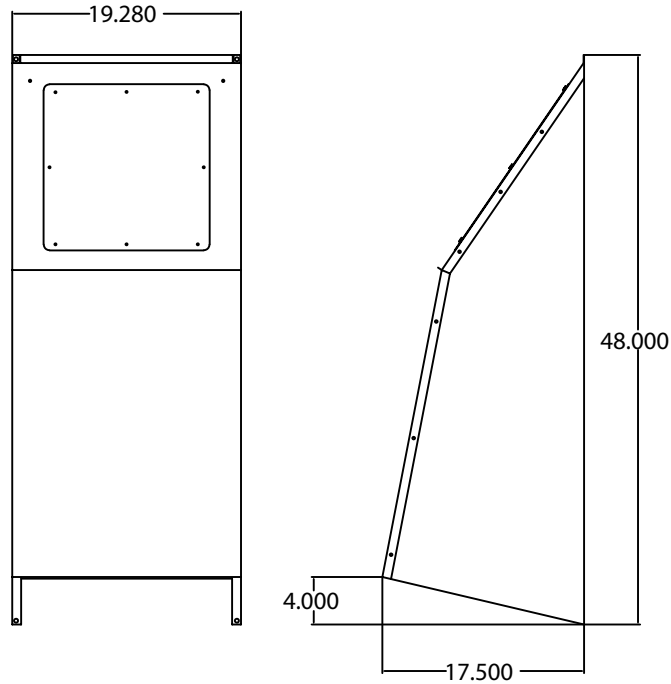
For models with two or three units, selections are based on a space of 1-3/16" between the modules. For additional space between the modules, additional components may be required.

Chart below provides a reference to the model sizes for ordering the necessary snow/wind guards for your units.

	P72	P72	P96	P120	P144	P168
	Small	Large	Large		X-Large	
PUHY-P-TLMU	x		x	x	x	x
PUHY-P-TKMU	x		x	x	x	
PUHY-P-ZKMU	x		x	x	x	
PURY-P-TLMU	x		x	x	x	x
PURY-P-ZKMU	x		x	x	x	
PURY-P-TKMU		x	x	x	x	
PUHY-HP-TKMU		x	x			
QAHV-N136(T)(T)AU-HPB		x				

CM-SD-2-TKMU-QAHV and CM-RE-2-TKMU-QAHV – DIMENSIONS

CM-SD-2-TKMU



CM-RE-2-TKMU
(Universal fitting S, L, XL)

