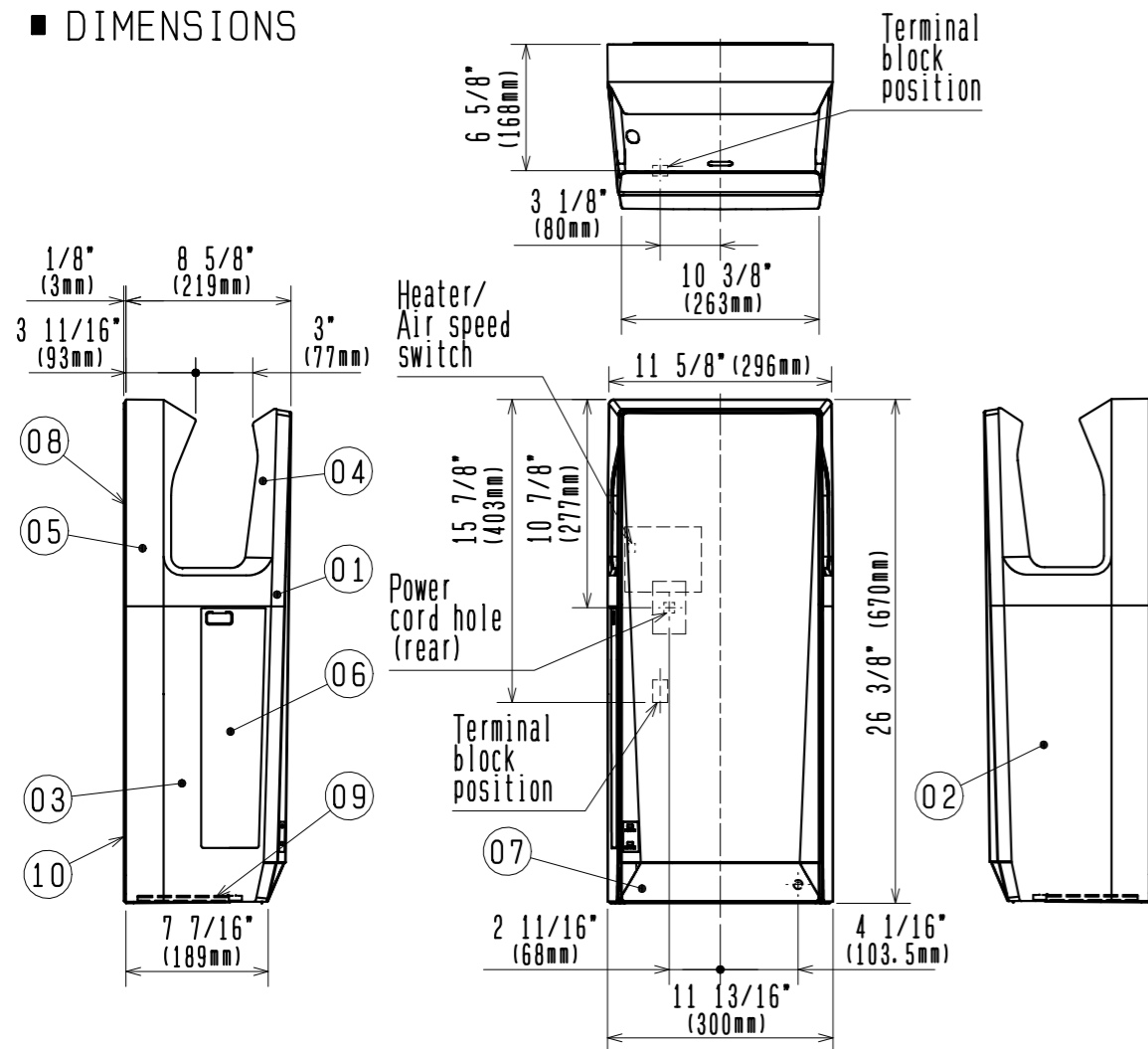


■ DIMENSIONS



■ EXTERIOR MATERIALS

| No. | PARTS | MATERIALS | COLOR (MUNSELL) | |
|-----|--------------|-----------|---|--|
| | | | -W | -S |
| 01 | FRONT PANEL | ABS RESIN | WHITE (7.1B:HUE 9.2:BRIGHTNESS 0.2:CHROMA) | DARK GRAY (1.7PB:HUE 2 :BRIGHTNESS 0.38:CHROMA) |
| 02 | SIDE PANEL-R | ABS RESIN | | |
| 03 | SIDE PANEL-L | ABS RESIN | | |
| 04 | PANEL-FRONT | ABS RESIN | | |
| 05 | PANEL-BACK | ABS RESIN | | |
| 06 | SIDE COVER | ABS RESIN | | |
| 07 | DRAIN TANK | ABS RESIN | | |
| 08 | BASE | PP RESIN | BLACK | |
| 09 | AIR FILTER | PP RESIN | BLACK | |
| 10 | BACK PANEL | STEEL | GRAY | |

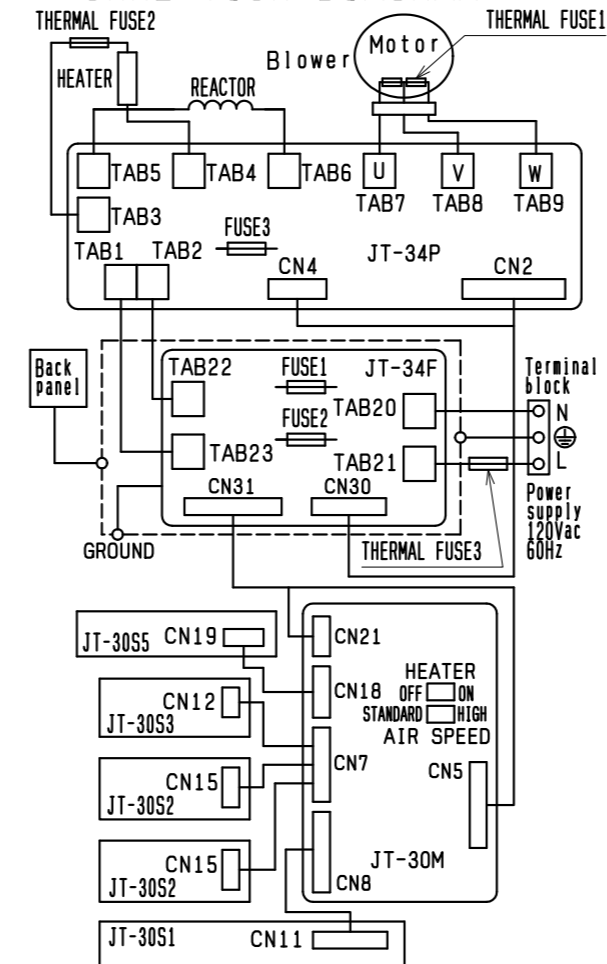
■ SPECIFICATIONS

| MODEL | RATED VOLTAGE (Vac) | RATED FREQUENCY (Hz) | RATED CURRENT (A) | AIR SPEED SETTING | POWER CONSUMPTION (W) | | AIR SPEED (mph) | NOISE (dB(A)) | WEIGHT | DRAIN TANK CAPACITY |
|------------------|---------------------|----------------------|-------------------|-------------------|-----------------------|------------|-----------------|---------------|-------------------|---------------------|
| | | | | | HEATER ON | HEATER OFF | | | | |
| JT-SB116JH2-W-NA | 120 | 60 | 11.4 | HIGH | 1,250 | 730 | 235 | 59 | 26.5lb. (12kg) | 1.7pt. (0.8l) |
| JT-SB116JH2-S-NA | | | | STANDARD | 1,090 | 570 | 215 | 56 | | |

| MOTOR TYPE | BRUSHLESS MOTOR (4POLE) | SAFETY MEASURES | THERMAL FUSES AND OVER CURRENT FUSES |
|---------------------|-------------------------|-----------------------|--|
| DIELECTRIC STRENGTH | 1,000Vac FOR 1 MINUTE | INSULATION RESISTANCE | 10MΩ OR MORE (MEASURED BY DC500V MEGGER) |

- Air speed is calculated from the static pressure measured by the pitot tube. (at the nozzle)
- Noise is the A range value measured in an anechoic room. (Average as 3 points, 78 3/4" (2000mm) from the front and both sides)
- The heater is turned off automatically when ambient temperature is 86° F(30°C) 30°C or more.
- Compliance: Conforms to ANSI/UL Std. UL499 and Certified to CAN/CSA Standard C22.2 No. 36
Conforms to NSF/ANSI Standard 169.

■ CONNECTION DIAGRAM



| | |
|----------------|--------------|
| Fuse 1 | 250V 25A |
| Fuse 2 | 250V 25A |
| Fuse 3 | 250V 3.15A |
| Thermal Fuse 1 | 121°C (OPEN) |
| Thermal Fuse 2 | 94°C (OPEN) |
| Thermal Fuse 3 | 94°C (OPEN) |

■ CERTIFICATIONS



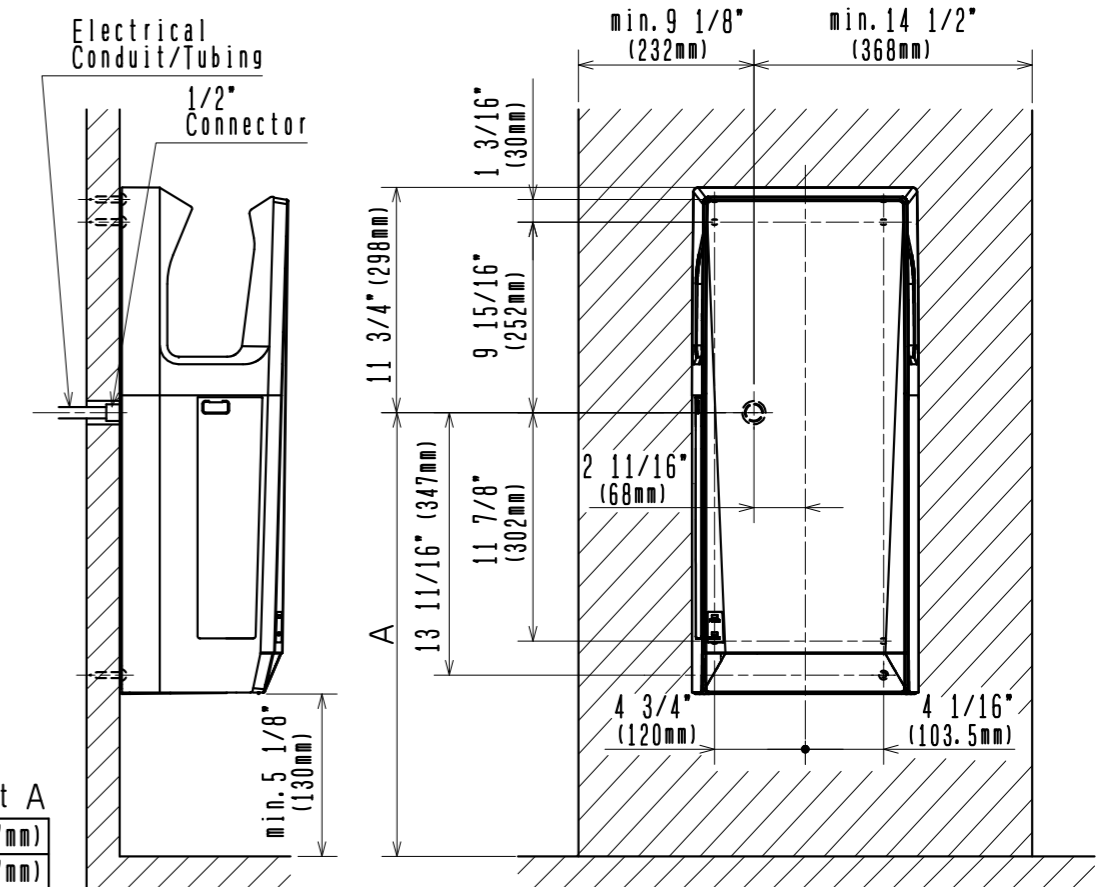
*Recommended height A

| | |
|-------|-----------------|
| Men | 24 5/8" (627mm) |
| Women | 23 7/8" (607mm) |

■ INSTALLATION PRECAUTIONS

1. Read the installation manual thoroughly before beginning installation to ensure the unit is installed safely and correctly.
2. This hand dryer must have its own independent branch circuit using AWG #12 or #14 copper wire.
3. The circuit should be equipped with a Ground Fault Interrupter and a 120vac 20 amp circuit breaker for AWG #12 wire, or a 120Vac 15 amp circuit breaker for AWG #14 wire.
4. This hand dryer should be properly grounded.
5. Do not install in the following types of location.
 - Outdoors
 - Where the temperature could be lower than 50° F(10°C) or higher than 104° F(40°C).
 - Where the humidity could be lower than 5%RH or higher than 95%RH.
 - Where there is a lot of dust or condensation.
 - Where salt damage could occur.
 - Vehicles (incl. ships, trains, airplanes)
 - Where there corrosive, neutral, or reductive gases are present.
 - Where there are food, tableware, etc nearby because water may splash.
 - Where the appliance may come into direct contact with water.
 - Where the appliance is direct sunlight or strong light. (May cause the sensors to malfunction)
 - Near a bathtubs, shower or a swimming pool.
 - Kitchens (Where there is a risk of water splashing)

Surface should be vertical, smooth and flat.



*Specifications may be subject to change without notice.

| APPROVED | DRAWN |
|-----------|-------------------|
| M. Fukano | Shigeki.Nishimura |

| | | |
|--|----------------------|---------------------------------|
| | SCALE : NTS | PRODUCT : MITSUBISHI HAND DRYER |
| | UNIT : Inches (mm) | MODEL : JT-SB116JH2-W/S-NA |
| | DATE : JUN. 17. 2016 | DWG. No. : NL116002 A |