

Submittal Data: LGH-F300RVX2-E

Energy Recovery Ventilator

Job Name:	Location:
Schedule Reference:	Submitted By:
Submitted To:	Reference: Approval: Construction:
Engineer:	Date: Application:



Images provided for reference purposes only

- Lossnay® cross-flow energy recovery core
- Operation Mode available are Heat Recovery, Bypass or Auto
- Minimal cross contamination (<1% overall) between entering and leaving air streams
- Stand alone or interlocks with all Mitsubishi product
- External input bypass damper control
- Mult-ventilation modes
- M-Net or Stand-alone control

Specifications:

Capacity	CFM (m ³ /hr)	300 (510)
Power Source		208/230V, 1Ph, 60Hz
Maximum Power Consumption	kW	0.565
Power Consumption	kW	0.111 - 0.235
Current	A	0.017 - 0.048
Minimum Circuit Ampacity (MCA) ¹	A	4.25
Maximum Overcurrent Protection (MOCP)	A	15
Air Volume ²	CFM	75 - 150 - 225 - 300
Temperature Recovery Efficiency ²	%	83.0 - 76.0 - 70.0 - 65.5
Enthalpy Recovery Efficiency ² (Heating)	%	81.5 - 74.0 - 66.5 - 63.0
Enthalpy Recovery Efficiency ² (Cooling)	%	65.0 - 58.0 - 53.5 - 50.0
Noise Level ²	dB(A)	18.0 - 22.0 - 31.0 - 37.0
External static pressure ²	in. W.G	0.06 - 0.25 - 0.56 - 1.00
External Finish		Galvanized steel sheet
Unit Dimensions	W: In. (mm)	41-7/8 (1063)
	D: In. (mm)	41-3/16 (1046)
	H: In. (mm)	13-1/32 (331)
Net Weight	Lbs. (kg)	75 (34)
Energy Transfer		Lossnay® core
Heat Exchange System		Air-to-air total heat (sensible heat + latent heat) exchange, no moving parts
Heat Exchange Material		Partition, spacing plate-cellulose fiber membrane
Blower		8-3/4 in. (220mm) dia. centrifugal fan
Motor		EC motor
Filter		Non-woven fabrics filter (MERV 7)
Entering Air Temperature Operation Range		14° F to 104° F (-10° C to 40° C), RH 80% or less

Model No.	Description: (Optional Accessories)
-----------	-------------------------------------

PZ-62DR-EA	Lossnay Controller
PZ-43SMF-E	Lossnay Simple Controller
PZ-4GS-E	External Signal Terminal
PZ-200SS-E	Duct Silencer
PZ-70CSB-E	CO2 Sensor, Built-in
PZ-70CSW-E	CO2 Sensor, Wall Mounted
PZ-50RF9-E	MERV 7 Filter (Included)
PZ-50RFP-E	MERV 14 Filter
PZ-50RFP2-E	MERV 16 Filter

Notes:

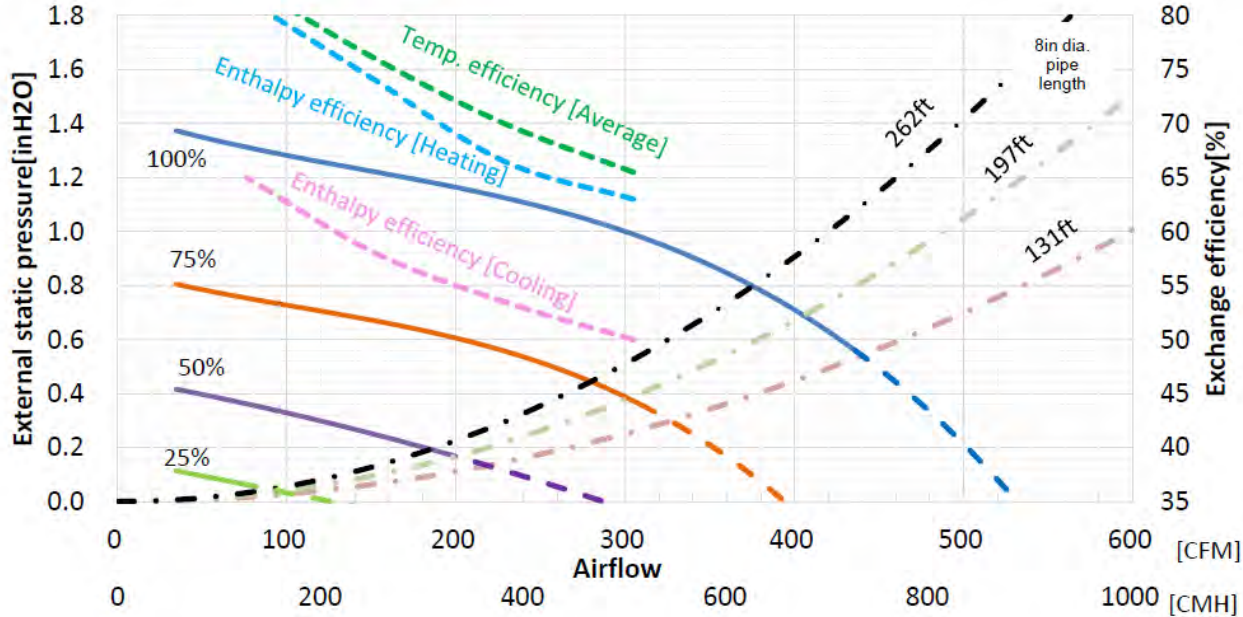
Note:

1. All electrical work shall comply with National (CEC) and local codes and regulations.
2. Fan Speed: extra low - low - high - extra high @ 208V - 230V.
3. Low temperature operation with field installed insulated duct, see local sales rep for details.
4. Ventilation air to be introduced independent of or in series with VRF indoor units. Please refer to local codes for the required ventilation rates specific to the application.
5. Mitsubishi Electric Sales Canada Inc. (MESCA) supports the use of only MESCA supplied and approved components and accessories for proper functioning of the unit(s). Use of non - MESCA supported components and accessories will affect warranty coverage.
MESCA recommends
(A) consideration of all applicable design and application parameters and requirements specific to any project; and
(B) implementation of any countermeasures needed to address those parameters and requirements, wherever applicable.
6. All components of the system must be compatible. For more details on system control compatibility, please refer to Technical Bulletin 100-151 available on our website.
NOTE: Items denoted in this submittal by an asterisk (*) are provided as specific instances or examples of system compatibility, and are not intended to represent a complete or exhaustive list of compatibility requirements.
7. Should any person change this document in any manner whatsoever without MESCA's written permission, the document shall be of no force and effect and any change shall be deemed to be a representation and warranty made by that person and not MESCA. That person, and not MESCA, shall assume full responsibility for the consequences of such changes. MESCA assumes no responsibility for any consequences in such cases.

Fan Characteristics Curves:

■ Characteristic curve

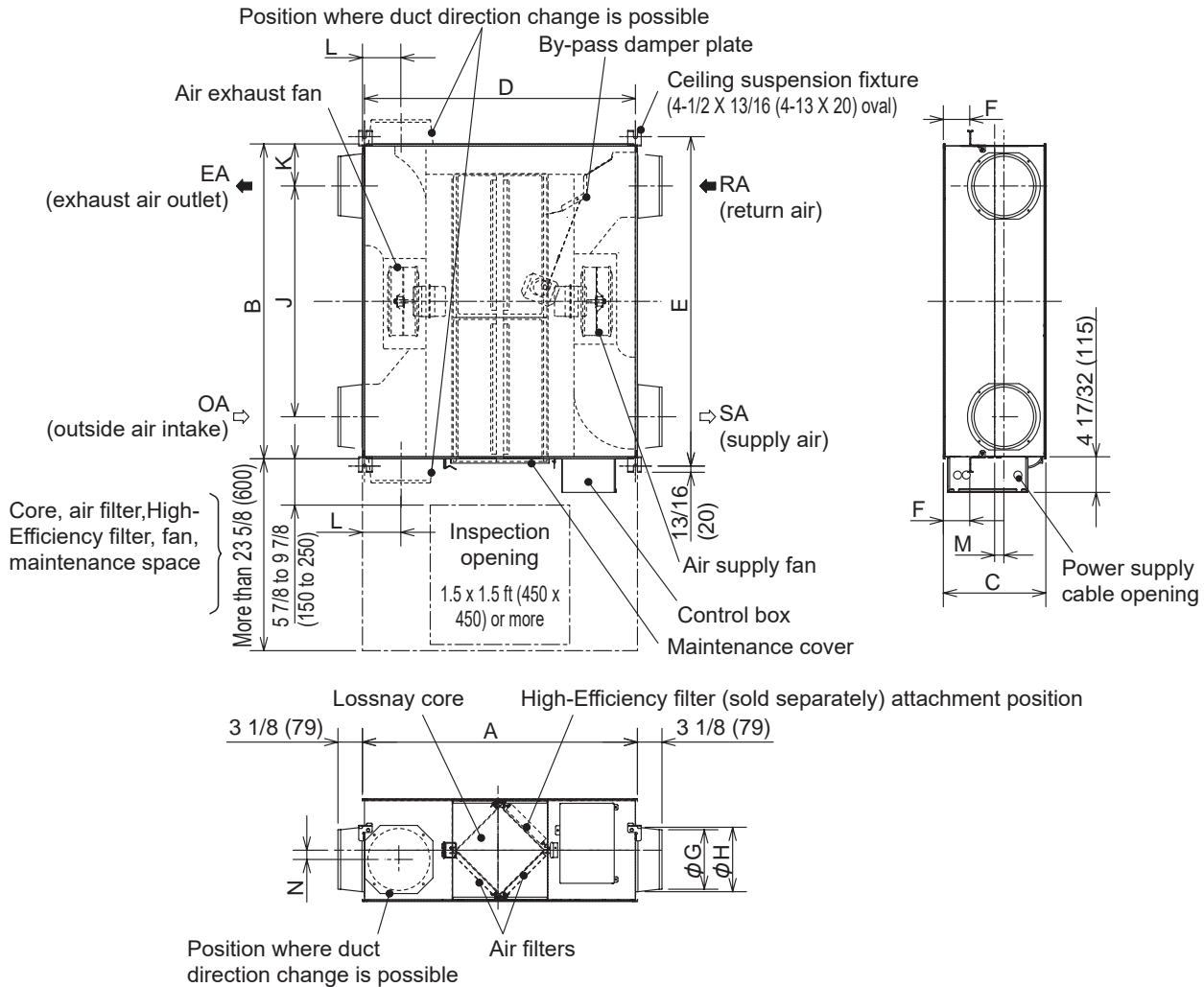
Dotted lines of fan curve means unmeasurable area with ISO16494.



■ Attention

1. The running current, the input power, the efficiency and the noise are based on the rating air volume. The noise is measured at 59in (1.5m). under the center of the unit in an anechoic chamber.
2. Temperature exchange efficiency (%) is an average of heating and cooling.
3. Heat recovery ventilation mode starts automatically while detecting OA temperature lower than 47° F (8°C), even Bypass mode is selected. Remote controller continues to display "Bypass ventilation" in this case.
4. It is prohibited to use the unit where salt, sulphur or hot spring steam damage is expected.
5. Do not use with acid, alkalis, organic solvent, oil mist, paint, or harmful gas as pesticide, corrosive gas, etc.
6. In cold area or strong wind area, outdoor air may enter the unit because of the pressure difference or external wind even when the unit stops. It is recommended to install an electrically damper to block outdoor air in such cases.
7. Avoid to install air inlets and outlets where insects are likely to gather like a place near interior or exterior lights. In that case, select hoods or louvers which have repellent net.

Unit Outline and Dimensions:



Model	Dimensions			Ceiling suspension fixture pitch			Nominal diameter	Duct connecting flange		Duct pitch				Weight lbs (kg)
	A	B	C	D	E	F		G	H	J	K	L	M	
LGH-F300RVX2-E	34 15/16 (888)	40 (1016)	13 1/32 (331)	34 1/2 (875)	41 7/8 (1063)	3 11/32 (85)	7 7/8 (200)	7 9/16 (192)	8 3/16 (208)	29 3/8 (745)	5 5/16 (135.5)	4 7/8 (124)	1 3/16 (30)	75 (34)
LGH-F380RVX2-E	35 3/4 (908)	37 9/16 (954)	15 29/32 (404)	35 15/64 (895)	39 13/32 (1001)	2 3/4 (70)	7 7/8 (200)	7 9/16 (192)	8 3/16 (208)	27 1/4 (692)	5 5/32 (131)	4 7/8 (124)	0	90 (41)
LGH-F470RVX2-E	45 1/16 (1144)	39 1/2 (1004)	15 29/32 (404)	44 17/32 (1131)	41 3/8 (1051)	3 1/32 (77)	9 7/8 (250)	9 1/2 (242)	10 3/16 (258)	27 3/16 (690)	6 3/16 (157)	6 1/2 (165)	1 37/64 (40)	110 (50)
LGH-F600RVX2-E	45 1/16 (1144)	48 1/2 (1231)	15 29/32 (404)	44 17/32 (1131)	50 5/16 (1278)	3 1/32 (77)	9 7/8 (250)	9 1/2 (242)	10 3/16 (258)	36 1/8 (917)	6 3/16 (157)	6 1/2 (165)	1 37/64 (40)	123 (56)