

**Job Name:** \_\_\_\_\_ **Engineer:** \_\_\_\_\_  
**Purchaser:** \_\_\_\_\_  
**Location:** \_\_\_\_\_  
**Submitted To:** \_\_\_\_\_ **For:** Reference Approval Construction  
**Submitted By:** \_\_\_\_\_  
**Unit Designation:** \_\_\_\_\_ **Schedule No.** \_\_\_\_\_

**SUBMITTAL DATA: MSY-D36NA-8 / MUY-D36NA-1**

**Capacities:**

Cooling (Max.) @ 230 V .....34600Btu/h (12kW/h)  
 Cooling (Min.) ..... 9800Btu/h (3.3kW/h)  
 SEER(EER).....15.1(7.9/8.2)

**Indoor Unit Specification:**

Power Supply \*1 .....208/230Vac 1Φ 60Hz  
 Max. Fuse Size ..... 15A  
 MCA ..... 1A  
 Weight.....40lbs (18.1Kg)  
 Sound (L-M-H) ..... 32-42-49 dB(A)  
 Airflow (L-M -H) ..... Dry CFM 389-639-848  
 ..... Wet CFM 350-576-763

**Outdoor Unit Specification:**

Power Supply \*1 .....208/230Vac 1Φ 60Hz  
 Breaker Size .....25A  
 MCA .....21A  
 Weight.....126lbs (57.1Kg)  
 Sound ..... 56 dB(A)

**Refrigerant Piping:**

Max. Ht. Difference .....50ft. (12.2m)  
 Max. Length .....100ft. (19.8m)  
 Liquid..... 3/8"(9.53mm)  
 Gas ..... 5/8" (15.88mm)

**Standard Features:**

- Ozone Friendly R-410A Refrigerant
- Significant Energy Savings (15.1 SEER)
- Super Quiet Technology
- Pre-charged Refrigerant
- 2 year parts, 6 years compressor warranty
- Fuzzy Logic “I Feel” mode for comfort cooling
- Easy maintenance with self diagnostic feature
- Catechin Plus air purifying system
- Variable compressor speed inverter technology
- Low ambient cooling (14°F)

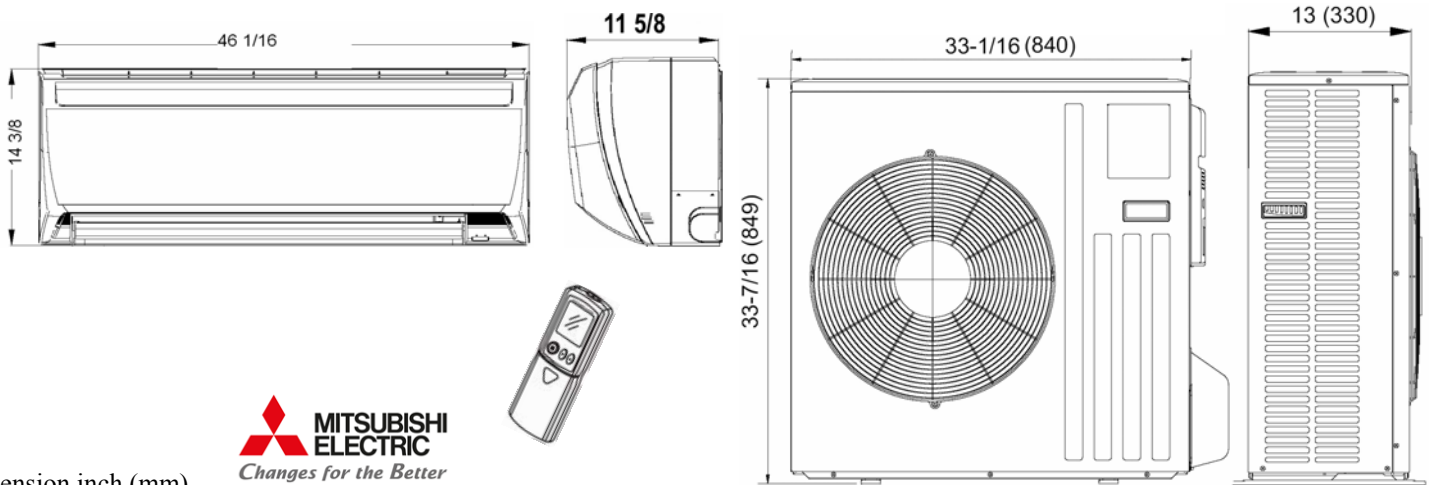
**Operating Range:**

		Indoor Intake Air Temp.	Outdoor Intake Air Temp.
Cooling	Max.	95°F / 35°C DB 67°F / 19°C WB	115° / 46°C DB
	Min.	67 F / 19 C DB 57 F / 14 C WB	14°F / -10°C

**\*1 Electrical Wiring:**

Power to the indoor unit is supplied by the outdoor unit on terminals S1, S2

•Specifications subject to change without notice.



Dimension inch (mm)

**Notes:**