

## SUBMITTAL DATA: MSY-GL09NA-(U1)(U2) & MUY-GL09NA-U2

9,000 BTU/H WALL-MOUNTED AIR-CONDITIONING SYSTEM

Job Name:	Location:	Date:
Purchaser:	Engineer:	
Submitted to:	For <input type="checkbox"/> Reference <input type="checkbox"/> Approval <input type="checkbox"/> Construction	
System Designation:	Schedule No.:	



Wireless Remote Controller

**ACCESSORIES:**
**Indoor Unit**

Anti-Allergy Enzyme Filter (MAC-408FT-E)

**Outdoor Unit**

Windscreens (ME-FR-15-17)

**Note: Mitsubishi Electric (MESCA) supports the use of only MESCA supplied and approved Snow Guard / Wind Deflectors / Windscreens and accessories for proper functioning of the unit(s). Use of non-MESCA supported Snow Guard / Wind Deflectors / Windscreens and accessories will affect warranty coverage.**

**Controls**

 Wireless Controller (MHK2)  
 Wired Remote Controller PAR-40MAA (Requires MAC-334IF-E)  
 Thermostat Interface (PAC-US444CN-1)

**SPECIFICATIONS:**

Rated Conditions (Capacity / Input)		
Cooling <sup>1</sup>	Btu/h / W	9,000 / 585

Capacity Range	Minimum	Maximum
Cooling <sup>1</sup>	Btu/h / W	3,600 / 240      12,200 / 1,050

**NOTE:** Test conditions are based on AHRI 210/240.

1: Rating conditions (Cooling) — Indoor: 80°FDB, 67°FWB, Outdoor: 95°FDB, (75°FWB)

Operating Conditions (Outdoor Intake Air Temp.) (Max. / Min.)	
Cooling <sup>2</sup>	115 F (46° C) DB / 14° F (-10° C) DB

<sup>2</sup> Applications should be restricted to comfort cooling only; equipment cooling applications are not recommended for low ambient temperature conditions.

AHRI Efficiency Ratings	
SEER [SEER2] / EER	24.6 [24.3] / 15.4

Energy Star <sup>®</sup>	Yes
--------------------------	-----

ENERGY STAR products are third-party certified by an EPA-recognized Certification Body.

Electrical Power Requirements	208 / 230V, 1-Phase, 60 Hz
-------------------------------	----------------------------

Minimum Circuit Ampacity (MCA) *		
Indoor / Outdoor (RBS)	A	1 / 7 (15A - Recommended Breaker Size)

\*All electrical work shall comply with National (CEC) and local codes and regulations.

Indoor Unit		
Blower Motor (ECM)	F.L.A.	0.76
Blower Motor Output	W	30
SHF / Moisture Removal		0.82 / 1.5 pt./h
Field Drainpipe Size O.D.	In.(mm)	5/8 (15)

Outdoor Unit		
Compressor		DC INVERTER-driven Twin Rotary
Fan Motor (ECM)	F.L.A.	0.50

Airflow Rate (Quiet - Lo - Med - Hi - Super Hi)			
Indoor	DRY	CFM (L/sec)	145-170-237-321-399 (68-80-112-152-188)
	WET		109-134-201-286-364 (51-63-95-135-172)
Outdoor			639 / 1102 (301 / 520)

Sound Pressure Level (Quiet - Lo - Med - Hi - Super Hi)			
Indoor	Cooling	dB(A)	19-22-30-37-43
Outdoor	Cooling		48

External Dimensions		
Indoor (H x W x D)	In.(mm)	11-5/8 x 31-7/16 x 9-1/8 (295 x 798 x 232)
Outdoor (H x W x D)		21-5/8 x 31-1/2 x 11-1/4 (550 x 800 x 285)

Net Weight		
Indoor	Lbs.(kg)	22 (10)
Outdoor		81 (37)

External Finish	
Indoor	Munsell 1.0Y 9.2 / 0.2
Outdoor	Munsell No. 3Y 7.8 / 1.1

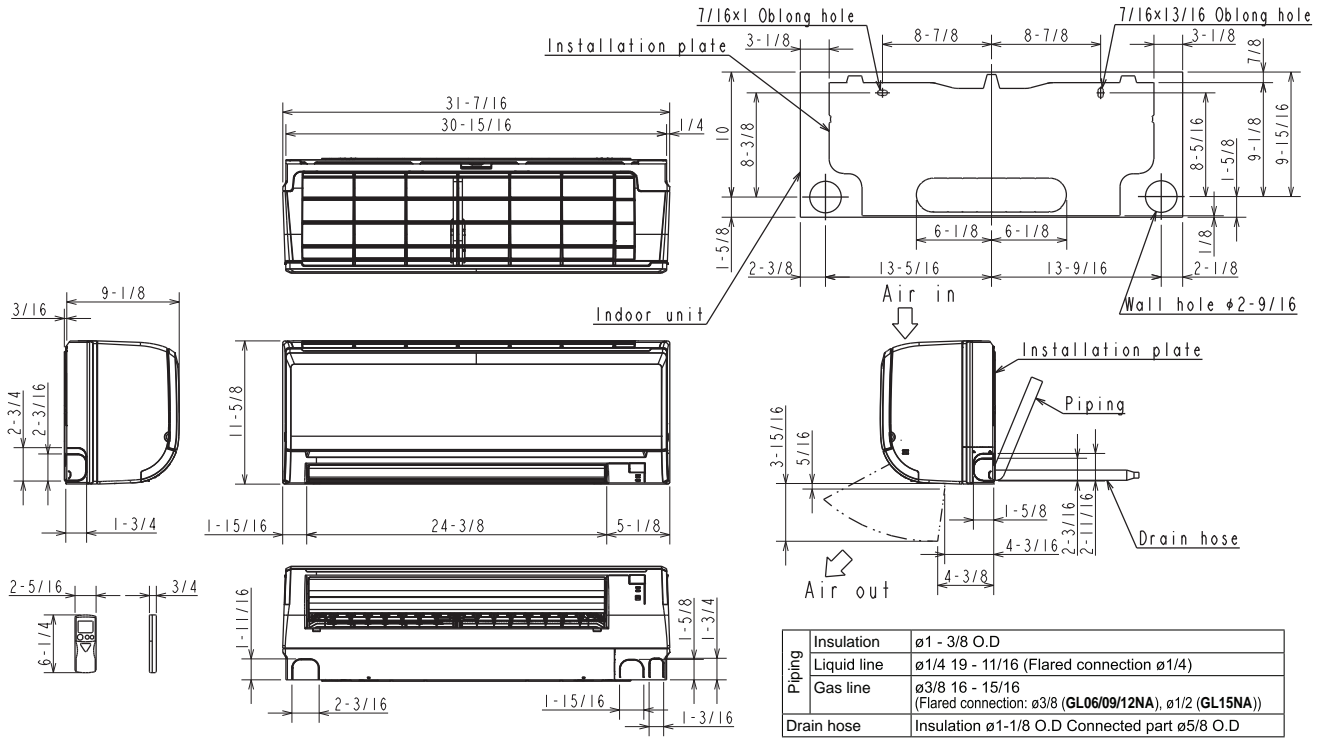
Refrigerant	R410A; 2 lb. 9 oz.
-------------	--------------------

Refrigerant Piping (Flared)		
Liquid (High Pressure)	In.(mm)	1/4 (6.35)
Gas (Low Pressure)		3/8 (9.52)
Max. Total Refrigerant Pipe Length (Height Diff.)	Ft. (m)	40 (12)
Max. Total Refrigerant Pipe Length (Length.)		65 (20)

Specifications are subject to change without notice

# DIMENSIONS: MSY-GL09NA-(U1)(U2) & MUY-GL09NA-U2

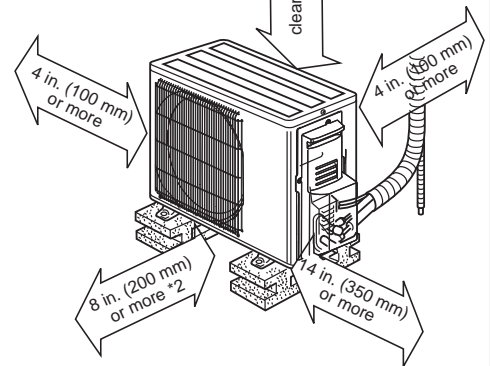
Unit: in. (mm)



## REQUIRED SPACE

Unit: in. (mm)

\*1 4 in. (100 mm) or more when front and sides of the unit are clear



\*2 When any 2 sides of left, right and rear of the unit are clear

