

Job Name: _____ **Engineer:** _____
Purchaser: _____
Location: _____
Submitted To: _____ **For:** Reference Approval Construction
Submitted By: _____
Unit Designation: _____ **Schedule No.** _____

SUBMITTAL DATA: MSZ-D36NA-8 / MUZ-D36NA-U2

Capacities:

Heating (Max.)..... 35200Btu/h (10.6kW/h)
 Heating (Min.)..... 8700Btu/h (2.7kW/h)
 Cooling (Max.)..... 33200Btu/h (9.7kW/h)
 Cooling (Min.) 9800Btu/h (2.9kW/h)
 SEER / COP 14.5 / 2.69
 HSPF Region (V).....8.2

Indoor Unit Specification:

Power Supply *1 208-230Vac 1Φ 60Hz
 Max. Fuse Size 15A
 MCA 1A
 Weight.....40lbs (18.1Kg)
 Sound Heating (L-M-H)..... 34-42-49 dB(A)
 Sound Cooling (L-M-H) 32-42-49 dB(A)
 Airflow (L-M -H) Dry CFM 389-639-848
 Wet CFM 350-576-763

Outdoor Unit Specification:

Power Supply *1 208-230Vac 1Φ 60Hz
 Breaker Size 25A
 MCA 21A
 Weight.....141lbs (64Kg)
 Sound cooling /heating..... 56/57 dB(A)

Refrigerant Piping:

Max. Ht. Difference50ft. (15.2m)
 Max. Length100ft. (30.5m)
 Liquid 3/8" (9.55mm)
 Gas 5/8" (15.88mm)

Standard Features:

- Ozone Friendly R-410A Refrigerant
- Significant Energy Savings (14.5 SEER)
- Super Quiet Technology
- Pre-charged Refrigerant
- 2 year parts, 6 years compressor warranty
- Fuzzy Logic “I Feel” mode for comfort cooling
- Easy maintenance with self diagnostic feature
- Catechin Plus air purifying system
- Variable compressor speed inverter technology
- Low ambient cooling (14°F/-10°C)
- Auto change over between heating and cooling.

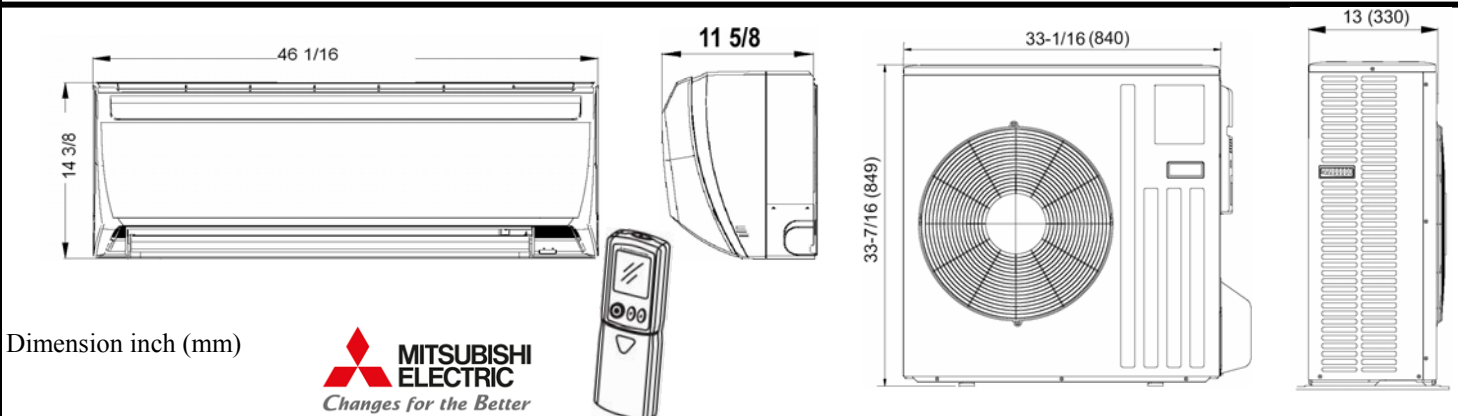
Operating Range:

		Indoor Intake Air Temp.		Outdoor Intake Air Temp.
Cooling	Max.	95°F/35°C D.B.	71°F/22°C W.B.	115°F/46°C D.B.
	Min.	67°F/19°C D.B.	57°F/14°C W.B.	14°F/-10°C D.B.
Heating	Max.	80°F/27°C D.B.	67°F/19°C W.B.	75°F/24°C D.B. 65°F/18°C W.B.
	Min.	70°F/21°C D.B.	60°F/15°C W.B.	14°F/-10°C D.B. 13°F/-10°C W.B.

***1 Electrical Wiring:**

Power to the indoor unit is supplied by the outdoor unit on terminals S1, S2

•Specifications subject to change without notice.



Dimension inch (mm)



Notes: