

SUBMITTAL DATA: MSZ-HM12NA-(U1)(U2) & MUZ-HM12NAH-U1

12,000 BTU/H WALL-MOUNTED HEAT PUMP SYSTEM

Job Name:	Location:	Date:
Purchaser:	Engineer:	
Submitted to:	For <input type="checkbox"/> Reference <input type="checkbox"/> Approval <input type="checkbox"/> Construction	
System Designation:	Schedule No.:	


ACCESSORIES:

Windscreens (ME-FR-15-17)

Controls

- Wired Remote Controller (PAR-40MAA)
- Wireless Controller (MHK2)
- Simple MA Remote Controller (PAC-YT53CRAU-J)
- Thermostat Interface (PAC-US444CN-1)
- System Control Interface (MAC-3341F-E)

ARI	Mode	Test	Indoor air condition (°F)		Outdoor air condition (°F)	
			Dry bulb	Wet bulb	Dry bulb	Wet bulb
SEER (Cooling)		"A-2" Cooling steady state at rated compressor speed	80	67	96	(75)
		"B-2" Cooling steady state at rated compressor speed	80	67	82	(65)
		"B-1" Cooling steady state at minimum compressor speed	80	67	82	(65)
		"F-1" Cooling steady state at minimum compressor speed	80	67	67	(53.5)
HSPF (Heating)		"E-V" Cooling steady state at intermediate compressor speed #4	80	67	87	(69)
		"H1-2" Heating steady state at rated compressor speed	70	60	47	43
		"H3-2" Heating at rated compressor speed	70	60	17	15
		"H0-1" Heating steady state at minimum compressor speed	70	60	62	56.5
		"H1-1" Heating steady state at minimum compressor speed	70	60	47	43
		"H2-V" Heating at intermediate compressor speed #4	70	60	35	33

#4: at intermediate compressor speed
 #1: ("Rated compressor speed" - "minimum compressor speed") / (3 + "minimum compressor speed")

Cooling	Rated Capacity (*1)	Btu/h	12,000	
	Capacity Range	Btu/h	3,800 - 12,200	
	Total input (*1)	W	1,210	
	Energy Efficiency	EER / EER2 (*1)		9.9 / 9.9
		SEER / SEER2 (*3)		18.0 / 20.0
	Moisture Removal	Pints/h	2.5	
	Heating at 47°F	Rated Capacity (*1)	Btu/h	12,200
		Capacity Range	Btu/h	4,500 - 14,500
		Total input (*1)	W	990
		HSPF / HSPF2 (Region IV) (*3)	Btu/h/W	9.0 / 8.5
Heating at 17°F	Rated Capacity (*2)	Btu/h	7,600	
	Rated Total input (*2)	W	800	
	Maximum Capacity (*2)	Btu/h	9,000	
	Maximum Total Input (*2)	W	990	
Power supply	Voltage, Phase, Cycle	208/230V, 1-phase, 60Hz		
	Indoor - Outdoor S1-S2	AC 208/230V		
	Indoor - Outdoor S2-S3	DC12-24V		
Voltage	Indoor - Remote controller	DC12V		
	MCA (*)	A	1.0	
		Fan Motor	F.L.A	0.76
Indoor unit	Air flow (Lo-Mid-High-Super High)	DRY(CMM)	170-237-321-399	
		WET(CMM)	134-201-286-364	
	Sound Level CLG (Low-Med-Hi-Super High)	dB (A)	22-30-37-45	
	Sound Level HTG (Low-Med-Hi-Super High)	dB (A)	22-30-37-43	
	External Finish Color	Munsell 1.0Y 9.2/0.2		
	Dimensions	W: in	31-7/16	
		D: in	9-1/8	
		H: in	11-5/8	
	Weight Unit	lbs	22	
	Field Drainpipe O.D.	in	O.D. 5/8	

Outdoor unit	MCA (*)	A	9
	MOCP (*)	A	15
	Fan Motor	F.L.A.	0.5
		R.L.A.	6.2
		L.R.A.	7.7
	Air Flow Cooling (Low-Med-High)	CFM	1,063
	Air Flow Heating (Low-Med-High)	CFM	1,105 - 1,282
	Refrigerant Control	Linear Expansion Valve	
	Defrost Method	Reverse Cycle	
	Sound Level (Cooling) (*1)	dB (A)	49
	Sound Level (Heating) (*1)	dB (A)	51
	External Finish Color	Munsell No.3Y 7.8/1.1	
	Dimension	W: in	31-1/2
		D: in	11-1/4
		H: in	21-5/8
Weight	lbs	73	
Remote Controller	Type	Simple Wireless Remote	
	Type	R410A	
Refrigerant	Charge	lbs, oz	1,12
	Oil	Type(Fl.oz.)	FV50S(9.1)
Refrigerant Pipe	Liquid side O.D.	in	1/4
	Gas side O.D.	in	3/8
	Height Difference (Max)	ft	40
	Length (Max.)	ft	65
Connection Method	Indoor/Outdoor	Flared/Flared	
Operation Guarantee	Cooling	°F (°C)	90°F --> 14°F (32°C --> -10°C)
	Heating	°F (°C)	80°F --> -15°F (26°C --> -20°C)
Efficiency	COP at 47°F ^{#1}	Rated Capacity	3.65
		Maximum Capacity	2.65
	COP at 5°F	Maximum Capacity	2.31

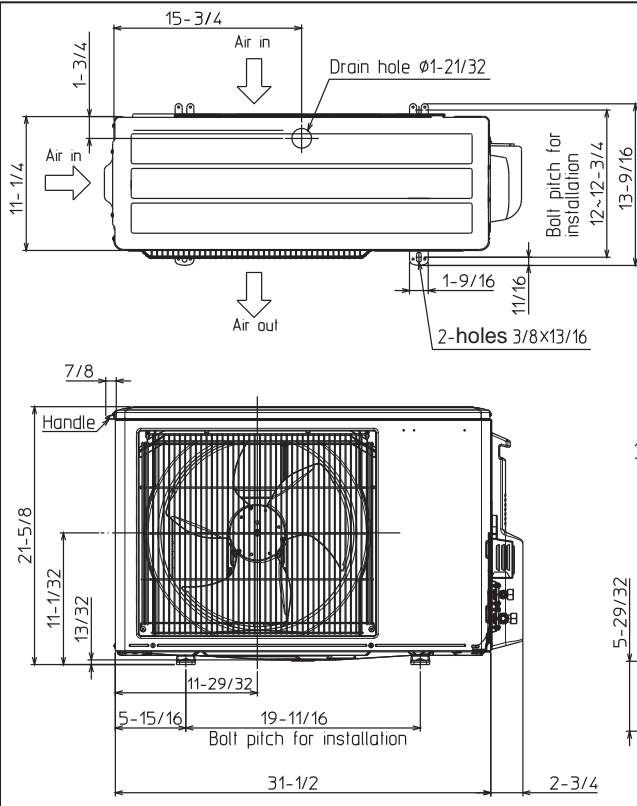
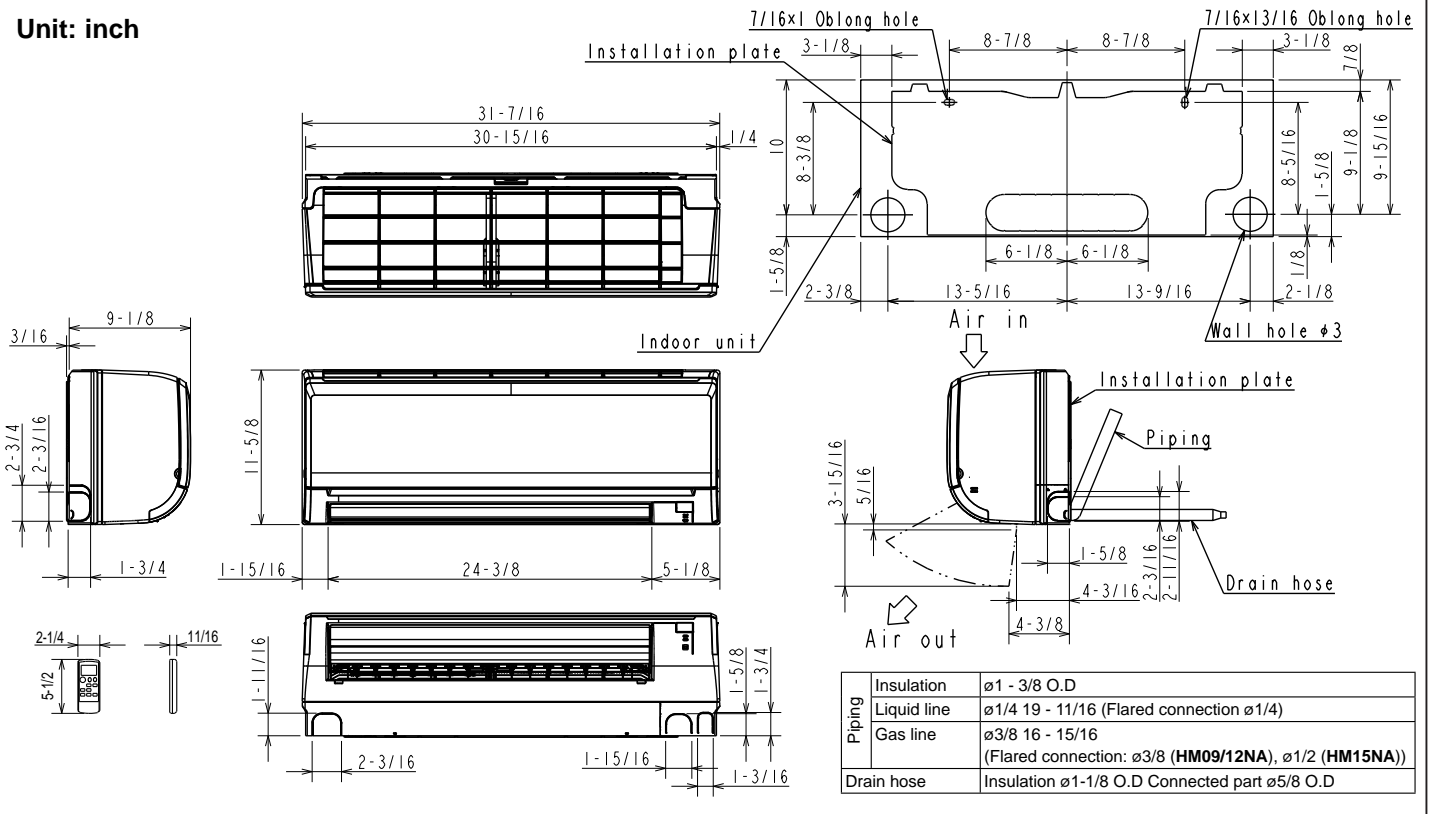
NOTE: Test conditions are based on AHRI 210/240.
 *1: Rating conditions (Cooling) — Indoor: 80°F DB, 67°F WB, Outdoor: 95°F DB, (75°F WB)
 (Heating) — Indoor: 70°F DB, 60°F WB, Outdoor: 47°F DB, 43°F WB
 *2: (Heating) — Indoor: 70°F DB, 60°F WB, Outdoor: 17°F DB, 15°F WB
 *3: Test condition

Note: Mitsubishi Electric (MESCA) supports the use of only MESCA supplied and approved accessories for proper functioning of the unit(s). Use of non-MESCA supported accessories will affect warranty coverage.

*All electrical work shall comply with National (CEC) and local codes and regulations. Should this document be altered or changed without MESCA's permission, it becomes null and void. MESCA assumes no responsibility for any consequences in such cases.

DIMENSIONS: MSZ-HM12NA-(U1)(U2) & MUZ-HM12NAH-U1

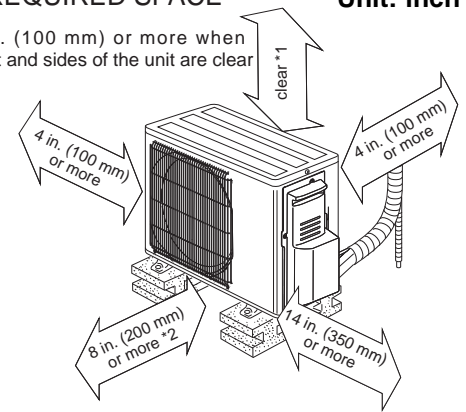
Unit: inch



REQUIRED SPACE

Unit: inch

*1 4 in. (100 mm) or more when front and sides of the unit are clear



*2 When any 2 sides of left, right and rear of the unit are clear

Liquid refrigerant pipe joint
Refrigerant pipe (flared) ϕ 1/4

Gas refrigerant pipe joint
Refrigerant pipe (flared) ϕ 3/8 (HM09/12)
 ϕ 1/2 (HM15/18)



Should this document be altered or changed without MESCA's permission, it becomes null and void. MESCA assumes no responsibility for any consequences in such cases.