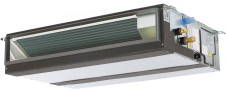


PEAD-A18AA(7)(8) & SUZ-KA18NAHZ

18,000 Btu/h Horizontal Ducted Heat Pump

Job Name:	Location:	Date:
Purchaser:	Submitted by:	
Submitted to:	Reference	Approval
System Designation:	Schedule Number #:	
Engineer:		



Energy Efficiency	SEER	18.9
	EER	12.8
	HSPF	10.8

Accessories:

- Windscreens (ME-FR-24)
 - External Fan/Heater Control Adapter (PAC-YU25HT-G)
 - Cable Connector of Remote Sensor (PAC-SA88HA-EP)*
- *Allows control of several units with multiple remote control display

Optional Controls:

- Wireless Controller (MHK2)
- Wired Remote Controller (PAR-40MAA)
- Simple MA Remote Controller (PAC-YT53CRAU-J)
- System Control Interface (MAC-334IF-E)
- Wireless Remote (PAR-FL32MA-E) (Requires PAR-FA32MA-E)
- Remote Temperature Sensor (PAC-SE41TS-E)

Indoor unit	MCA (*)	A	1.69
	Fan Motor	F.L.A	1.35
	Fan Motor Output	W	85
	Air flow (Lo-Mid-Hi)	DRY(CFM)	424-512-600
		WET(CFM)	382-461-540
	External Static Pressure	in WG	0.14-0.20-0.28-0.40-0.60
	Sound Pressure Level (Lo-Mid-Hi)	dB (A)	30-33-37
	External Finish Color	Galvanized Sheets	
	Dimensions	W: in	35-7/16
		D: in	28-7/8
		H: in	9-7/8
	Weight Unit	lbs	62
	Field Drainpipe O.D.	in	O.D. 1-1/4
	Refrigerant pipe Gas	in	1/2
	Refrigerant pipe Liquid	in	1/4
Moisture Removal	Pints/h	3.6	
Sensible Heat Factor		0.78	

*All electrical work shall comply with National (CEC), local codes and regulations.

Should this document be altered or changed without MESCA's permission, it becomes null and void. MESCA assumes no responsibility for any consequences in such cases.

Note: Mitsubishi Electric (MESCA) supports the use of only MESCA supplied and approved accessories for proper functioning of the unit(s). Use of non-MESCA supported accessories will affect warranty coverage.

PEAD-A18AA(7)(8) & SUZ-KA18NAHZ

Outdoor unit	MCA (*)	A	17	
	MOCP (*) (Breaker)	A	31 (20)	
	Fan Motor	F.L.A.	1	
	Compressor	Model(Type)	DC INVERTER-Driven Twin Rotary	
		R.L.A.	13	
		L.R.A.	16	
	Air flow (Cooling/Heating)	CFM	(2,020/1,930)	
	Refrigerant Control	Linear Expansion Valve		
	Defrost Method	Reverse Cycle		
	SPL (Cooling)	dB (A)	55	
	SPL (Heating)	dB (A)	55	
	External Finish Color	Munsell No.3Y 7.8/1.1		
	Dimension	W: in	33-1/16	
		D: in	13	
H: in		34-5/8		
Weight	lbs	131		
Remote Controller	Type	Wired Remote Controller		
Refrigerant	Type	R410A		
	Charge	lbs, oz	4,14	
	Oil	Type(Fl.oz.)	FV50S(23.7)	
Refrigerant Pipe	Gas side O.D.	in	1/2	
	Liquid side O.D.	in	1/4	
	Height Difference (Max)	ft	50	
	Length (Max.)	ft	100	
Connection Method	Indoor/Outdoor	Flared/Flared		
Operation Guarantee	Cooling	°F	14 - 115	
	Heating	°F	-13 - 75	

Power supply	Voltage, Phase, Cycle	1-phase, 60Hz, 208/230V
Voltage	Indoor - Outdoor S1-S2	AC 208/230V
	Indoor - Outdoor S2-S3	DC12-24V
	Indoor - Remote controller	DC12V

		MAX (Btu)	MAX RATED INPUT (W)	RATED (Btu)	RATED TOTAL INPUT (W)	COP
Heating	47°F	29,680	3,331	22,896	1,937	2.61
	17°F	22,540	2,632	14,148	1,531	2.51
	5°F	22,540	2,048	9,288	1,191	2.28
	-4°F	16,116	1,564	5,557	909	1.79
	-13°F	9,692	1,039	1,377	604	0.67
Cooling	80°F	21,212	1,304	21,212	1,304	4.77

* COP at MAX capacity

NOTES : *1.Rating conditions (cooling)-Indoor : D.B. 26.7°C (80°F), W.B. 19.4°C (67°F) Outdoor : D.B. 35°C (95°F), W.B. 23.9°C (75°F)
(heating)-Indoor : D.B. 21.1°C (70°F), W.B. 15.6°C (60°F) Outdoor : D.B. 8.3°C (47°F), W.B. 6.1°C (43°F)
*2.Rating conditions(heating)-Indoor : D.B. 21.1°C (70°F), W.B. 15.6°C (60°F) Outdoor : D.B. -8.3°C (17°F), W.B. -9.4°C (15°F)

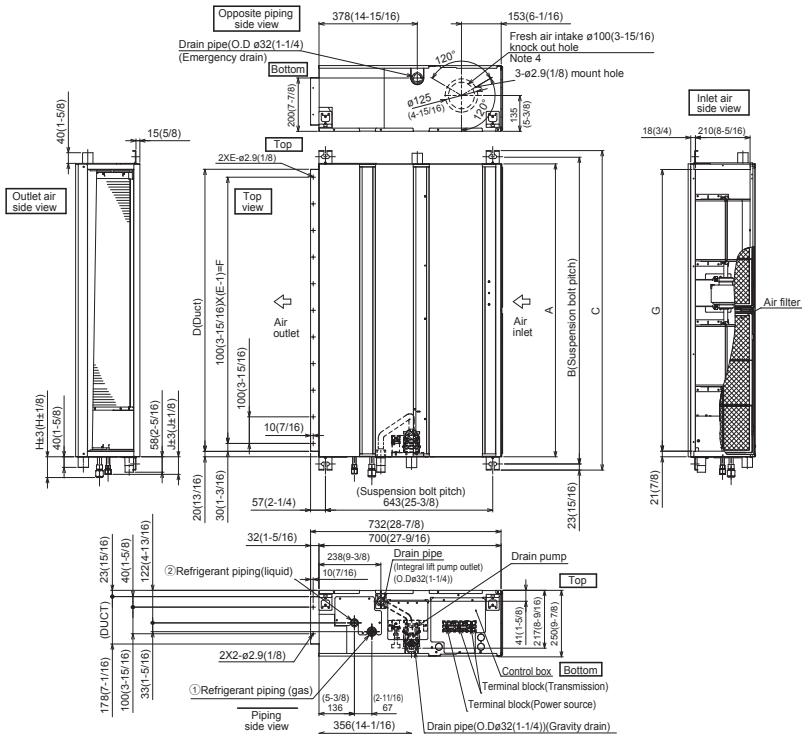
Operation range	Indoor intake air temperature		Outdoor intake air temperature	
Cooling	Maximum	D.B. 35°C (95°F), W.B. 21.7°C (71°F)	D.B. 46°C (115°F)	
	Minimum	D.B. 19.4°C (67°F), W.B. 13.9°C (57°F)	D.B. -10°C (14°F)	
Heating	Maximum	D.B. 26.7°C (80°F), W.B. 19.4°C (67°F)	D.B. 24°C (75°F), W.B. 18°C (65°F)	
	Minimum	D.B. 21.1°C (70°F), W.B. 15.6°C (60°F)	D.B. -25°C (-13°F), W.B. -26°C (-14°F)	

*All electrical work shall comply with National (CEC), local codes and regulations.

Should this document be altered or changed without MESCA's permission, it becomes null and void. MESCA assumes no responsibility for any consequences in such cases.

Note: Mitsubishi Electric (MESCA) supports the use of only MESCA supplied and approved accessories for proper functioning of the unit(s). Use of non-MESCA supported accessories will affect warranty coverage.

PEAD-A18AA(7)(8) & SUZ-KA18NAHZ



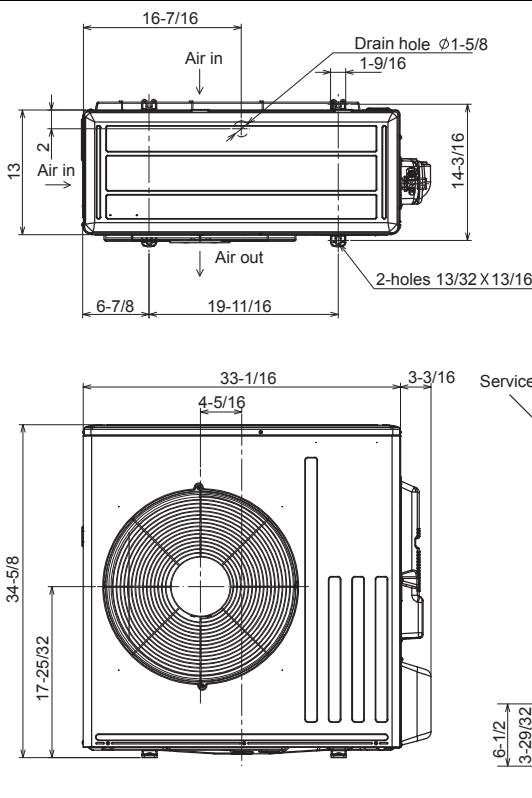
- Note 1. Use an M10 screw for the suspension bolt (field supply).
 2. Keep the service space for maintenance at the bottom.
 3. This drawing is for PEAD-A24-30-36-42 AA7 models, which have 2 fans. PEAD-A09-12-15-18AA7 models have 1 fan.
 4. If the inlet duct is used, remove the air filter (supplied with the unit), then install the filter (field supply) at the suction side.
 5. Heat air to 0°C (32°F) or higher when taking fresh air with a fresh air intake.

Unit:mm(in.)

Model	J	① Gas pipe	② Liquid pipe
PEAD-A09AA7	62 (2-1/2)	ø9.52 (3/8)	ø6.35 (1/4)
PEAD-A12, 15, 18AA7	62 (2-1/2)	ø12.7 (1/2)	ø6.35 (1/4)
PEAD-A24,30AA7	66 (2-5/8)	ø15.88 (5/8)	ø9.52 (3/8)
PEAD-A09, 12, 15, 18AA7	800 (31-1/2)	860 (33-7/8)	858 (33-13/16)
PEAD-A24, 30AA7	1000 (39-3/8)	1058 (41-11/16)	1058 (41-11/16)
PEAD-A36, 42AA7	1300 (51-3/16)	1358 (53-1/2)	1358 (53-1/2)

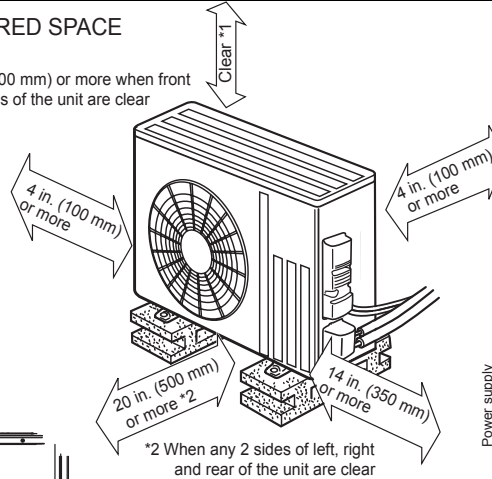
Unit:mm(in.)

Model	J	① Gas pipe	② Liquid pipe
PEAD-A09AA7	62 (2-1/2)	ø9.52 (3/8)	ø6.35 (1/4)
PEAD-A12, 15, 18AA7	62 (2-1/2)	ø12.7 (1/2)	ø6.35 (1/4)
PEAD-A24,30AA7	66 (2-5/8)	ø15.88 (5/8)	ø9.52 (3/8)
PEAD-A09, 12, 15, 18AA7	800 (31-1/2)	860 (33-7/8)	858 (33-13/16)
PEAD-A24, 30AA7	1000 (39-3/8)	1058 (41-11/16)	1058 (41-11/16)
PEAD-A36, 42AA7	1300 (51-3/16)	1358 (53-1/2)	1358 (53-1/2)

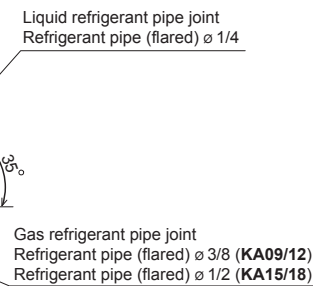


REQUIRED SPACE

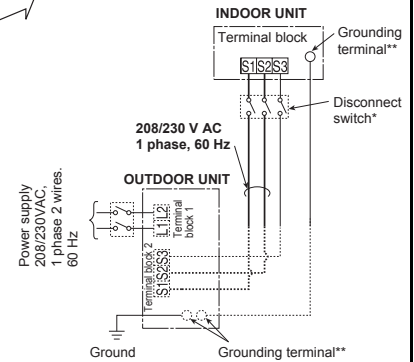
*1 20 in. (500 mm) or more when front and sides of the unit are clear



*2 When any 2 sides of left, right and rear of the unit are clear



Unit: inch



Remark:

- * A disconnect switch is required. Check the local code.
- ** Use a ring tongue terminal in order to connect a ground wire to terminal.



*All electrical work shall comply with National (CEC), local codes and regulations.

Should this document be altered or changed without MESCA's permission, it becomes null and void. MESCA assumes no responsibility for any consequences in such cases.

Note: Mitsubishi Electric (MESCA) supports the use of only MESCA supplied and approved accessories for proper functioning of the unit(s). Use of non-MESCA supported accessories will affect warranty coverage.