

SUBMITTAL DATA: PEAD-A09AA(7)(8) & SUZ-KA09NAH2

9,000 BTU/H Horizontal-Ducted HEAT PUMP SYSTEM

Job Name:	Location:	Date:
Purchaser:	Engineer:	
Submitted to:	For <input type="checkbox"/> Reference <input type="checkbox"/> Approval <input type="checkbox"/> Construction	
System Designation:	Schedule No.:	

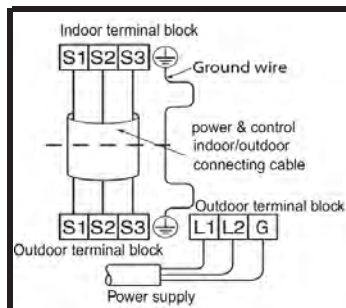

ACCESSORIES:

- Windscreens (ME-FR-15-17)
- External Fan/Heater Control Adapter (PAC-YU25HT-G)
- Cable connector of Remote Sensor (PAC-SA88HA-EP)*
- *Allows control of several units with multiple remote control display

Optional Controls

- Wireless Controller (MHK2)
- Wired Remote Controller (PAR-40MAA)
- Simple MA Remote Controller (PAC-YT53CRAU-J)
- Thermostat Interface (PAC-US444CN-1)
- System Control Interface (MAC-334IF-E)
- Wireless Remote (PAR-FL32MA-E) (Requires PAR-FA32MA-E)
- Remote Temperature Sensor (PAC-SE41TS-E)

Outdoor: D.B. 35°C(95°F), W.B. 23.9°C(75°F) Outdoor: D.B. 8.3°C(47°F), W.B. 6.1°C(43°F) Outdoor: D.B. -8.3°C(17°F), W.B. -9.4°C(15°F)	
Outdoor intake air temperature D.B. 46°C(115°F) D.B. -10°C(14°F)	Outdoor: D.B. 26.7°C(80°F), W.B. 19.4°C(67°F) Outdoor: D.B. 21.1°C(70°F), W.B. 15.6°C(60°F) Outdoor: D.B. 21.1°C(70°F), W.B. 15.6°C(60°F)
Indoor intake air temperature D.B. 35°C(95°F), W.B. 21.7°C(71°F) D.B. 19.4°C(67°F), W.B. 13.9°C(57°F)	Indoor: D.B. 26.7°C(80°F), W.B. 19.4°C(67°F) Indoor: D.B. 21.1°C(70°F), W.B. 15.6°C(60°F)
Cooling Maximum Minimum	Heating Maximum Minimum



Specifications are subject to change without notice

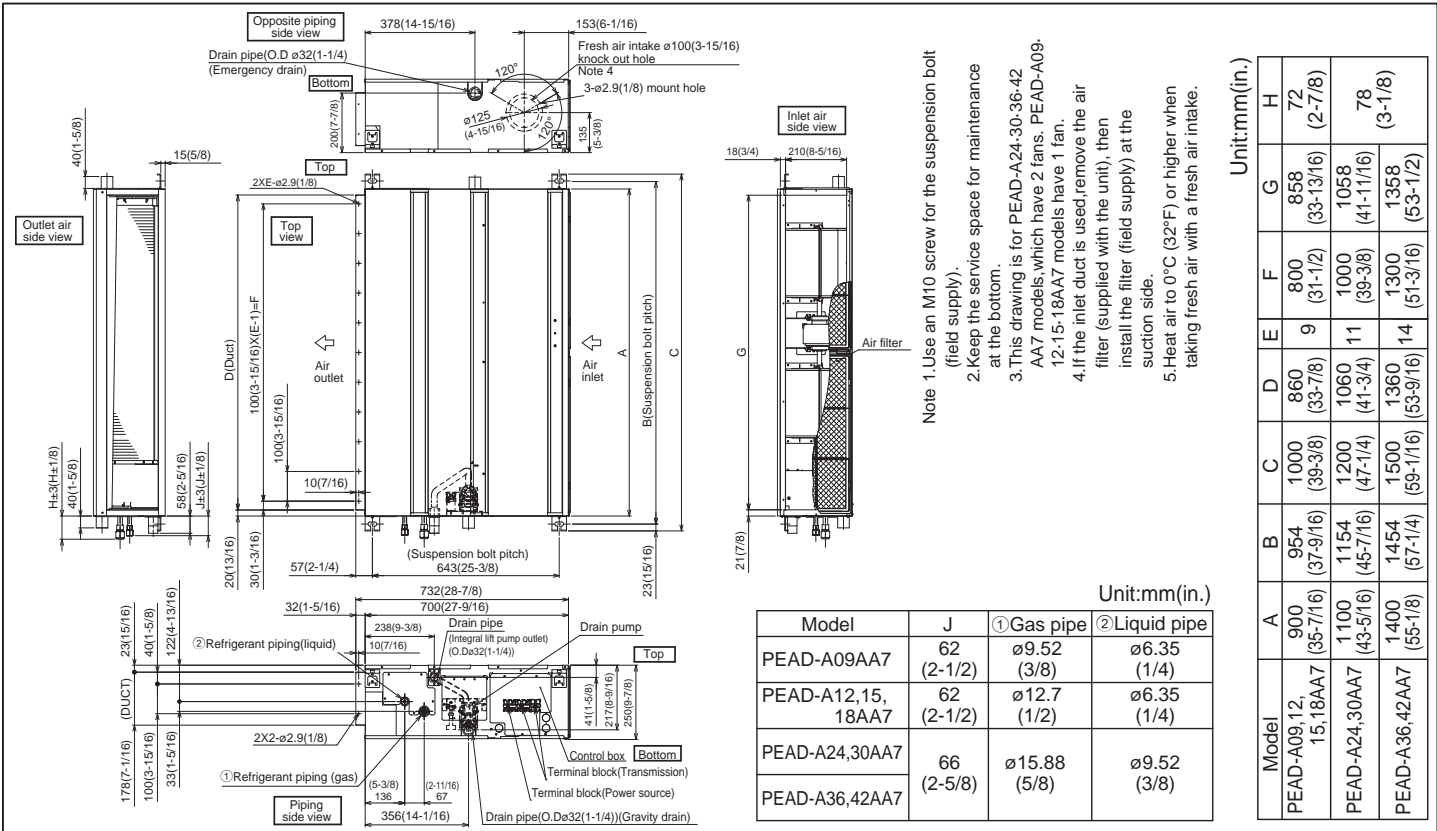
Cooling	Rated Capacity	Btu/h	9000	
	Capacity Range	Btu/h	4300-9000	
	Total input	W	720	
		EER	12.5	
	Energy Efficiency	SEER	19.7	
	Moisture Removal	Pints/h	0.8	
Sensible Heat Factor			0.9	
Heating at 47°F	Rated Capacity	Btu/h	12000	
	Capacity Range	Btu/h	3960-13000	
	Total input	W	900	
	HSPF(Region IV)	Btu/h/W	12.6(11.9)	
Heating at 17°F	Rated Capacity	Btu/h	7600	
	Rated Total input	W	880(1010)	
	Maximum Capacity	Btu/h	7600	
	Maximum Total Input	W	880(1010)	
Power supply	Voltage, Phase, Cycle		208/230V, 1-phase, 60Hz	
Voltage	Indoor - Outdoor S1-S2		AC 208/230V	
	Indoor - Outdoor S2-S3		DC12-24V	
	Indoor - Remote controller		DC12V	
Indoor unit	MCA (*)	A	1.45	
	Fan Motor	F.L.A.	1.16	
	Fan Motor Output	W	85	
		DRY(CFM)	282-318-353	
	Air fow (Lo-Mid-Hi)	WET(CFM)	254-286-318	
	External Static Pressure	in WG	0.14-0.20-0.28-0.40-0.60	
	Sound Pressure Level (Lo-Mid-Hi)	dB (A)	24-26-28	
	External Finish Color		Galvanized Sheets	
	Dimensions	W: in		35-7/16
		D: in		28-7/8
		H: in		9-7/8
Weight Unit	lbs		58	
Field Drainpipe O.D.	in		O.D. 1-1/4	
Refrigerant pipe Gas	in		3/8	
Refrigerant pipe Liquid	in		1/4	

Outdoor unit	MCA (*)	A	9	
	MOCP (*)	A	15	
	Fan Motor	F.L.A.	0.5	
	Compressor		Model(Type)	DC INVERTER-driven
			R.L.A.	6.2
			L.R.A.	7.7
	Air fow (Cooling/Heating)	CFM		(1,229/1,172)
	Refrigerant Control			Linear Expansion Valve
	Defrost Method			Reverse Cycle
	SPL (Cooling)	dB (A)		48
	SPL (Heating)	dB (A)		50
	External Finish Color			Munsell No.3Y 7.8/1.1
	Dimension	W: in		31-1/2
		D: in		11-1/4
H: in			21-5/8	
Weight	lbs		81	
Remote Controller	Type		Wired Remote Controller	
Refrigerant	Type		R410A	
	Charge	lbs, oz	2.5	
Refrigerant Pipe	Oil	Type(Fl.oz.)	FV50S(9.1)	
	Gas side O.D.	in	3/8	
	Liquid side O.D.	in	1/4	
	Height Difference (Max)	ft		40
	Length (Max.)	ft		65
Connection Method	Indoor/Outdoor		Flared/Flared	
Operation Guarantee	Cooling	°F	14 - 115	
	Heating	°F	-4 - 75	

Note: Mitsubishi Electric (MESCA) supports the use of only MESCA supplied and approved accessories for proper functioning of the unit(s). Use of non-MESCA supported accessories will affect warranty coverage.

*All electrical work shall comply with National (CEC) and local codes and regulations. Should this document be altered or changed without MESCA's permission, it becomes null and void. MESCA assumes no responsibility for any consequences in such cases.

DIMENSIONS: PEAD-A09AA(7)(8) & SUZ-KA09NAH2

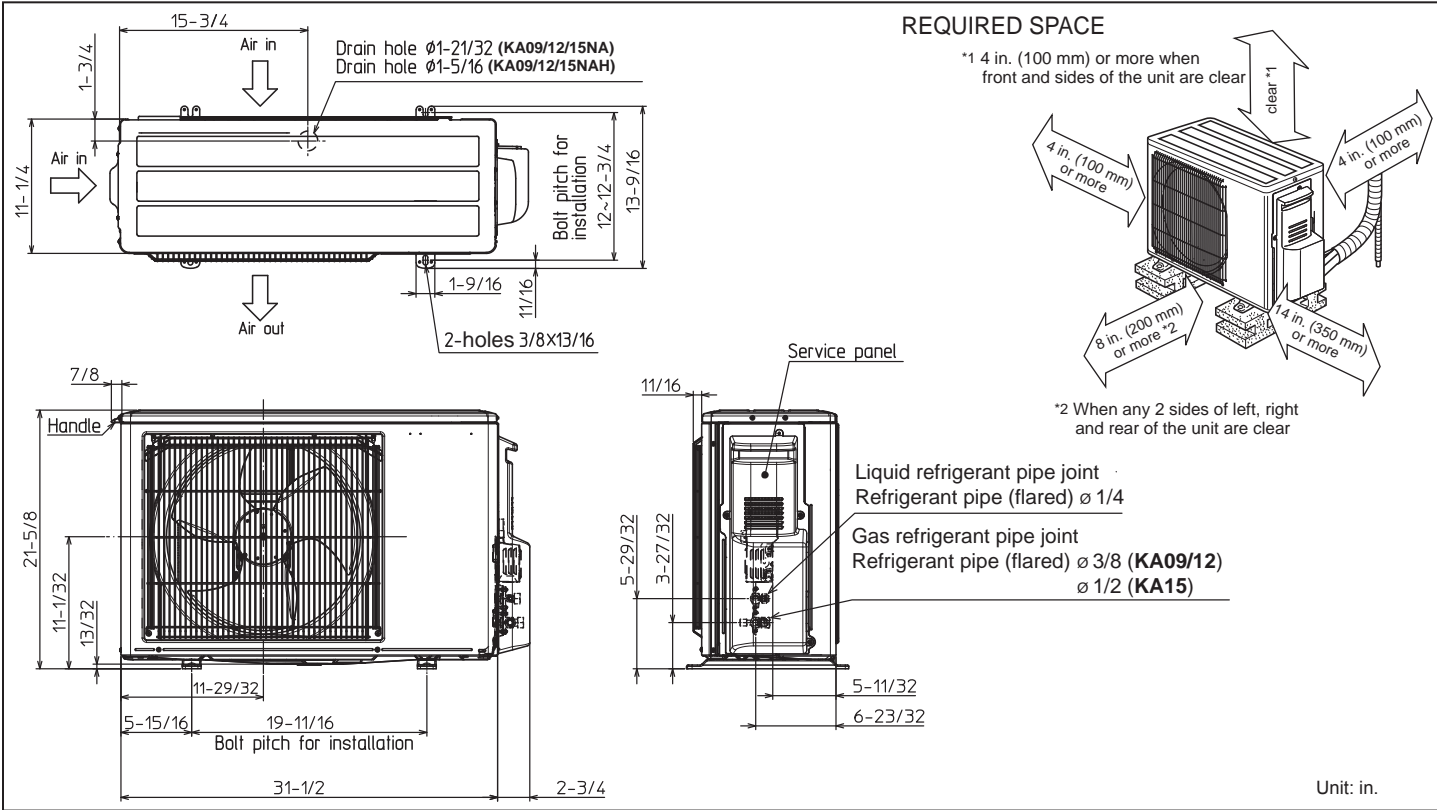


Unit:mm(in.)

Model	J	① Gas pipe	② Liquid pipe
PEAD-A09AA7	62 (2-1/2)	$\phi 9.52$ (3/8)	$\phi 6.35$ (1/4)
PEAD-A12, 15, 18AA7	62 (2-1/2)	$\phi 12.7$ (1/2)	$\phi 6.35$ (1/4)
PEAD-A24,30AA7	66 (2-5/8)	$\phi 15.88$ (5/8)	$\phi 9.52$ (3/8)
PEAD-A36,42AA7			

Unit:mm(in.)

Model	A	B	C	D	E	F	G	H
PEAD-A09, 12, 15, 18AA7	900 (35-7/16)	954 (37-9/16)	1000 (39-3/8)	860 (33-7/8)	9	800 (31-1/2)	858 (33-13/16)	72 (2-7/8)
PEAD-A24,30AA7	1100 (43-5/16)	1154 (45-7/16)	1200 (47-1/4)	1060 (41-3/4)	11	1000 (39-3/8)	1058 (41-11/16)	78 (3-1/8)
PEAD-A36,42AA7	1400 (55-1/8)	1454 (57-1/4)	1500 (59-1/16)	1360 (53-9/16)	14	1300 (51-3/16)	1358 (53-1/2)	



Should this document be altered or changed without MESCA's permission, it becomes null and void. MESCA assumes no responsibility for any consequences in such cases.