

SUBMITTAL DATA: PEAD-A12AA(7)(8) & PUY-A12NKA7
12,000 BTU/H HORIZONTAL-DUCTED AIR-CONDITIONING SYSTEM

Job Name:	Engineer:
Purchaser:	Application: Std. Cooling Ultra Low Ambient Cooling
Submitted To:	For: <input type="checkbox"/> Reference <input type="checkbox"/> Approval <input type="checkbox"/> Construction
Submitted By:	Location:
System Designation:	Schedule No.:



UNIT OPTION:

Standard Model.....PUY-A12NKA7

ACCESSORIES:

Indoor Unit

Filter Box (PAC-KE92TB-E)

Controls

- Wireless Controller (MHK2)
- Advanced Wired Controller (PAR-40MAA)
- Simple Wired Controller (PAC-YT53CRAU)
- Wireless Remote Controller (PAR-FL32MA) + Wireless Signal Receiver (PAR-FA32MA)
- Thermostat Interface (PAC-US444CN)
- M-NET Adapter (PAC-SJ96MA-E)

Outdoor Unit

- Front Wind Guard (PFR-12-18)
- Rear Wind Guard (PRE-12-18)
- Side Wind Guard (PSD-12-18)

Note: Mitsubishi Electric (MESCA) supports the use of only MESCA supplied and approved Snow Guard / Wind Deflectors / Windscreens and accessories for proper functioning of the unit(s). Use of non-MESCA supported Snow Guard / Wind Deflectors / Windscreens and accessories will affect warranty coverage.

SPECIFICATIONS:

Rated Conditions (Capacity / Input)*		
Cooling	Blu/h / W	12,000 / 920

* Rating Conditions per AHRI Standard:
Cooling | Indoor: 80° F (27° C) DB / 67° F (19° C) WB
Cooling | Outdoor: 95° F (35° C) DB / 75° F (24° C) WB

Capacity Range		
Cooling	Blu/h	5,000 - 12,000

Operating Range		
Cooling		-40F** (-40.0°C) to 115°F (46°C) DB

** Windscreens required for cooling operation below 23°F (-5°C)

AHRI Efficiency Rating	
EER	13.0
SEER	21.1

Electrical Power Requirements	208 / 230V, 1-Phase, 60 Hz
-------------------------------	----------------------------

Minimum Circuit Ampacity (MCA) *	Breaker Size	MOCP (Outdoor)
Indoor 1.45 AMP	Outdoor 11 AMP	15 AMP
		28 AMP

***All electrical work shall comply with National (CEC) and local codes and regulations.**

Indoor Unit			
Blower Motor (ECM)	F.L.A.	1.16	
Blower Motor Output	W	85	
SHF / Moisture Removal		0.83 / 1.8 pt./h	
External Static Pressure	In. WG	0.14-0.20-0.28-0.40-0.60	
Drain Lift Mechanism (Included)	H: In.	27-9/16	Drainpipe Size O.D [in. (mm)] - 1-1/4 (32)

Outdoor Unit		
Compressor		DC INVERTER-driven Scroll
Fan Motor (ECM)	F.L.A.	0.5
Fan Motor Power	W	46

Airflow Rate (Low-Mid-Hi)			
Indoor (Cooling)	DRY	CFM	353-424-494
	WET		313-384-454
Outdoor	DRY		1,590

Sound Pressure Level		
Indoor (Low-M1-M2-Hi)	dB(A)	28-30-34
Outdoor	Cooling	44

External Dimensions		
Indoor (H x W x D)	In.(mm)	9-7/8 x 35-7/16 x 28-7/8 (250 x 900 x 732)
Outdoor (H x W x D)		24-13/16 x 31-13/16 + 7/16 x 11-3/16 (630 x 809 + 62 x 300)

Net Weight		
Indoor	Lbs.(kg)	58 (26)
Outdoor		92 (41)

External Finish	
Indoor	Galvanized-steel Sheet
Outdoor	Munsell No. 3Y 7.8 / 1.1

Refrigerant	R410A ; 4lbs., 7oz. (2.0kg)
-------------	-----------------------------

Refrigerant Piping (Flared)		
Liquid (High Pressure)	In.(mm)	1/4 (6.35)
Gas (Low Pressure)		1/2 (12.7)
Maximum Total Refrigerant Pipe Length	Fl. (m)	165 (50)
Maximum Vertical Separation	Fl. (m)	100 (30)

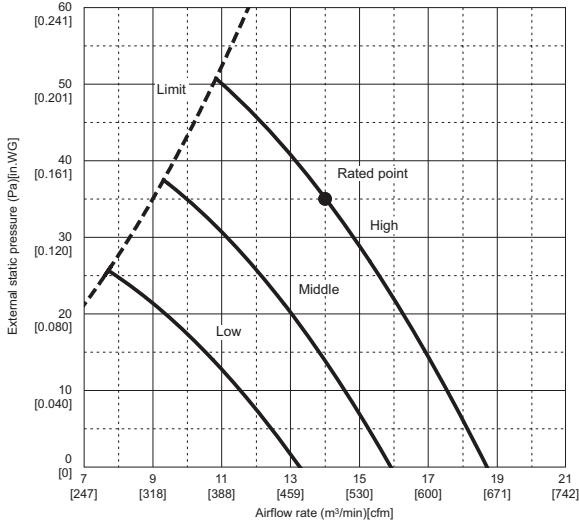
Specifications are subject to change without notice.

Should this document be altered or changed without MESCA's permission, it becomes null and void. MESCA assumes no responsibility for any consequences in such cases.

FAN PERFORMANCE AND CORRECTED AIR FLOW - PEAD-A12AA(7)(8)

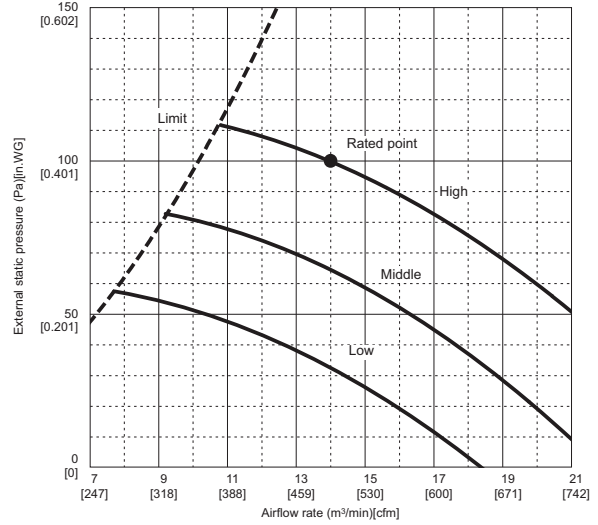
PEAD-A12AA7

(External static pressure 35Pa) 208-230V 60Hz



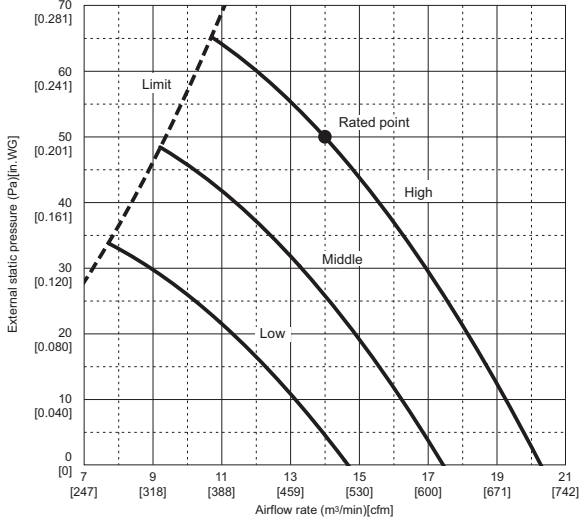
PEAD-A12AA7

(External static pressure 100Pa) 208-230V 60Hz



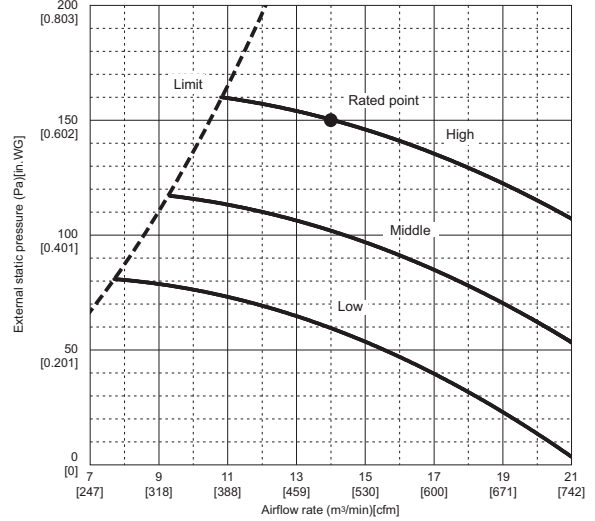
PEAD-A12AA7

(External static pressure 50Pa) 208-230V 60Hz



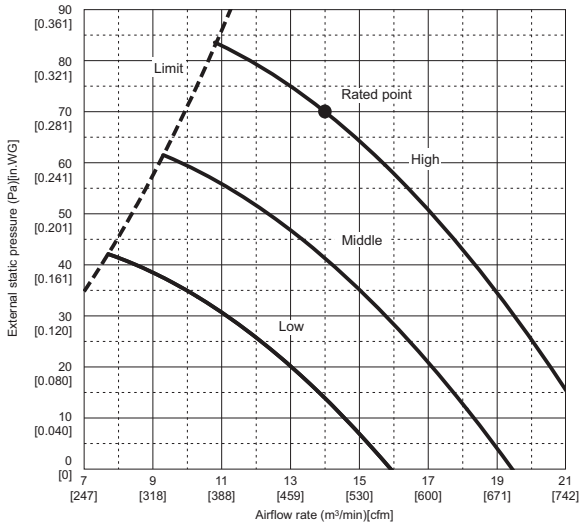
PEAD-A12AA7

(External static pressure 150Pa) 208-230V 60Hz



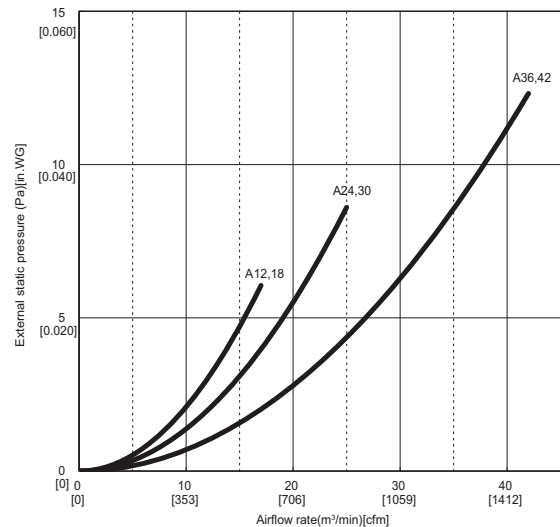
PEAD-A12AA7

(External static pressure 70Pa) 208-230V 60Hz



PEAD-A12,18,24,30,36,42AA7

Air filter 208-230V 60Hz



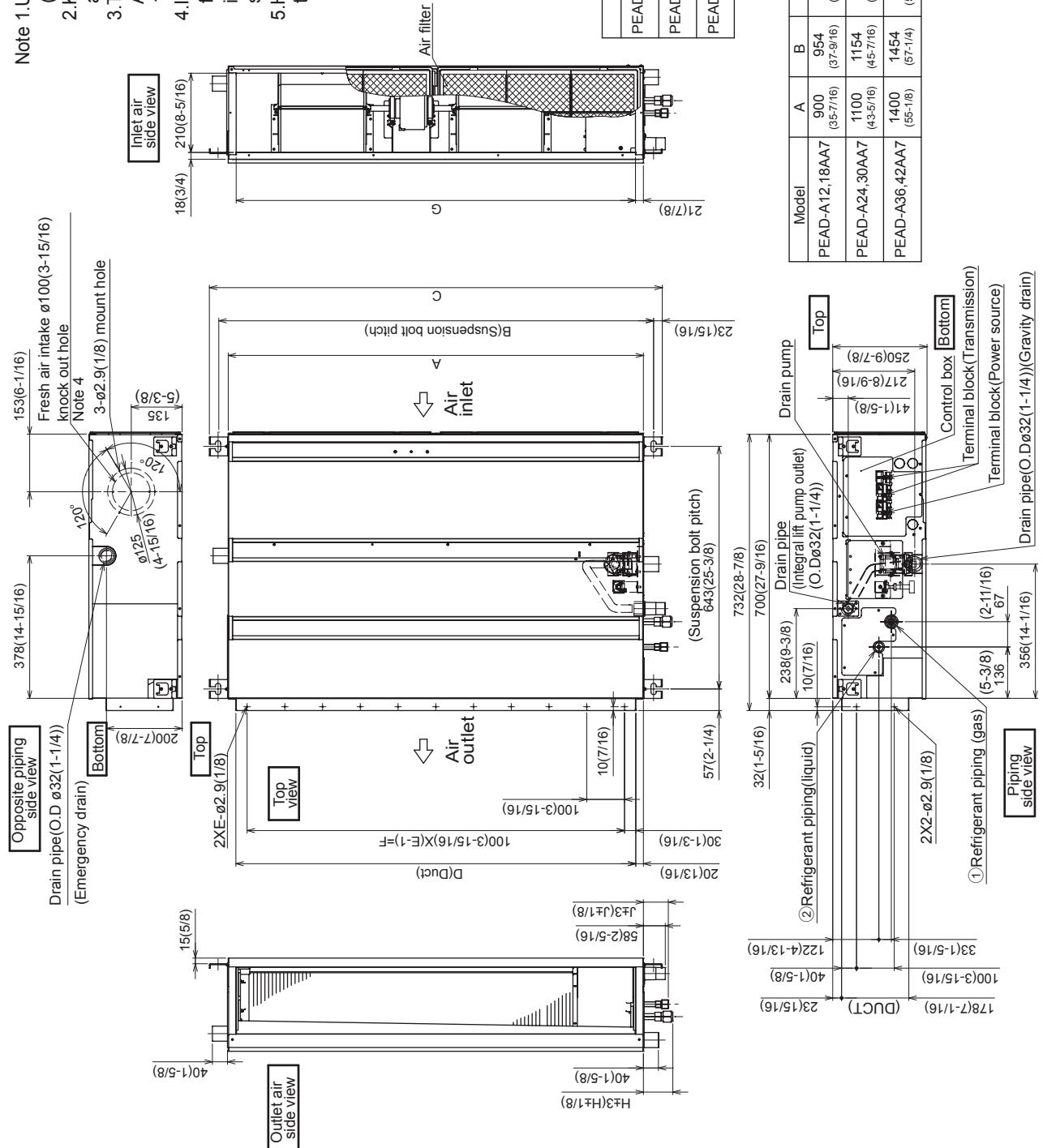
Specifications are subject to change without notice.

Should this document be altered or changed without MESCA's permission, it becomes null and void. MESCA assumes no responsibility for any consequences in such cases.

DIMENSIONS: PEAD-A12AA(7)(8)

Unit: mm (in.)

- Note 1.** Use an M10 screw for the suspension bolt (field supply).
Note 2. Keep the service space for maintenance at the bottom.
Note 3. This drawing is for PEAD-A24-30-36-42 AA7 models, which have 2 fans. PEAD-A12-18AA7 models have 1 fan.
Note 4. If the inlet duct is used, remove the air filter (supplied with the unit), then install the filter (field supply) at the suction side.
Note 5. Heat air to 0 °C (32 °F) or higher when taking fresh air with a fresh air intake.



Model	J	① Gas pipe	② Liquid pipe
PEAD-A12,18AA7	62 (2-1/2)	ø12,7 (1/2)	ø6,35 (1/4)
PEAD-A24,30AA7	66 (2-5/8)	ø15,88 (5/8)	ø9,52 (3/8)
PEAD-A36,42AA7			

Unit:mm(in.)									
Model	A	B	C	D	E	F	G	H	
PEAD-A12,18AA7	900 (35-7/16)	954 (37-9/16)	1000 (39-3/8)	860 (33-7/8)	9	800 (31-1/2)	858 (33-13/16)	72 (2-7/8)	
PEAD-A24,30AA7	1100 (43-5/16)	1154 (45-7/16)	1200 (47-1/4)	1060 (41-3/4)	11	1000 (39-3/8)	1058 (41-11/16)	78 (3-1/8)	
PEAD-A36,42AA7	1400 (55-1/8)	1454 (57-1/4)	1500 (59-1/16)	1360 (53-9/16)	14	1300 (51-3/16)	1358 (53-1/2)		

Specifications are subject to change without notice.

Should this document be altered or changed without MESCA's permission, it becomes null and void. MESCA assumes no responsibility for any consequences in such cases.

DIMENSIONS: PEAD-A12AA7

Unit: mm (in.)

[Maintenance access space]

Secure enough access space to allow for the maintenance, inspection, and replacement of the motor, fan, drain pump, heat exchanger, and control box in one of the following ways.

Select an installation site for the indoor unit so that its maintenance access space will not be obstructed by beams or other objects.

- (1) When a space of 300mm or more is available below the unit between the unit and the ceiling.
 - Create access door 1 and 2 (450x450mm each) as shown in Fig.2.
 - (Access door 2 is not required if enough space is available below the unit for a maintenance worker to work in.)
- (2) When a space of less than 300mm is available below the unit between the unit and the ceiling.
 - (At least 20mm of space should be left below the unit as shown in Fig.3.)
 - Create access door 1 diagonally below the control box and access door 3 below the unit as shown in Fig.4.
 - Create access door 4 below the control box and the unit as shown in Fig.5.

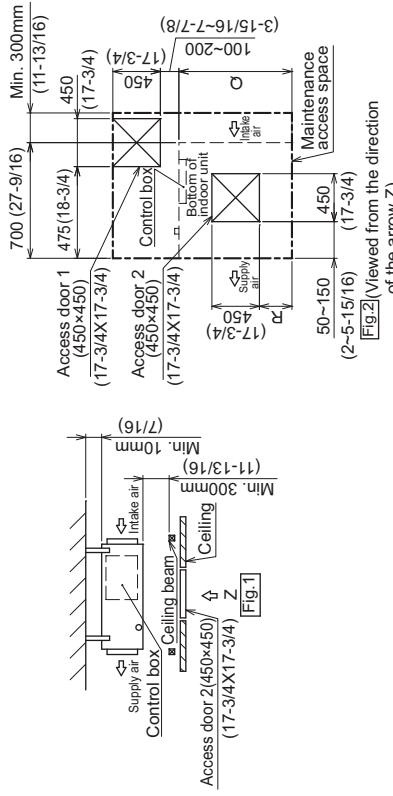
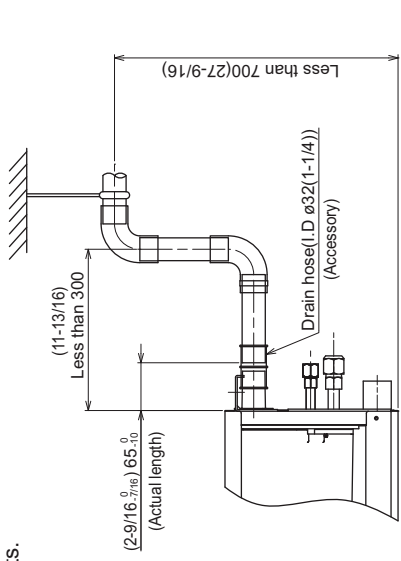


Fig.2 (Viewed from the direction of the arrow Z)

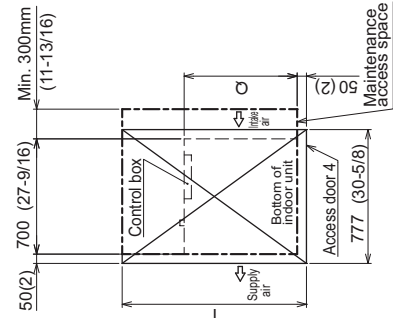


Fig.5 (Viewed from the direction of the arrow Y)

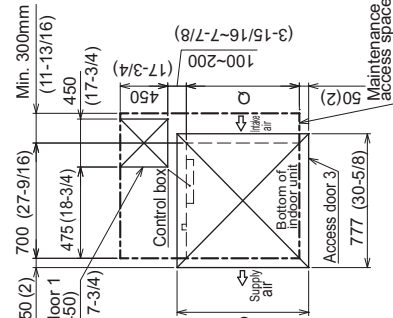


Fig.4 (Viewed from the direction of the arrow Y)

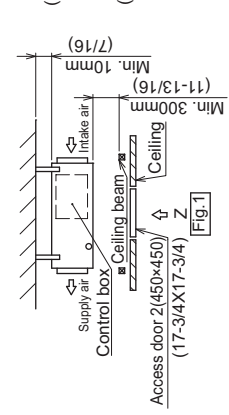


Fig.1

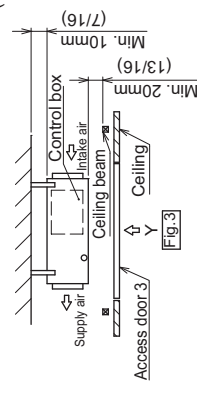
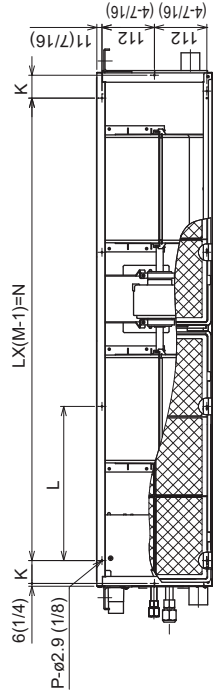


Fig.3



Model	K	L	M	N	P	Q	R	S	T
PEAD-A12, 18AA7	54 (2-3/16)	260 (10-1/4)	4 (3/32)	780 (30-3/4)	10 (3/8)	900 (35-7/16)	150-250 (5-15/16)-(9-7/8)	1000 (39-3/8)	1500 (59-1/16)
PEAD-A24, 30AA7	49 (1-15/16)	330 (13)	4 (3/16)	990 (39)	10 (3/8)	1100 (43-5/16)	250-350 (9-7/8)-(13-13/16)	1200 (47-1/4)	1700 (66-15/16)
PEAD-A36, 48AA7	54 (2-3/16)	320 (12-5/8)	5 (5/16)	1280 (50-7/16)	12 (3/4)	1400 (55-1/8)	400-500 (15-3/4)-(19-1/16)	1500 (59-1/16)	2000 (78-3/4)

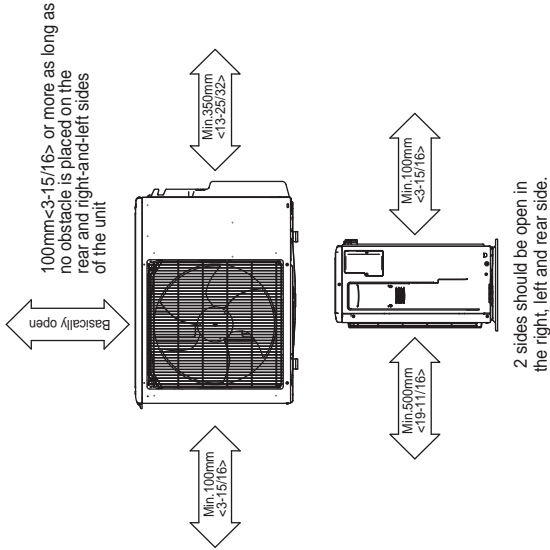
Unit:mm(in.)

Should this document be altered or changed without MESCA's permission, it becomes null and void. MESCA assumes no responsibility for any consequences in such cases.

DIMENSIONS: PUY-A12NKA7

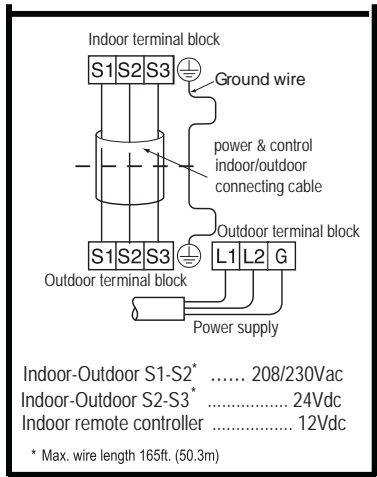
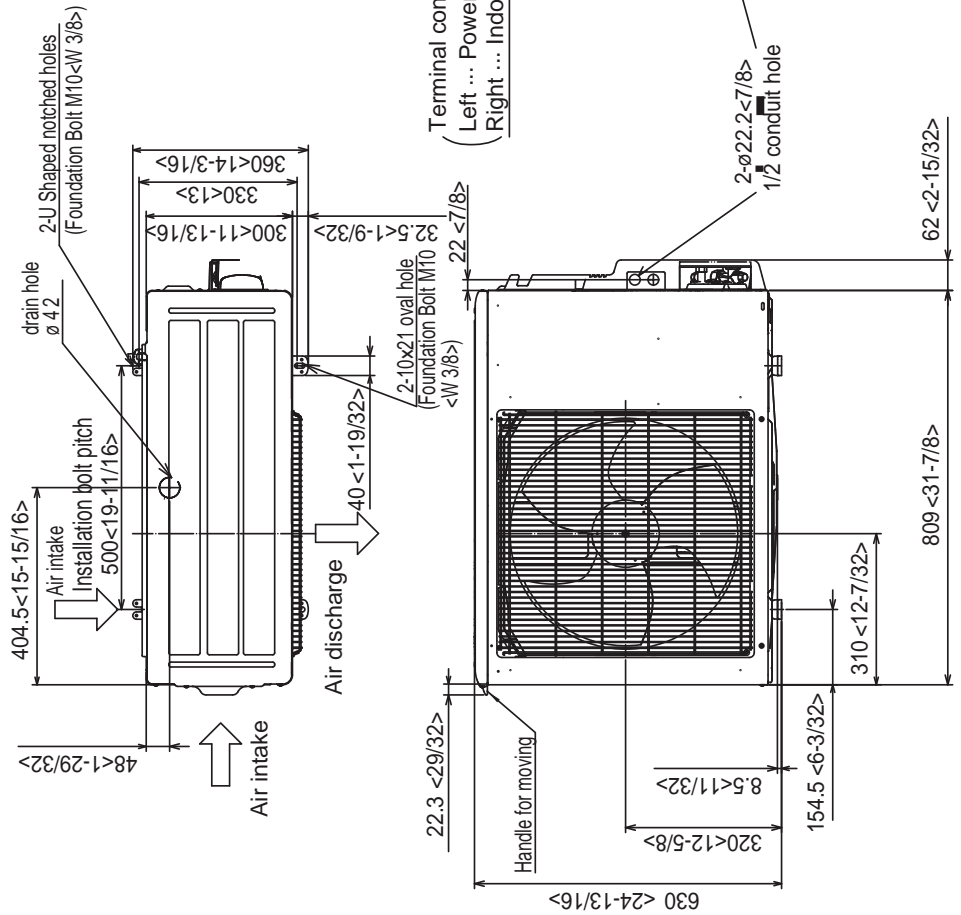
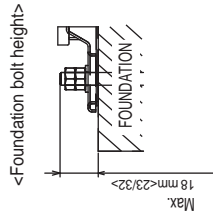
Unit: mm (in.)

Free space around the outdoor unit
(basic example)



FOUNDATION BOLTS

Please secure the unit firmly with 4 foundation (M10<W3/8>) bolts. (Bolts, washers and nut must be purchased locally).



Should this document be altered or changed without MESCA's permission, it becomes null and void. MESCA assumes no responsibility for any consequences in such cases.

