

## SUBMITTAL DATA: PEAD-A15AA(7)(8) & SUZ-KA15NAH2 15,000 BTU/H Horizontal-Ducted HEAT PUMP SYSTEM

Job Name:	Location:	Date:
Purchaser:	Engineer:	
Submitted to:	For <input type="checkbox"/> Reference <input type="checkbox"/> Approval <input type="checkbox"/> Construction	
System Designation:	Schedule No.:	



**ACCESSORIES:**

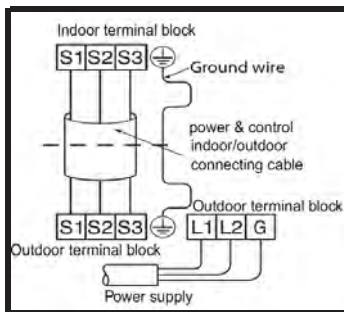
- Windscreens (ME-FR-15-17)
- External Fan/Heater Control Adapter (PAC-YU25HT-G)
- Cable connector of Remote Sensor (PAC-SA88HA-EP)\*
- \*Allows control of several units with multiple remote control display

**Optimal Controls**

- Wireless Controller (MHK2)
- Wired Remote Controller (PAR-40MAA)
- Simple MA Remote Controller (PAC-YT53CRAU-J)
- Thermostat Interface (PAC-US444CN-1)
- System Control Interface (MAC-334IF-E)
- Wireless Remote (PAR-FL32MA-E) (Requires PAR-FA32MA-E)
- Remote Temperature Sensor (PAC-SE41TS-E)

	Outdoor : D.B. 35°C(95°F), W.B. 23.9°C(75°F)	Outdoor : D.B. 8.3°C(47°F), W.B. 6.1°C(43°F)	Outdoor : D.B. -8.3°C(17°F), W.B. -9.4°C(15°F)	Outdoor intake air temperature	Outdoor : D.B. 46°C(115°F)
	Outdoor : D.B. 26.7°C(80°F), W.B. 19.4°C(67°F)	Outdoor : D.B. 21.1°C(70°F), W.B. 15.6°C(60°F)	Outdoor : D.B. 21.1°C(70°F), W.B. 15.6°C(60°F)	Outdoor intake air temperature	Outdoor : D.B. -10°C(14°F)
Operating range	Maximum	Minimum	Maximum	Minimum	Maximum
	Cooling	Cooling	Cooling	Cooling	Cooling
Operating range	Maximum	Minimum	Maximum	Minimum	Maximum
	Heating	Heating	Heating	Heating	Heating

Specifications are subject to change without notice



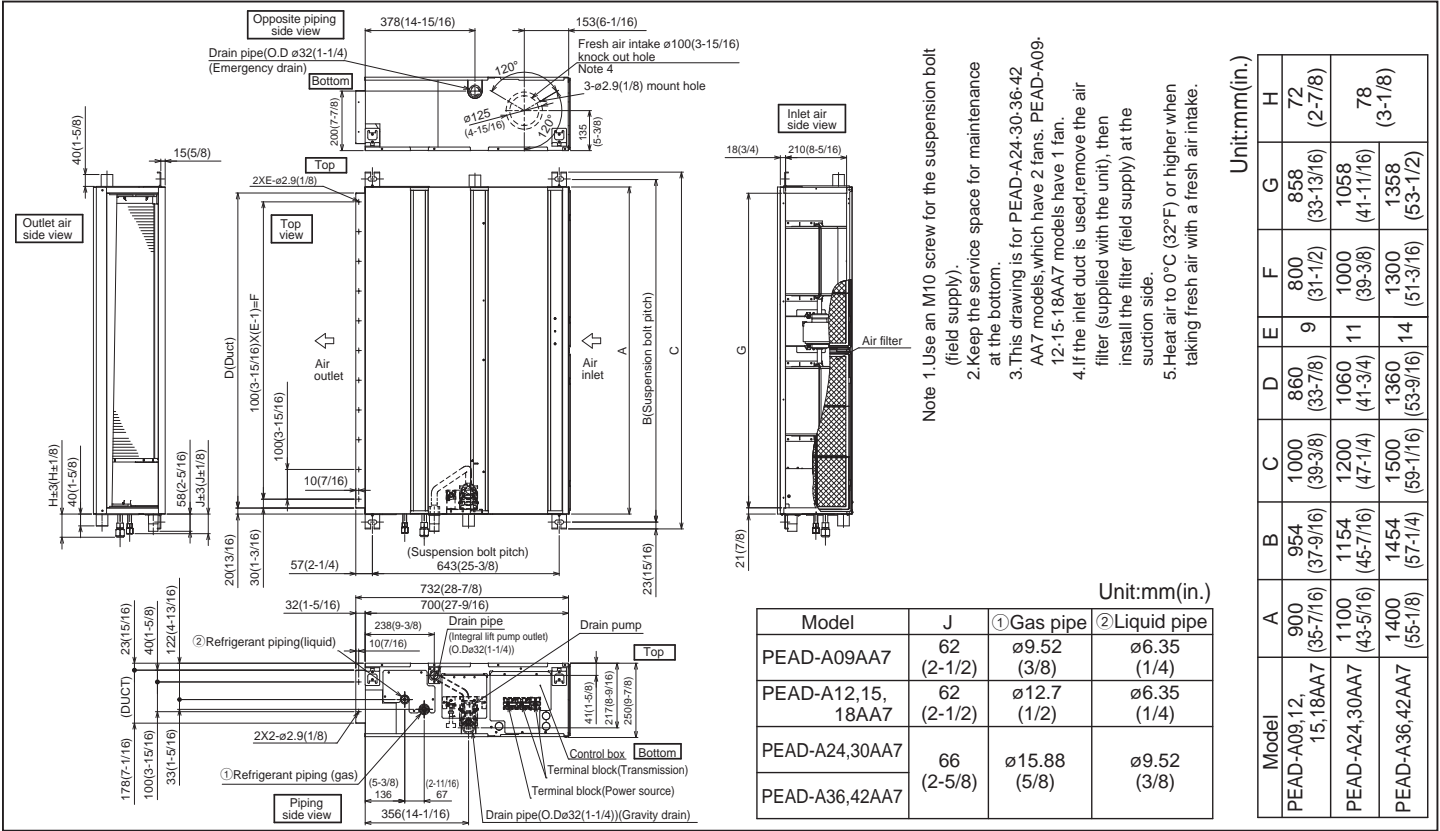
Cooling	Rated Capacity	Btu/h	15000	
	Capacity Range	Btu/h	5500-15000	
	Total input	W	1150	
	Energy Efficiency	EER	13	
	Moisture Removal	Pints/h	1.3	
	Sensible Heat Factor		0.9	
	Heating at 47°F	Rated Capacity	Btu/h	18000
Capacity Range		Btu/h	4900-21500	
Total input		W	1350	
HSPF(Region IV)		Btu/h/W	11.6(11.2)	
Heating at 17°F	Rated Capacity	Btu/h	11300	
	Rated Total input	W	1220(1350)	
	Maximum Capacity	Btu/h	11300	
	Maximum Total Input	W	1220(1350)	
Power supply	Voltage, Phase, Cycle		208/230V, 1-phase, 60Hz	
Voltage	Indoor - Outdoor S1-S2		AC 208/230V	
	Indoor - Outdoor S2-S3		DC12-24V	
	Indoor - Remote controller		DC12V	
Indoor unit	MCA (*)	A	1.69	
	Fan Motor	F.L.A	1.35	
	Fan Motor Output	W	85	
	Air flow (Lo-Mid-Hi)	DRY(CFM)		424-512-600
		WET(CFM)		382-461-540
	External Static Pressure	in WG		0.14-0.20-0.28-0.40-0.60
	Sound Pressure Level (Lo-Mid-Hi)	dB (A)		30-33-37
	External Finish Color			Galvanized Sheets
	Dimensions	W: in		35-7/16
		D: in		28-7/8
		H: in		9-7/8
Weight Unit	lbs		62	
Field Drainpipe O.D.	in		O.D. 1-1/4	
Refrigerant pipe Gas	in		1/2	
Refrigerant pipe Liquid	in		1/4	

Outdoor unit	MCA (*)	A	10	
	MOCP (*)	A	18	
	Fan Motor	F.L.A.	0.5	
	Compressor	Model(Type)		DC INVERTER-driven Twin Rotary
		R.L.A.		7.4
		L.R.A.		9.3
	Air flow (Cooling/Heating)	CFM		(1,243/1,229)
	Refrigerant Control			Linear Expansion Valve
	Defrost Method			Reverse Cycle
	SPL (Cooling)	dB (A)		49
	SPL (Heating)	dB (A)		51
External Finish Color			Munsell No.3Y 7.8/1.1	
Dimension	W: in		31-1/2	
	D: in		11-1/4	
	H: in		21-5/8	
Weight	lbs		81	
Remote Controller	Type		Wired Remote Controller	
Refrigerant	Type		R410A	
	Charge	lbs, oz	2,9	
Refrigerant Pipe	Oil	Type(Fl.oz.)	FV50S(11.8)	
	Gas side O.D.	in	1/2	
	Liquid side O.D.	in	1/4	
	Height Difference (Max)	ft		40
	Length (Max.)	ft		65
Connection Method	Indoor/Outdoor		Flared/Flared	
Operation Guarantee	Cooling	°F	14 - 115	
	Heating	°F	-4 - 75	

Note: Mitsubishi Electric (MESCA) supports the use of only MESCA supplied and approved accessories for proper functioning of the unit(s). Use of non-MESCA supported accessories will affect warranty coverage.

\*All electrical work shall comply with National (NEC) and local codes and regulations. Should this document be altered or changed without MESCA's permission, it becomes null and void. MESCA assumes no responsibility for any consequences in such cases.

# DIMENSIONS: PEAD-A15AA(7)(8) & SUZ-KA15NAH2

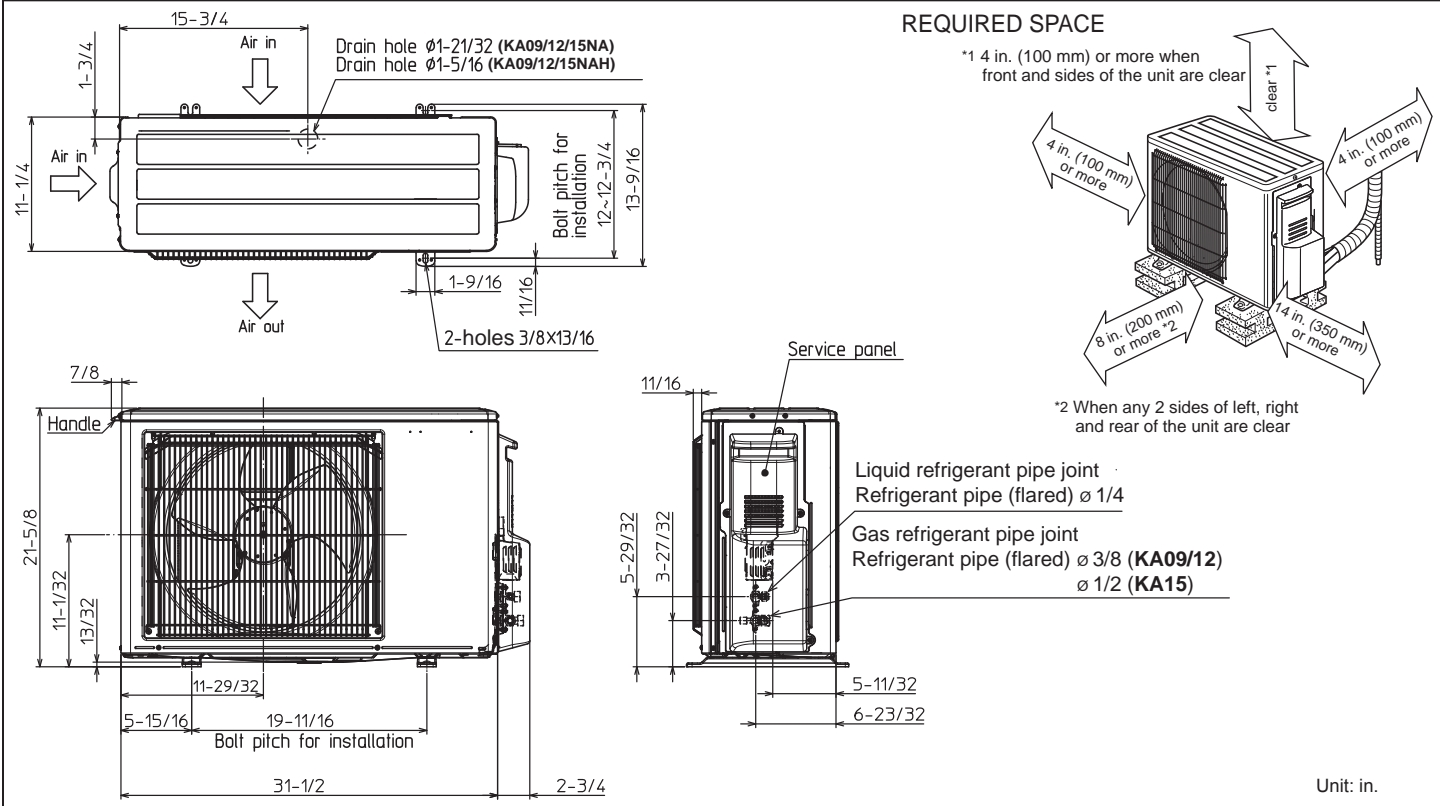


Unit:mm(in.)

Model	J	① Gas pipe	② Liquid pipe
PEAD-A09AA7	62 (2-1/2)	$\phi 9.52$ (3/8)	$\phi 6.35$ (1/4)
PEAD-A12, 15, 18AA7	62 (2-1/2)	$\phi 12.7$ (1/2)	$\phi 6.35$ (1/4)
PEAD-A24,30AA7	66 (2-5/8)	$\phi 15.88$ (5/8)	$\phi 9.52$ (3/8)
PEAD-A36,42AA7			

Unit:mm(in.)

Model	A	B	C	D	E	F	G	H
PEAD-A09, 12, 15, 18AA7	900 (35-7/16)	954 (37-9/16)	1000 (39-3/8)	860 (33-7/8)	9	800 (31-1/2)	858 (33-13/16)	72 (2-7/8)
PEAD-A24,30AA7	1100 (43-5/16)	1154 (45-7/16)	1200 (47-1/4)	1060 (41-3/4)	11	1000 (39-3/8)	1058 (41-11/16)	78 (3-1/8)
PEAD-A36,42AA7	1400 (55-1/8)	1454 (57-1/4)	1500 (59-1/16)	1360 (53-9/16)	14	1300 (51-3/16)	1358 (53-1/2)	



Should this document be altered or changed without MESCA's permission, it becomes null and void. MESCA assumes no responsibility for any consequences in such cases.

