

SUBMITTAL DATA: PKA-A18LA1-TH & PUZ-A18NKA7
18,000 BTU/H WALL-MOUNTED HEAT PUMP SYSTEM

Job Name:	Engineer:
Purchaser:	Application:
Submitted To:	For: <input type="checkbox"/> Reference <input type="checkbox"/> Approval <input type="checkbox"/> Construction
Submitted By:	Location:
System Designation:	Schedule No.:



UNIT OPTION:

Standard Model.....PUZ-A18NKA7

ACCESSORIES:

Indoor

Controls

External Heater Adaptor (PAC-YU25HT)

- Wireless Controller (MHK2)
- Advanced Wired Controller (PAR-41MAAU)
- Simple Wired Controller (PAC-YT53CRAU)
- Wireless Remote Controller (PAR-FL32MA)
- Interface Module (RMF-CA200)
- M-NET Adapter (PAC-SJ96MA-E)

Outdoor Unit

- Front Wind Guard (PFR-12-18)
- Rear Wind Guard (PRE-12-18)
- Side Wind Guard (PSD-12-18)

Note: Mitsubishi Electric (MESCA) supports the use of only MESCA supplied and approved Snow Guard / Wind Deflectors / Windscreens and accessories for proper functioning of the unit(s). Use of non-MESCA supported Snow Guard / Wind Deflectors / Windscreens and accessories will affect warranty coverage.

SPECIFICATIONS:

Rated Conditions (Capacity / Input)*		
Cooling	Btu/h / W	18,000 / 1,680
Heating at 47° F	Btu/h / W	19,000 / 1,640
Heating at 17° F	Btu/h / W	9,300 / 1,110

* Rating Conditions per AHRI Standard:
Cooling | Indoor: 80° F (27° C)DB / 67° F (19° C)WB; Outdoor: 95° F (35° C)DB / 75° F (24° C)WB
Heating at 47° F | Indoor: 70° F (21° C)DB / 60° F (16° C)WB; Outdoor: 47° F (8° C)DB / 43° F (6° C)WB
Heating at 17° F | Indoor: 70° F (21° C)DB / 60° F (16° C)WB; Outdoor: 17° F (-8° C)DB / 15° F (-9° C)WB

Capacity Range		
Cooling	Btu/h	8,000 - 18,000
Heating at 47° F	Btu/h	7,700 - 22,000

Operating Range	
Cooling	0° F** (-18° C) to 115° F (46° C) DB
Heating	12° F (-11° C) to 70° F (21° C) DB

** Windscreens required for cooling operation below 23° F (-5° C)

AHRI Efficiency Ratings	
EER2	10.7
SEER2	20.2
HSPF2 IV / V	9.2 / 7.7
COP at 47° F	3.40
COP at 17° F	2.45

Specifications are subject to change without notice.

Electrical Power Requirements	208 / 230V, 1-Phase, 60 Hz
--------------------------------------	----------------------------

Minimum Circuit Ampacity (MCA) *		Breaker Size	MOCP (Outdoor)
Indoor 1 AMP	Outdoor 11 AMP	15 AMP	28 AMP

***All electrical work shall comply with National (CEC) and local codes and regulations.**

Indoor Unit		
Fan Motor (ECM)	F.L.A.	0.19
Fan Motor Output	W	30
SHF		0.64 / 0.73**
Field Drainpipe Size O.D	in. (mm)	5/8 (16) Moisture Removal - 5.8pt./h

Outdoor Unit		
Compressor		DC INVERTER-driven Twin Rotary
Fan Motor (ECM)	F.L.A.	0.5
Fan Motor Power	W	46

Airflow Rate (Low-Mid1-Mid2-Hi)			
Indoor (Cooling)	DRY	CFM	265-310-375-450
	WET		215-255-320-375
Outdoor	DRY		1,590

Sound Pressure Level		
Indoor (Low-Mid1-Mid2-Hi)		34-39-44-48
Outdoor	Cooling	dB(A) 44
	Heating	46

External Dimensions		
Indoor (H x W x D)	In.(mm)	11-25/32 x 35-23/64 x 9-11/32 (299 x 898 x 237)
Outdoor (H x W x D)		24-13/16 x 31-13/16 + 7/16 x 11-3/16 (630 x 809 + 62 x 300)

Net Weight	
Indoor	Lbs.(kg) 28 (12.7)
Outdoor	100 (45)

External Finish	
Indoor	White Munsel No. 0.7PB 9.2/0.4
Outdoor	Ivory Munsel No. 3Y 7.8 / 1.1

Refrigerant	R410A ; 4lbs., 14oz. (2.2kg)
--------------------	------------------------------

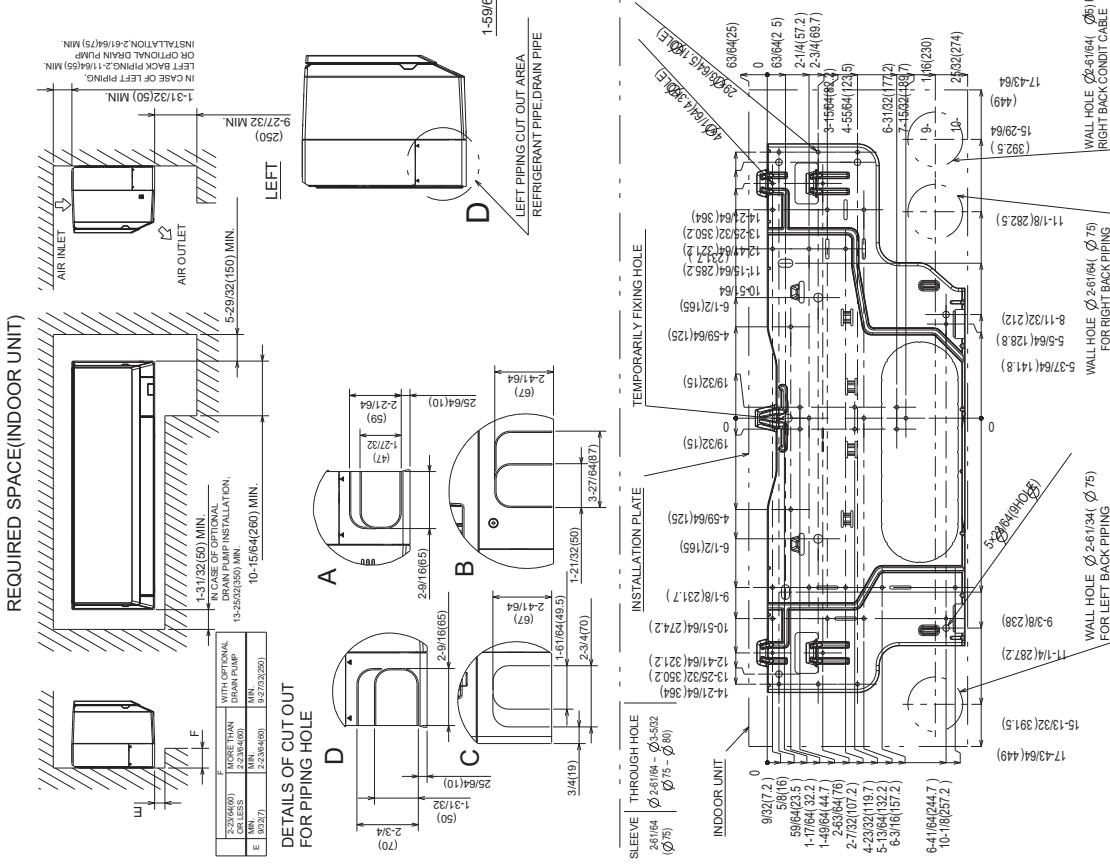
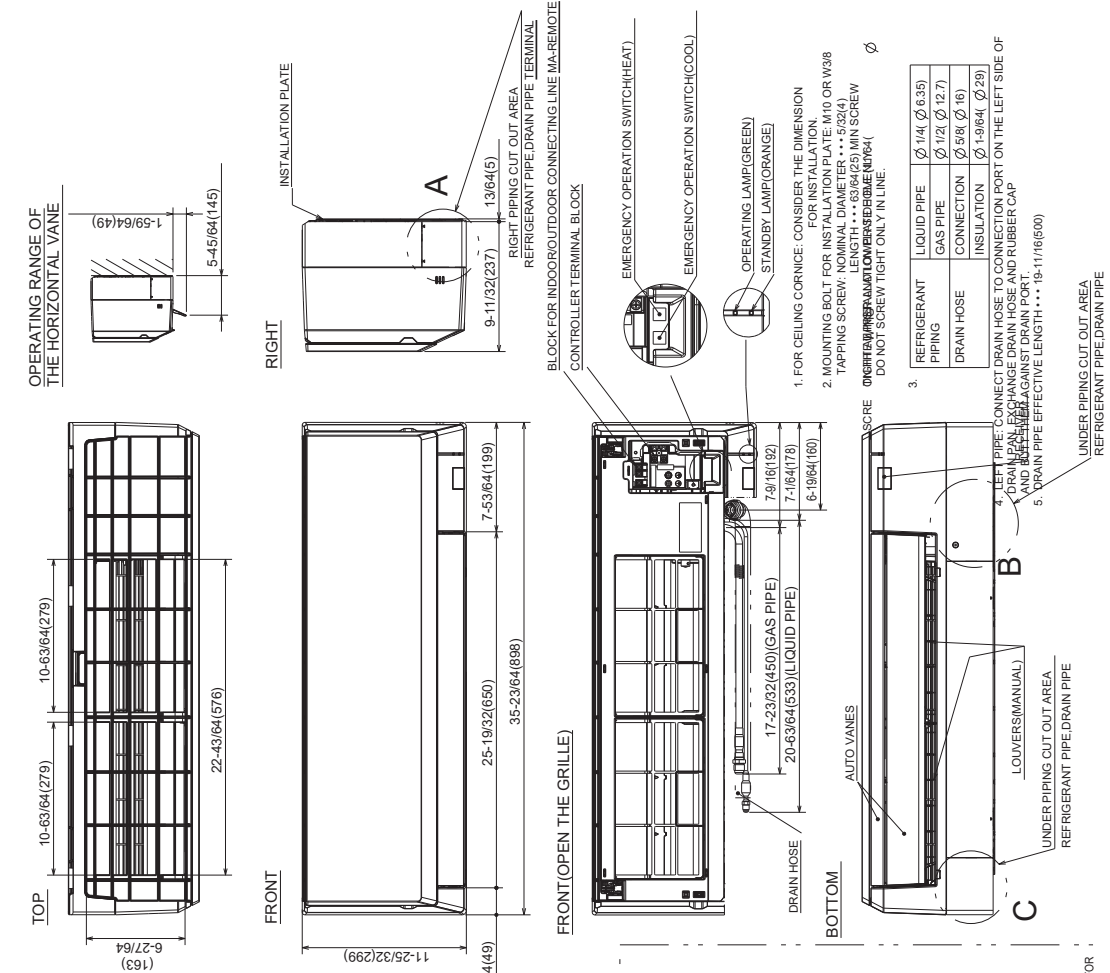
Refrigerant Piping (Flared)		
Liquid (High Pressure)	In.(mm)	1/4 (6.35)
Gas (Low Pressure)		1/2 (12.7)
Maximum Total Refrigerant Pipe Length	Ft. (m)	100 (30)
Maximum Vertical Separation	Ft. (m)	100 (30)

**Asterisk denotes performance specification based on ASHRAE / ANSI Standard 127:2012 for Data Processing and Information Technology Equipment Space Room Cooling

Should this document be altered or changed without MESCA's permission, it becomes null and void. MESCA assumes no responsibility for any consequences in such cases.

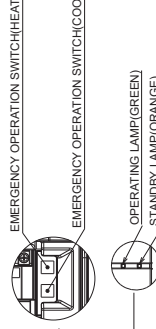
DIMENSIONS: PKA-A18LA1-TH

Unit: in. (mm)



1. FOR CEILING CORNICE: CONSIDER THE DIMENSION FOR INSTALLATION.
2. MOUNTING BOLT FOR INSTALLATION PLATE: M10 OR W38 TAPPING SCREW. NOMINAL DIAMETER: ... 5.92(14) LENGTH: ... 63/64(25) MIN SCREW DO NOT SCREW TIGHT ONLY IN LINE.
3. REFRIGERANT LIQUID PIPE Ø 1/4 (Ø 6.35) PIPING Ø 1/2 (Ø 12.7) DRAIN HOSE CONNECTION Ø 5/8 (Ø 16) INSULATION Ø 1-9/64 (Ø 23)

4. LEFT PIPE: CONNECT DRAIN HOSE TO CONNECTION PORT ON THE LEFT SIDE OF THE UNIT AND RUBBER CAP.
5. DRAIN PIPE EFFECTIVE LENGTH ... 19-11/16(500)



REQUIRED SPACE (INDOOR UNIT)

DETAILS OF CUT OUT FOR PIPING HOLE

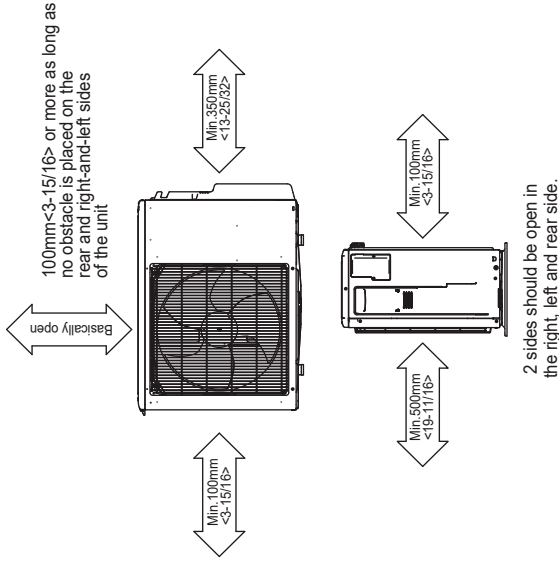
SIZE (IN)	SIZE (MM)	WITH OPTIONAL DRAIN PUMP	IN CASE OF OPTIONAL LEFT BACK PIPING 2. 1.8(45) MIN. INSTALLATION 2.61(64) (75) MIN.	
			E	F
24.5(50)	238(60)	MIN.	2.59(65)	1.27(32)
26.0(65)	250(65)	MIN.	2.59(65)	1.27(32)
27.5(70)	260(65)	MIN.	2.59(65)	1.27(32)

Should this document be altered or changed without MESCA's permission, it becomes null and void. MESCA assumes no responsibility for any consequences in such cases.

DIMENSIONS: PUZ-A18NKA7

Unit: mm (in.)

Free space around the outdoor unit
(basic example)



FOUNDATION BOLTS

Please secure the unit firmly with 4 foundation (M10<W3/8>) bolts. (Bolts, washers and nut must be purchased locally).

