

SUBMITTAL DATA: PLA-A18EA8 & PUZ-A18NKA7
18,000 BTU/H CEILING CASSETTE HEAT PUMP SYSTEM

Job Name:	Engineer:
Purchaser:	Application:
Submitted To:	For: <input type="checkbox"/> Reference <input type="checkbox"/> Approval <input type="checkbox"/> Construction
Submitted By:	Location:
System Designation:	Schedule No.:



ACCESSORIES:

Indoor Unit

Multifunction Casement / High Efficiency Filter (PAC-SJ41TM-E / PAC-SH59KF-E)
Grille with 3D i-see Sensor™ (PLP-41EAEU) - (Required ordered separately)
External Heater Adaptor (PAC-SE56RA-E)

Optional Controls

Wireless Controller (MHK2)
Advanced Wired Controller (PAR-41MAA)
Simple Wired Controller (PAC-YT53CRA)
Interface Module (RMF-CA200)
Wireless Remote Controller (PAR-FL32MA)(Requires Signal Receiver (PAR-SR4LU-E))
M-NET Adapter (PAC-SJ96MA-E)

Outdoor Unit

Front Wind Guard (PFR-12-18)
Side Wind Guard (PSD-12-18) Rear Wind Guard (PRE-12-18)

Note: Mitsubishi Electric (MESCA) supports the use of only MESCA supplied and approved Snow Guard / Wind Deflectors / Windscreens and accessories for proper functioning of the unit(s). Use of non-MESCA supported Snow Guard / Wind Deflectors / Windscreens and accessories will affect warranty coverage.

SPECIFICATIONS:

Rated Conditions (Capacity / Input)*		
Cooling	Btu/h / W	18,000 / 1,250
Heating at 47°F	Btu/h / W	19,000 / 1,300
Heating at 17°F	Btu/h / W	11,000 / 1,300

* Rating Conditions per AHRI Standard:
Cooling | Indoor: 80°F (27°C) DB / 67°F (19°C) WB; Outdoor: 95°F (35°C) DB / 75°F (24°C) WB
Heating at 47°F | Indoor: 70°F (21°C) DB / 60°F (16°C) WB; Outdoor: 47°F (8°C) DB / 43°F (6°C) WB
Heating at 17°F | Indoor: 70°F (21°C) DB / 60°F (16°C) WB; Outdoor: 17°F (-8°C) DB / 15°F (-9°C) WB

Capacity Range		
Cooling	Btu/h	8,000 - 18,000
Heating at 47°F	Btu/h	7,900 - 23,000

Operating Range	
Cooling	0°F** (-18°C) to 115°F (46°C) DB
Heating	12°F (-11°C) to 70°F (21°C) DB

** Windscreens required for cooling operation below 23°F (-5°C)

AHRI Efficiency Ratings	
EER2	14.4
SEER2	25.0
HSPF2 IV / V	9.2 / 7.0
COP at 47° F	4.28
COP at 17° F	2.47

Specifications are subject to change without notice.

Electrical Power Requirements	208 / 230V, 1-Phase, 60 Hz
-------------------------------	----------------------------

Minimum Circuit Ampacity (MCA) *	Breaker Size	MOCP (Outdoor)
Indoor 1 AMP	Outdoor 11 AMP	15 AMP
		28 AMP

***All electrical work shall comply with National (CEC) and local codes and regulations.**

Indoor Unit		
Fan Motor (ECM)	F.L.A.	0.34
Fan Motor Output	W	50
SHF / Moisture Removal		0.85 / 2.4 pt./h
Drain Lift Mechanism (Included)	H: In.	33-7/16
Field Drainpipe Size O.D	in. (mm)	1-1/4 (32)

Outdoor Unit		
Compressor		DC INVERTER-driven Twin Rotary
Fan Motor (ECM)	F.L.A.	0.5
Fan Motor Power	W	46

Airflow Rate (Low-M1-M2-Hi)			
Indoor (Cooling)	DRY	CFM	460-490-570-600
	WET		380-420-530-560
Outdoor	DRY		1,590

Sound Pressure Level			
Indoor (Low-M1-M2-Hi)	dB(A)	28-29-31-32	
		Outdoor	Cooling
Heating	46		

External Dimensions		
Indoor (H x W x D)	In.(mm)	10-3/16 [1-9/16] x 33-1/16 [37-13/32] x 33-1/16 [37-13/32]
Grille (H x W x D)		(258 [40] x 840 [950] x 840 [950])
Outdoor (H x W x D)		24-13/16 x 31-13/16 + 7/16 x 11-3/16 (630 x 809 + 62 x 300)

Net Weight		
Indoor (Unit / Grille)	Lbs.(kg)	46 / 11 (21 / 5)
Outdoor		100 (45)

External Finish	
Indoor	Munsell 1.0Y 9.2/0.2
Outdoor	Ivory Munsell No. 3Y 7.8 / 1.1

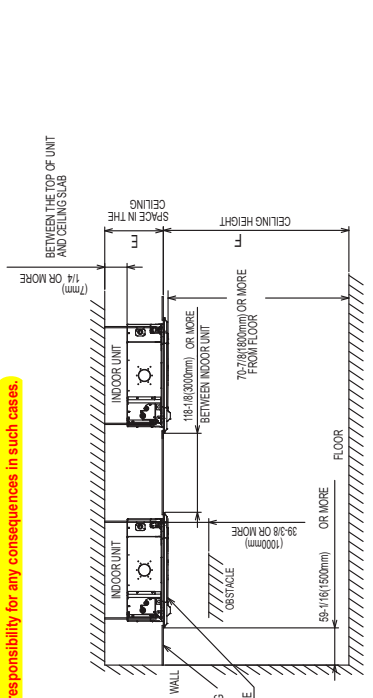
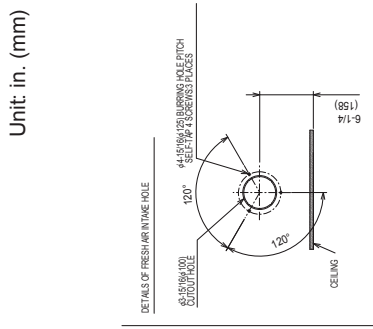
Refrigerant	R410A ; 4lbs., 14oz. (2.2kg)
-------------	------------------------------

Refrigerant Piping (Flared)		
Liquid (High Pressure)	In.(mm)	1/4 (6.35)
Gas (Low Pressure)		1/2 (12.7)
Maximum Total Refrigerant Pipe Length	Fl. (m)	100 (30)
Maximum Vertical Separation	Fl. (m)	100 (30)

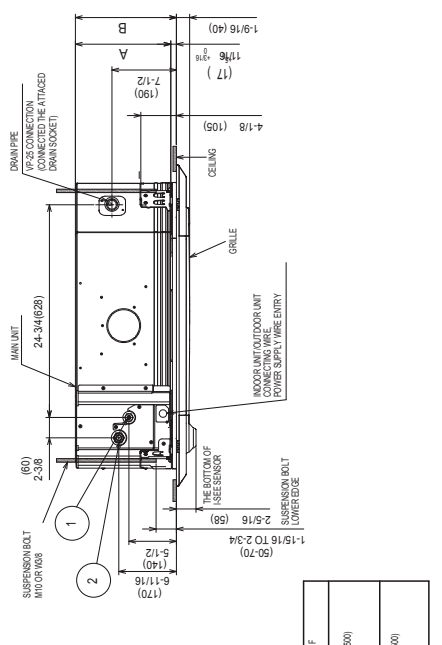
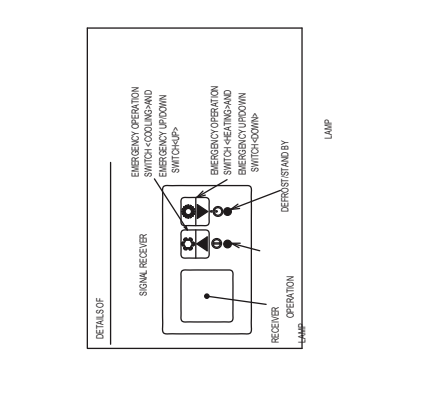
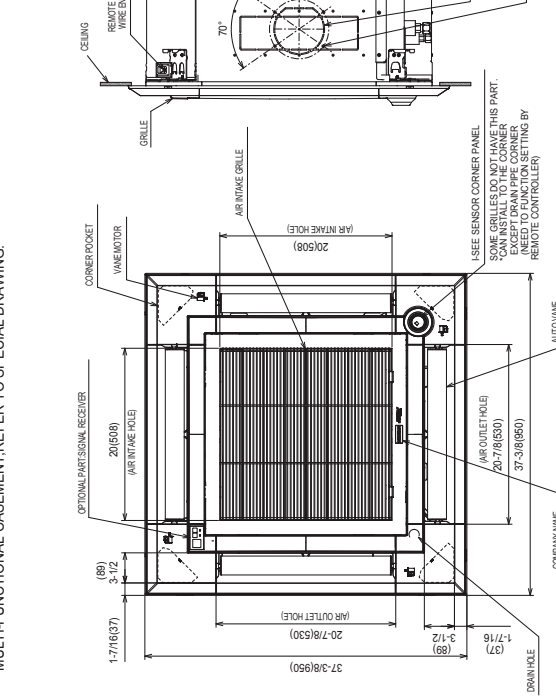
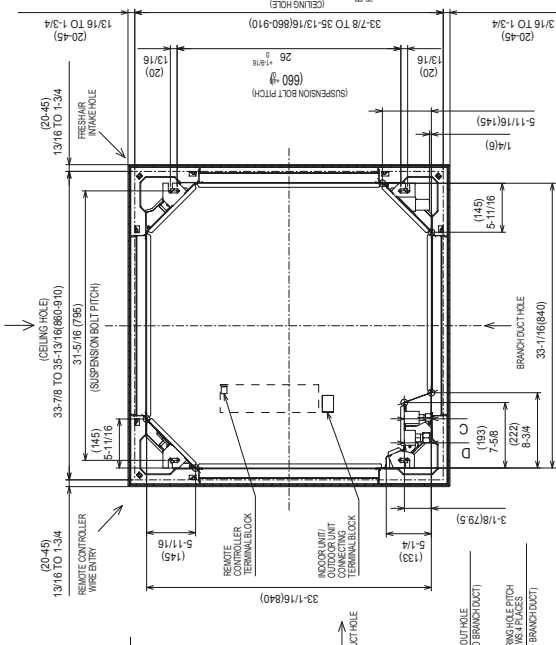
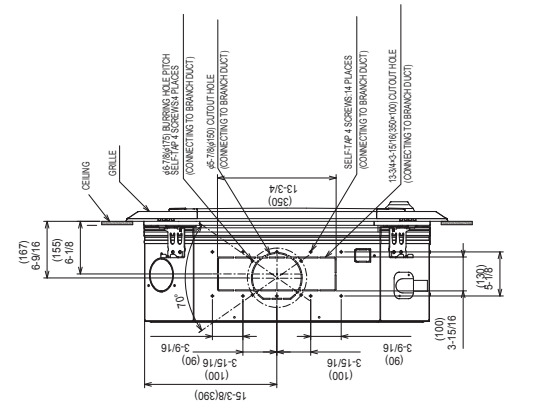
Should this document be altered or changed without MESCA's permission, it becomes null and void. MESCA assumes no responsibility for any consequences in such cases.

DIMENSIONS: PLA-A18EA8

Unit: in. (mm)



- NOTE1. CHOOSE THE GRILLE AMONG THE DEDICATED GRILLES.
 2. REINFORCE THE SUSPENSION BOLT FOR EARTHQUAKE-RESISTANCE AS NEEDED.
 3. FOR THE SUSPENSION BOLT, USE M10 OR M8. (PROCURED AT THE LOCAL SITE.)
 4. FOR DRAIN PIPE, USE VP-25(O.D. n-1/4" (φ 32) PVC TUBE). DRAIN PUMP INCLUSION. RAISE IS MAX 33-716 (850mm) FROM THE CEILING.
 5. ELECTRICAL BOX MAY BE REMOVED FOR THE SERVICE PURPOSE.
- MAKE SURE TO SLACK THE ELECTRICAL WIRE LITTLE BIT FOR CONTROL/POWER WIRES CONNECTION.
6. THE HEIGHT OF THE INDOOR UNIT IS ABLE TO BE ADJUSTED WITH THE GRILLE ATTACHED.
 7. REQUIRES "E" OR MORE SPACE BETWEEN TRANSOM AND CEILING FOR THE INSTALLATION.
 8. WHEN INSTALLING THE BRANCH DUCTS, BE SURE TO INSULATE ADEQUATELY.
 9. OTHERWISE CONDENSATION AND DRIPPING MAY OCCUR (IT BECOMES THE CAUSE OF DROPLET OR DRIPLET DRIPPING.)
 10. FOR NECESSARY INSTALLATION/SERVICE SPACE, PLEASE REFER TO THE RIGHT AT FIGURE.
 11. FOR THE INSTALLATION OF THE OPTIONAL HIGH EFFICIENCY FILTER OR MULTI-FUNCTIONAL CASEMENT, REFER TO SPECIAL DRAWING.



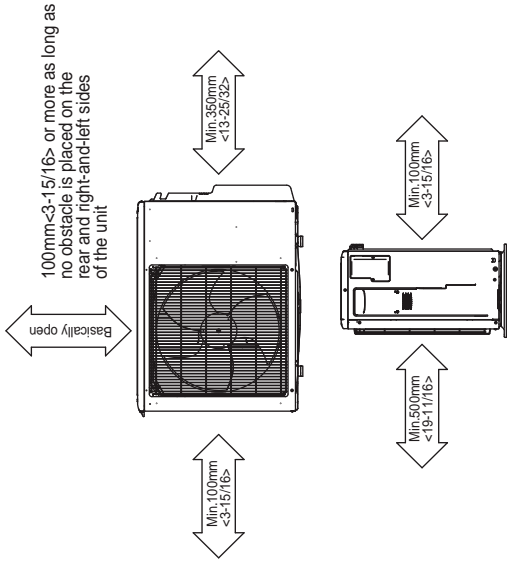
MODELS	①	②	A	B	C	D	E	F
PLA-A12/18EA8	REFRIGERANT PIPES FLARED CONNECTION 1/4"	REFRIGERANT PIPES FLARED CONNECTION 1/4"	9-1/2 (241)	10-3/16 (258)	3(76)	3(76)	10-7/16 (265) OR MORE	13-13/16 (330) OR LESS
PLA-A24-42EA8	REFRIGERANT PIPES FLARED CONNECTION 3/8"	REFRIGERANT PIPES FLARED CONNECTION 3/8"	11-1/16 (281)	11-3/4 (298)	3(76)	3(76)	12-3/8 (313) OR MORE	17-3/16 (430) OR LESS

DIMENSIONS: PUZ-A18NKA8

Should this document be altered or changed without MESCA's permission, it becomes null and void. MESCA assumes no responsibility for any consequences in such cases.

Unit: mm (in.)

Free space around the outdoor unit
(basic example)



FOUNDATION BOLTS

Please secure the unit firmly with 4 foundation (M10<math><W3/8></math>) bolts. (Bolts, washers and nut must be purchased locally).

