

**SUBMITTAL DATA: PLA-A30EA7R1-TH & PUY-A30NHA7**  
30,000 BTU/H CEILING CASSETTE AIR-CONDITIONING SYSTEM

Job Name:	Engineer:
Purchaser:	Application:    Std. Cooling            Ultra Low Ambient Cooling
Submitted To:	For: <input type="checkbox"/> Reference <input type="checkbox"/> Approval <input type="checkbox"/> Construction
Submitted By:	Location:
System Designation:	Schedule No.:



**ACCESSORIES:**

**Indoor Unit**

Multifunction Casement / High Efficiency Filter (PAC-SJ41TM-E / PAC-SH59KF-E)  
Grille with 3D i-see Sensor™ (PLP-41EAEU) - (Required ordered separately)

**Optional Controls**

- Wireless Controller (MHK1)
- Advanced Wired Controller (PAR-40MAA)
- Simple Wired Controller (PAC-YT53CRA)
- Thermostat Interface (PAC-US444CN)
- Wireless Remote Controller (PAR-FL32MA)(Requires Signal Receiver (PAR-SR4LU-E))
- M-NET Adapter (PAC-SJ95MA-E)

**Outdoor Unit**

- Front Wind Guard (PFR-24-30)
- Rear Wind Guard (PRE-24-30)
- Side Wind Guard (PSD-24-30)

**Note: Mitsubishi Electric (MESCA) supports the use of only MESCA supplied and approved Snow Guard / Wind Deflectors / Windscreens and accessories for proper functioning of the unit(s). Use of non-MESCA supported Snow Guard / Wind Deflectors / Windscreens and accessories will affect warranty coverage.**

**SPECIFICATIONS:**

Rated Conditions (Capacity / Input)*		
Cooling	BTU/h / W	30,000 / 2,540

\* Rating Conditions per AHRI Standard:  
Cooling | Indoor: 80°F (27°C) DB / 67°F (19°C) WB  
Cooling | Outdoor: 95°F (35°C) DB / 75°F (24°C) WB

Capacity Range		
Cooling	BTU/h	9,000 - 30,000

Operating Range		
Cooling		-40F** (-40.0°C) to 115°F (46°C) DB

\*\* Windscreens required for cooling operation below 23°F (-5°C)

AHRI Efficiency Rating	
EER	11.8
SEER	22.8

Electrical Power Requirements	
	208 / 230V, 1-Phase, 60 Hz

Minimum Circuit Ampacity (MCA) *		Breaker Size	MOCP (Outdoor)
Indoor 1 AMP	Outdoor 19 AMP	25 AMP	26 AMP

**\*All electrical work shall comply with National (CEC) and local codes and regulations.**

Indoor Unit		
Fan Motor (ECM)	F.L.A.	0.59
Fan Motor Output	W	120
SHF / Moisture Removal		0.80 / 5.4 pt./h
Drain Lift Mechanism (Included)	H: In.	33-7/16
Field Drainpipe Size O.D.	In.(mm)	1-1/4 (32)

Outdoor Unit		
Compressor		DC INVERTER-driven Twin Rotary
Fan Motor (ECM)	F.L.A.	0.4
Fan Motor Power	W	86

Airflow Rate (Low-M1-M2-Hi)			
Indoor (Cooling)	DRY	CFM	570-670-780-880
	WET		530-630-740-840
Outdoor	DRY		1,940

Sound Pressure Level		
Indoor (Low-M1-M2-Hi)	dB(A)	28-32-35-38
Outdoor    Cooling		47

External Dimensions			
Indoor (H x W x D)	In.(mm)	11-3/4 [1-9/16] x 33-1/16 [37-13/32] x 33-1/16 [37-13/32]	
Grille ([H x W x D])		(298 [40] x 840 [950] x 840 [950])	
Outdoor (H x W x D)		37-1/8 x 37-13/32 x 13 + 1-3/16 (943 x 950 x 330 + 30)	

Net Weight		
Indoor (Unit / Grille)	Lbs.(kg)	56 / 11 (25 / 5)
Outdoor		151 (68)

External Finish	
Indoor	Munsell 1.0Y 9.2/0.2
Outdoor	Ivory Munsell No. 3Y 7.8 / 1.1

Refrigerant	R410A ; 7lbs., 11oz. (3.5kg)
-------------	------------------------------

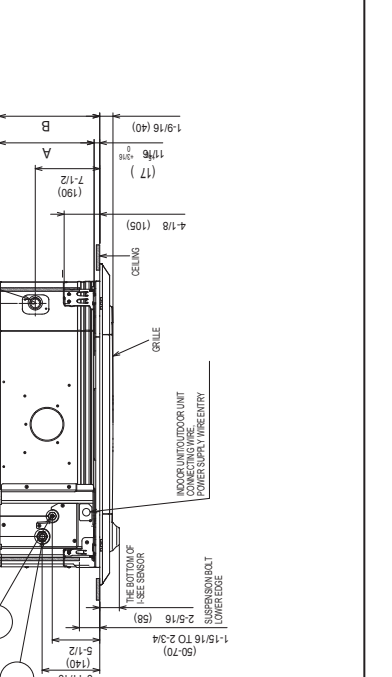
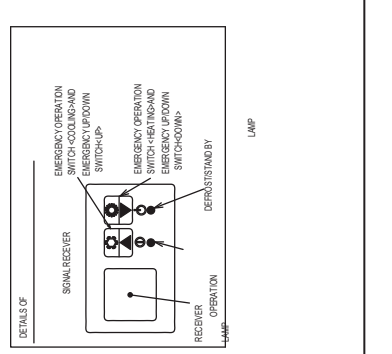
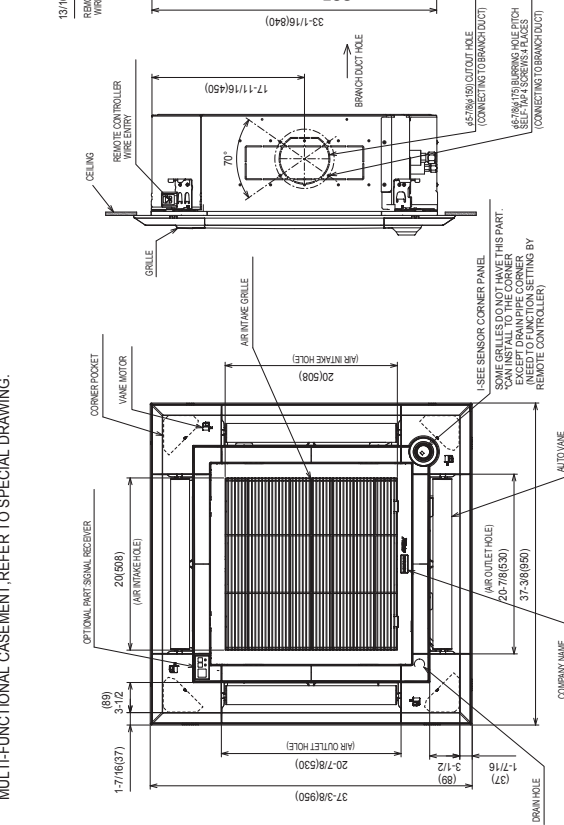
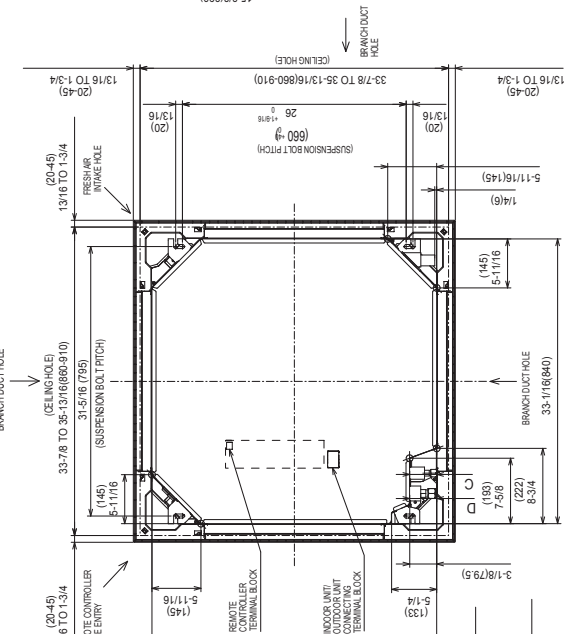
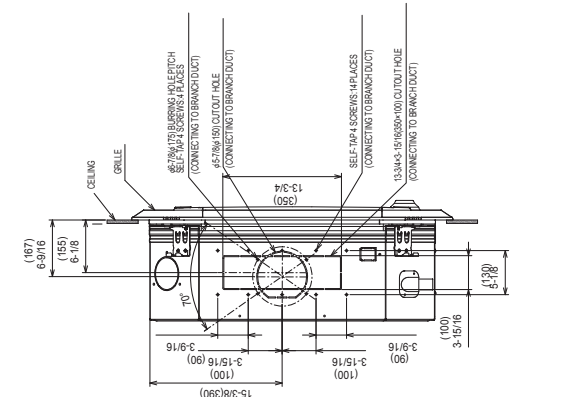
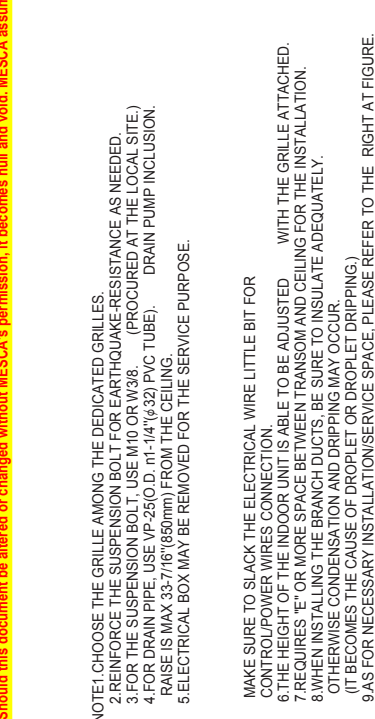
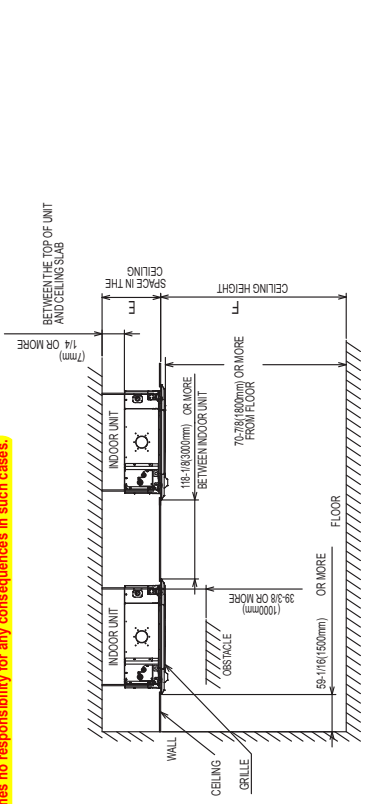
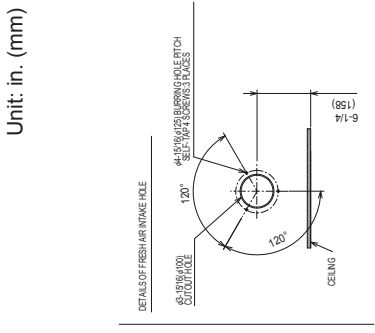
Refrigerant Piping (Flared)		
Liquid (High Pressure)	In.(mm)	3/8 (9.52)
Gas (Low Pressure)		5/8 (15.88)
Maximum Total Refrigerant Pipe Length	Fl. (m)	225 (69)
Maximum Vertical Separation	Fl. (m)	100 (30)

Specifications are subject to change without notice.

Should this document be altered or changed without MESCA's permission, it becomes null and void. MESCA assumes no responsibility for any consequences in such cases.

# DIMENSIONS: PLA-A30EA7R1-TH

Unit: in. (mm)

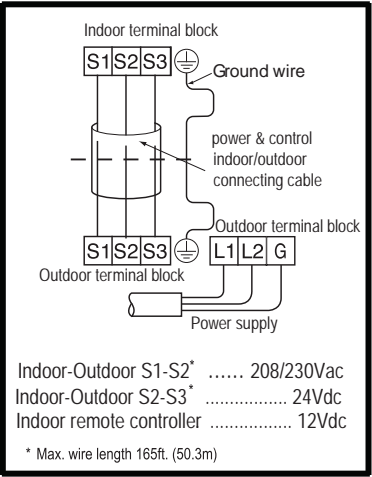
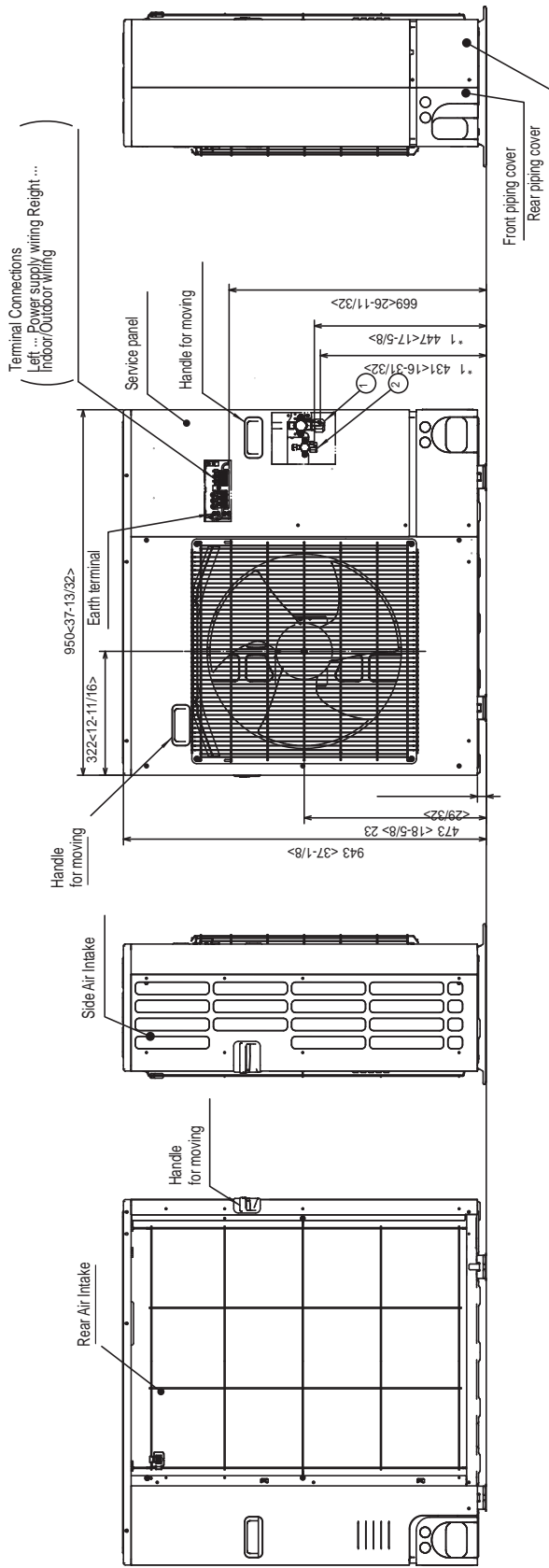
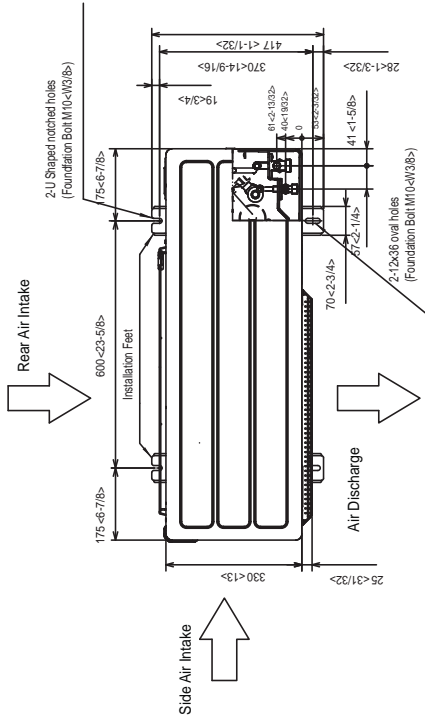


MODELS	A	B	C	D	E	F
PLA-A12/18EA7	9-1/2 (241)	10-3/16 (268)	3/16 (5)	10-7/16 (268) OR MORE	10-7/16 (268) OR MORE	10-7/16 (268) OR LESS
PLA-A24~42EA7	11-1/8 (281)	11-3/4 (298)	3-1/8 (79.5)	12-3/8 (320) OR MORE	12-3/8 (320) OR MORE	11-7/8 (300) OR LESS

Specifications are subject to change without notice.

# DIMENSIONS: PUY-A30NHA7

Unit: mm (in.)



Should this document be altered or changed without MESCA's permission, it becomes null and void. MESCA assumes no responsibility for any consequences in such cases.

