

SUBMITTAL DATA: PLA-A30EA8 & PUZ-A30NHA7
30,000 BTU/H CEILING CASSETTE HEAT PUMP SYSTEM

| | |
|---------------------|---|
| Job Name: | Engineer: |
| Purchaser: | Application: |
| Submitted To: | For: <input type="checkbox"/> Reference <input type="checkbox"/> Approval <input type="checkbox"/> Construction |
| Submitted By: | Location: |
| System Designation: | Schedule No.: |



ACCESSORIES:

Indoor Unit

- Multifunction Casement / High Efficiency Filter (PAC-SJ41TM-E / PAC-SH59KF-E)
- Grille with 3D i-see Sensor™ (PLP-41EAEU) - (Required ordered separately)
- External Heater Adaptor (PAC-SE56RA-E)

Optional Controls

- Wireless Controller (MHK2)
- Advanced Wired Controller (PAR-41MAA)
- Simple Wired Controller (PAC-YT53CRA)
- Interface Module (RMF-CA200)
- Wireless Remote Controller (PAR-FL32MA)(Requires Signal Receiver (PAR-SR4LU-E))
- M-NET Adapter (PAC-SJ95MA-E)

Outdoor Unit

- Front Wind Guard (PFR-12-18)
- Side Wind Guard (PSD-12-18) Rear Wind Guard (PRE-12-18)

Note: Mitsubishi Electric (MESCA) supports the use of only MESCA supplied and approved Snow Guard / Wind Deflectors / Windscreens and accessories for proper functioning of the unit(s). Use of non-MESCA supported Snow Guard / Wind Deflectors / Windscreens and accessories will affect warranty coverage.

SPECIFICATIONS:

| Rated Conditions (Capacity / Input)* | | |
|--------------------------------------|-----------|----------------|
| Cooling | Btu/h / W | 30,000 / 2,540 |
| Heating at 47°F | Btu/h / W | 32,000 / 2,400 |
| Heating at 17°F | Btu/h / W | 18,100 / 1,800 |

* Rating Conditions per AHRI Standard:
Cooling | Indoor: 80°F (27°C) DB / 67°F (19°C) WB; Outdoor: 95°F (35°C) DB / 75°F (24°C) WB
Heating at 47°F | Indoor: 70°F (21°C) DB / 60°F (16°C) WB; Outdoor: 47°F (8°C) DB / 43°F (6°C) WB
Heating at 17°F | Indoor: 70°F (21°C) DB / 60°F (16°C) WB; Outdoor: 17°F (-8°C) DB / 15°F (-9°C) WB

| Capacity Range | | |
|-----------------|-------|----------------|
| Cooling | Btu/h | 9,000 - 30,000 |
| Heating at 47°F | Btu/h | 9,000 - 33,000 |

| Operating Range | |
|-----------------|----------------------------------|
| Cooling | 0°F** (-18°C) to 115°F (46°C) DB |
| Heating | -4°F (-20°C) to 70°F (21°C) DB |

** Windscreens required for cooling operation below 23°F (-5°C)

| AHRI Efficiency Ratings | |
|-------------------------|-----------|
| EER2 | 11.8 |
| SEER2 | 23.4 |
| HSPF2 IV / V | 9.5 / 7.6 |
| COP at 47° F | 3.90 |
| COP at 17° F | 2.82 |

| | |
|-------------------------------|----------------------------|
| Electrical Power Requirements | 208 / 230V, 1-Phase, 60 Hz |
|-------------------------------|----------------------------|

| Minimum Circuit Ampacity (MCA) * | Breaker Size | MOCP (Outdoor) |
|----------------------------------|----------------|----------------|
| Indoor 1 AMP | Outdoor 19 AMP | 25 AMP |
| | | 26 AMP |

***All electrical work shall comply with National (CEC) and local codes and regulations.**

| Indoor Unit | | |
|---------------------------------|----------|------------------|
| Fan Motor (ECM) | F.L.A. | 0.59 |
| Fan Motor Output | W | 120 |
| SHF / Moisture Removal | | 0.80 / 5.4 pt./h |
| Drain Lift Mechanism (Included) | H: In. | 33-7/16 |
| Field Drainpipe Size O.D | in. (mm) | 1-1/4 (32) |

| Outdoor Unit | | |
|-----------------|--------|--------------------------------|
| Compressor | | DC INVERTER-driven Twin Rotary |
| Fan Motor (ECM) | F.L.A. | 0.4 |
| Fan Motor Power | W | 86 |

| Airflow Rate (Low-M1-M2-Hi) | | | |
|-----------------------------|-----|-----|-----------------|
| Indoor (Cooling) | DRY | CFM | 570-670-780-880 |
| | WET | | 530-630-740-840 |
| Outdoor | DRY | | 1,940 |

| Sound Pressure Level | | | |
|-----------------------|---------|-------------|----|
| Indoor (Low-M1-M2-Hi) | | 28-32-35-38 | |
| Outdoor | Cooling | dB(A) | 47 |
| | Heating | | 48 |

| External Dimensions | | |
|----------------------|---------|---|
| Indoor (H x W x D) | In.(mm) | 11-3/4 [1-9/16] x 33-1/16 [37-13/32] x 33-1/16 [37-13/32] |
| Grille ([H x W x D]) | | (298 [40] x 840 [950] x 840 [950]) |
| Outdoor (H x W x D) | | 37-1/8 x 37-13/32 x 13 + 1-3/16 (943 x 950 x 330 + 30) |

| Net Weight | | |
|------------------------|----------|------------------|
| Indoor (Unit / Grille) | Lbs.(kg) | 56 / 11 (25 / 5) |
| Outdoor | | 153 (69) |

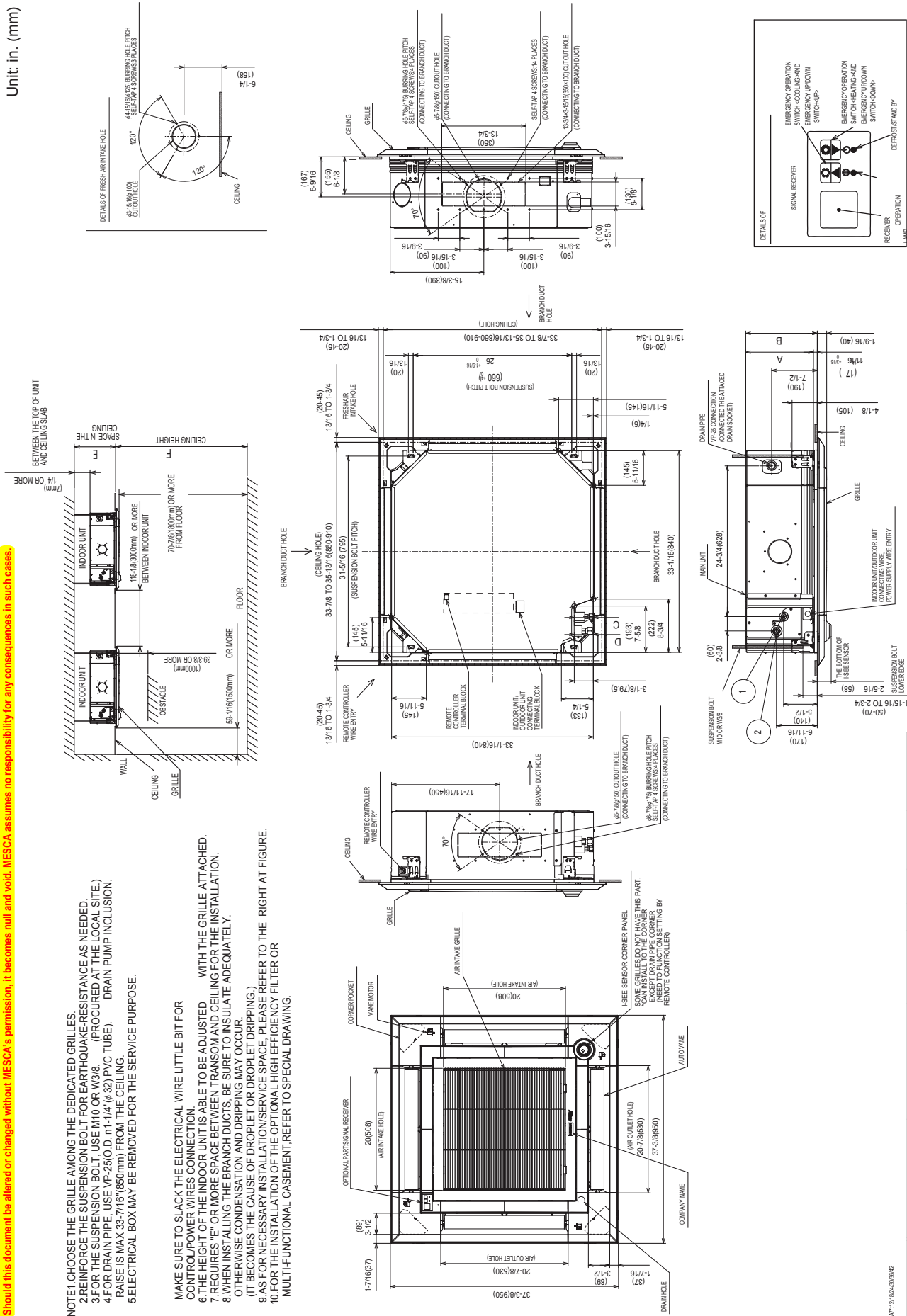
| External Finish | |
|-----------------|--------------------------------|
| Indoor | Munsell 1.0Y 9.2/0.2 |
| Outdoor | Ivory Munsell No. 3Y 7.8 / 1.1 |

| | |
|-------------|------------------------------|
| Refrigerant | R410A ; 7lbs., 11oz. (3.5kg) |
|-------------|------------------------------|

| Refrigerant Piping (Flared) | | |
|---------------------------------------|---------|-------------|
| Liquid (High Pressure) | In.(mm) | 3/8 (9.52) |
| Gas (Low Pressure) | | 5/8 (15.88) |
| Maximum Total Refrigerant Pipe Length | Fl. (m) | 165 (50) |
| Maximum Vertical Separation | Fl. (m) | 100 (30) |

DIMENSIONS: PLA-A30EA8

Unit: in. (mm)



This document be altered or changed without MESCA's permission, it becomes null and void. MESCA assumes no responsibility for any consequences in such cases.

- NOTE1. CHOOSE THE GRILLE AMONG THE DEDICATED GRILLES.
2. REINFORCE THE SUSPENSION BOLT FOR EARTHQUAKE-RESISTANCE AS NEEDED.
3. FOR THE SUSPENSION BOLT, USE M10 OR M8. (PROCURED AT THE LOCAL SITE.)
4. FOR DRAIN PIPE, USE VP-25 (D. ϕ 1-1/4 (32) PVC TUBE). DRAIN PUMP INCLUSION. RAISE IS MAX 33-7/16 (860mm) FROM THE CEILING.
5. ELECTRICAL BOX MAY BE REMOVED FOR THE SERVICE PURPOSE.

- MAKE SURE TO SLACK THE ELECTRICAL WIRE LITTLE BIT FOR CONTROL/POWER WIRES CONNECTION.
6. THE HEIGHT OF THE INDOOR UNIT IS ABLE TO BE ADJUSTED WITH THE GRILLE ATTACHED.
7. REQUIRES "E" OR MORE SPACE BETWEEN TRANSOM AND CEILING FOR THE INSTALLATION.
8. WHEN INSTALLING THE BRANCH DUCTS, BE SURE TO INSULATE ADEQUATELY.
9. OTHERWISE CONDENSATION AND DRIPPING MAY OCCUR (IT BECOMES THE CAUSE OF DROPLET OR DRIPLET DRIPPING.)
10. FOR NECESSARY INSTALLATION/SERVICE SPACE, PLEASE REFER TO THE RIGHT AT FIGURE.
11. FOR THE INSTALLATION OF THE OPTIONAL HIGH EFFICIENCY FILTER OR MULTI-FUNCTIONAL CASEMENT, REFER TO SPECIAL DRAWING.

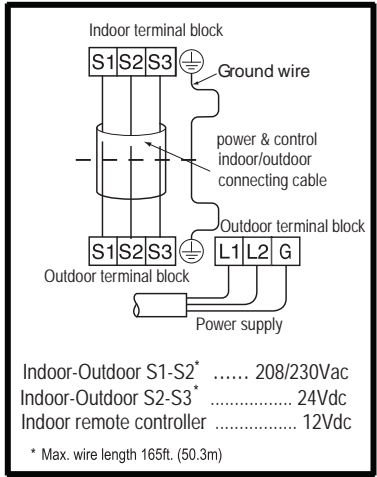
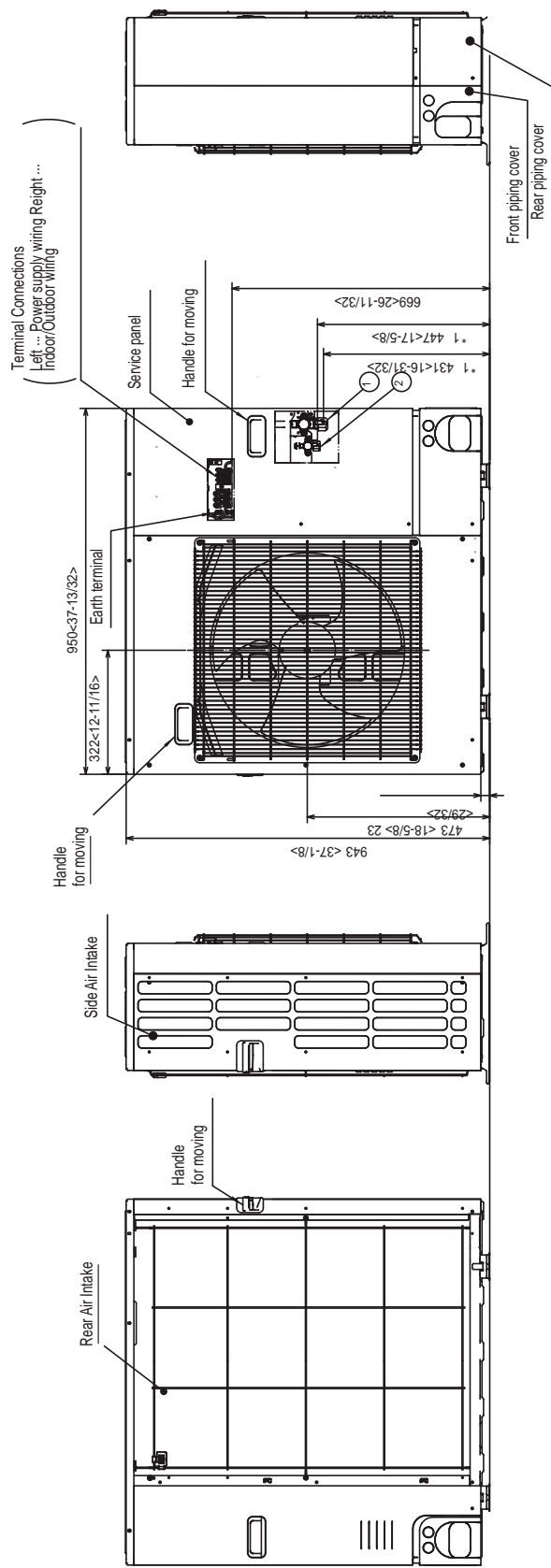
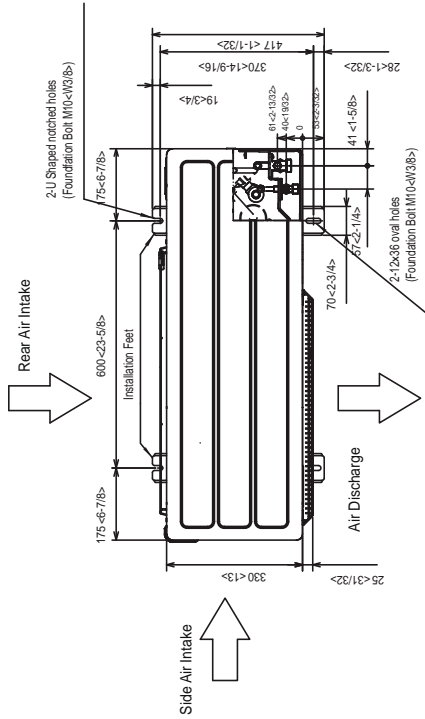
PLA-A30EA8

| MODELS | ① | A | B | C | D | E | F |
|---------------|---|---------------|---------------|------------|------------|-----------------------|------------------------|
| PLA-A12/18EA8 | REFRIGERANT PIPING FLARED CONNECTION 1/4" | 9-1/2 (241) | 13-1/16 (328) | 3/16 (4.8) | 3/16 (4.8) | 10-7/16 (265) OR MORE | 13-13/16 (350) OR LESS |
| PLA-A24-42EA8 | REFRIGERANT PIPING FLARED CONNECTION 3/8" | 11-1/16 (281) | 15-1/4 (391) | 7/8 (22.2) | 7/8 (22.2) | 12-3/8 (318) OR MORE | 17-3/16 (440) OR LESS |

DIMENSIONS: PUZ-A30NHA7

Unit: mm (in.)

Should this document be altered or changed without MESCO's permission, it becomes null and void. MESCO assumes no responsibility for any consequences in such cases.



Specifications are subject to change without notice.
 www.MitsubishiElectric.ca
 © 2023 Mitsubishi Electric Sales Canada Inc.