

Job Name:

Schedule Reference:

Date:

OUTDOOR VRF SYSTEM FEATURES

- Single-phase outdoor unit with variable refrigerant flow (VRF) zoning technology
- Inverter-driven (variable speed) compressor
- Total refrigerant piping length of 984' (300 m)
- Connects up to 12 indoor units
- Uses CITY MULTI indoor units and Controls Network
- Standard Base Heater included

OPTIONAL PARTS

- Branch Joint (T-Branch) CMY-Y62-G-E
- Header - Four Branch CMY-Y64-G-E
- Header - Eight Branch CMY-Y68-G-E

- Snow/Wind Guard (x2) CM-S-FR-NKMU
- Snow/Wind Guard Rear SG-1-RE
- Snow/Wind Guard Side SG-1-SD
- Snow/Wind Guard Blocker CM-S-BLK-NKMU

Note: Mitsubishi Electric (MESCA) supports the use of only MESCA supplied and approved Snow Guard / Wind Deflectors / Windscreens and accessories for proper functioning of the unit(s). Use of non-MESCA supported Snow Guard / Wind Deflectors / Windscreens and accessories will affect warranty coverage.

Specifications		Model Name
Unit Type		PUMY-HP48NKMU
Nominal Cooling Capacity	Btu/h *1	48,000
Nominal Heating Capacity	Btu/h *2	54,000
Operating Temperature Range	Cooling (Outdoor) *3	23°F ~ 115°F (-5°C ~ +46°C) DB
	Heating (Outdoor)	-13°F ~ +59°F (-25°C ~ +15°C) WB
External Dimensions (H x W x D)	In. / mm	52-11/16 x 41-11/32 x 13 (+1) / 1,338 x 1050 x 330 (+25)
External Finish / Colour		Galvanized sheets / Munsell No.3Y 7.8/1.1
Net Weight	Lbs. / kg	273 / 124
Electrical Power Requirements	Voltage, Phase, Hertz	208 / 230V, 1-phase, 60Hz
Minimum Circuit Ampacity (MCA) *	A	36
Maximum Overcurrent Protection	A	44
Piping Diameter (Flared) (In. / mm)	Liquid (High Pressure)	3/8 / 9.52
	Gas (Low Pressure)	5/8 / 15.88
Indoor Unit	Total Capacity	50 to 130% of Outdoor Unit Capacity
	Model / Quantity	P05 to P54 / 1 to 12
Sound Pressure Levels	dB(A) Clg / Htg	51 / 54
Fan		
Type x Quantity (kW)		Propeller Fan x 2 - (0.074 + 0.074)
Airflow Rate	CFM	3,885
Compressor Operating Range	Cooling	23% to 100%
	Heating	16% to 100%
Compressor Type x Quantity		INVERTER-driven Scroll Hermetic x 1
Compressor Motor Output	kW	3.4
Refrigerant		R410A: 10lbs. + 9oz. (4.8kg)
Lubricant		FV50S (2.3 liters)
High-pressure Protection Device		High pressure Switch, High pressure Sensor
Compressor Protection Device		Compressor thermistor, Overcurrent detection
Inverter Circuit Protection Device		Overcurrent detection, Overheat detection (Heat sink thermistor)
AHRI Ratings Ducted / Non-Ducted	EER	11.3 / 13.1
	SEER	16.5 / 22.6
	COP	NA
	HSPF	11.0 / 12.0

Notes:

*1. Nominal cooling conditions (subject to ISO 15042)
Indoor: 27°CDB./19°CWB. (81°FDB./66°FWB.), Outdoor: 35°CDB. (95°FDB.)
Pipe length: 7.5 m (24-9/16 ft.), Level difference: 0 m (0 ft.)

*2. Nominal heating conditions (subject to ISO 15042)
Indoor: 20°CDB. (68°FDB.), Outdoor: 7°CDB./6°CWB. (45°FDB./43°FWB.)
Pipe length: 7.5 m (24-9/16 ft.), Level difference: 0 m (0 ft.)

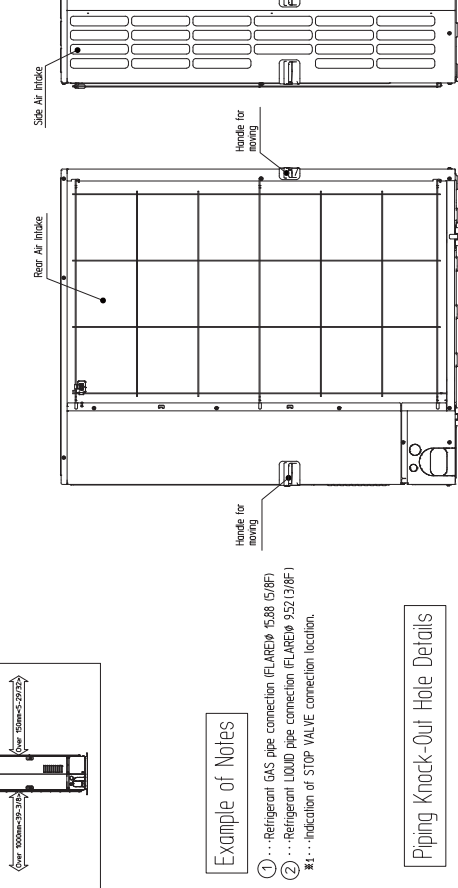
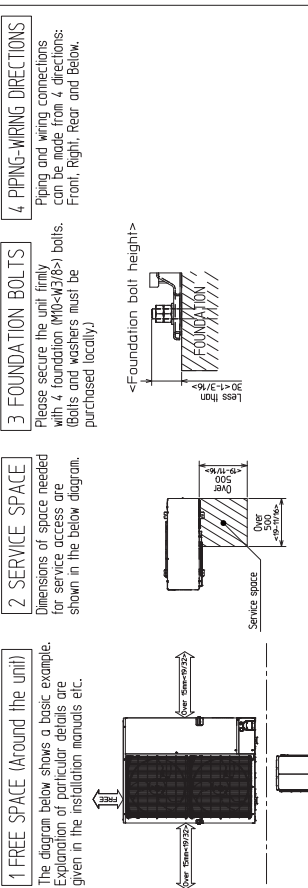
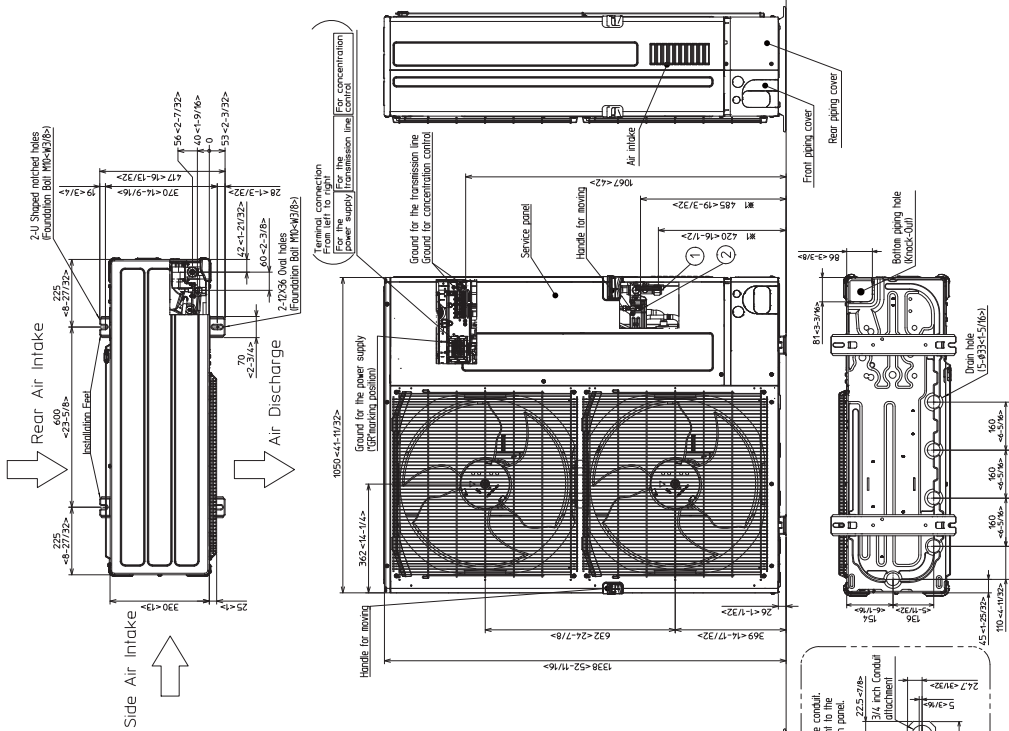
*3. 50 to 115°F (10 to 46°C)DB.: When connecting PKFY-P06NBMU, PKFY-P08NHMU, PFFY-P06/08/12NEMU, and PFFY-P06/08/12NRMU type indoor unit.

* All electrical work shall comply with National (NEC) and local codes and regulations.

*Should this document be altered or changed without MESCA's permission, it becomes null and void. MESCA assumes no responsibility for any consequences in such cases.

Model: PUMY-HP48NKMU - DIMENSIONS

Unit: mm(in)



Example of Notes

- ① ... Refrigerant GAS pipe connection (FLARE)ø 15.88 (5/8F)
- ② ... Refrigerant LIQUID pipe connection (FLARE)ø 9.52 (3/8F)
- *1 ... Indication of STOP VALVE connection location.

