

SVZ-KP12NA & SUZ-KA12NAHZ

12,000 Btu/h Multi-Position Air Handler Heat Pump

Job Name:	Location:	Date:
Purchaser:	Submitted by:	
Submitted to:	Reference	Approval
System Designation:	Schedule Number #:	
Engineer:		



Energy Efficiency	SEER	19.0
	EER	13.9
	HSPF	10.2

Accessories:

- Windscreens (ME-FR-24)
- Electric Heater Kit (See_SB_EH_MVZ_PVA_PVfy_SVZ)

Optional Controls:

- Wireless Controller (MHK1)
- Wired Remote Controller (PAR-40MAA)
- Thermostat Interface (PAC-US444CN-1)
- Simple MA Remote (PAC-YT53CRAU-J)
- Wireless Remote Controller (PAR-FL32MA-E)
- System Control Interface (MAC-334IF-E)

Indoor unit	MCA (*)	A	3
	Fan Motor	F.L.A	2.4
	Fan Motor Output	W	121
	Air flow (Lo-Mid-Hi)	DRY(CFM)	278-381-448
		WET(CFM)	-
	External Static Pressure	in WG	0.3 - 0.5 - 0.8
	Sound Pressure Level (Lo-Mid-Hi)	dB (A)	29-36-39
	External Finish Color		BLACK
	Dimensions	W: in	17
		D: in	21-5/8
		H: in	39-13/16
	Weight Unit	lbs	93
	Field Drainpipe O.D.	in	O.D. 3/4
	Refrigerant pipe Gas	in	3/8
	Refrigerant pipe Liquid	in	1/4
	Moisture Removal	Pints/h	0.8
Sensible Heat Factor		0.92	

*All electrical work shall comply with National (CEC), local codes and regulations.

Should this document be altered or changed without MESCA's permission, it becomes null and void. MESCA assumes no responsibility for any consequences in such cases.

Note: Mitsubishi Electric (MESCA) supports the use of only MESCA supplied and approved accessories for proper functioning of the unit(s). Use of non-MESCA supported accessories will affect warranty coverage.

SVZ-KP12NA & SUZ-KA12NAHZ

Outdoor unit	MCA (*)	A	14	
	MOCP (*) (Breaker)	A	24 (15)	
	Fan Motor	F.L.A.	0.67	
	Compressor	Model(Type)	DC INVERTER-Driven Twin Rotary	
		R.L.A.	10	
		L.R.A.	12.5	
	Air flow (Cooling/Heating)	CFM	(1,691/1,691)	
	Refrigerant Control	Linear Expansion Valve		
	Defrost Method	Reverse Cycle		
	SPL (Cooling)	dB (A)	54	
	SPL (Heating)	dB (A)	55	
	External Finish Color	Munsell No.3Y 7.8/1.1		
	Dimension	W: in	33-1/16	
		D: in	13	
H: in		34-5/8		
Weight	lbs	129		
Remote Controller	Type	Wired Remote Controller		
Refrigerant	Type	R410A		
	Charge	lbs, oz	3,9	
	Oil	Type(Fl.oz.)	FV50S(22.0)	
Refrigerant Pipe	Gas side O.D.	in	3/8	
	Liquid side O.D.	in	1/4	
	Height Difference (Max)	ft	40	
	Length (Max.)	ft	65	
Connection Method	Indoor/Outdoor	Flared/Flared		
Operation Guarantee	Cooling	°F	14 - 115	
	Heating	°F	-13 - 75	

Power supply	Voltage, Phase, Cycle	1-phase, 60Hz, 208/230V
Voltage	Indoor - Outdoor S1-S2	AC 208/230V
	Indoor - Outdoor S2-S3	DC12-24V
	Indoor - Remote controller	DC12V

		MAX (Btu)	MAX RATED INPUT (W)	RATED (Btu)	RATED TOTAL INPUT (W)	COP
Heating	47°F	19,080	1,455	15,900	1,158	3.84
	17°F	14,490	1,150	9,825	915	3.69
	5°F	14,490	895	6,450	712	2.65
	-4°F	10,360	683	3,859	544	2.08
	-13°F	6,231	454	956	361	0.78
Cooling	80°F	14,141	801	14,141	801	5.17

* COP at MAX capacity

NOTES : *1. Rating conditions (cooling)-Indoor : D.B. 26.7°C (80°F), W.B. 19.4°C (67°F) Outdoor : D.B. 35°C (95°F), W.B. 23.9°C (75°F)
(heating)-Indoor : D.B. 21.1°C (70°F), W.B. 15.6°C (60°F) Outdoor : D.B. 8.3°C (47°F), W.B. 6.1°C (43°F)
*2. Rating conditions (heating)-Indoor : D.B. 21.1°C (70°F), W.B. 15.6°C (60°F) Outdoor : D.B. -8.3°C (17°F), W.B. -9.4°C (15°F)

Operation range		Indoor intake air temperature		Outdoor intake air temperature	
Cooling	Maximum	D.B. 35°C (95°F), W.B. 21.7°C (71°F)	D.B. 46°C (115°F)		
	Minimum	D.B. 19.4°C (67°F), W.B. 13.9°C (57°F)	D.B. -10°C (14°F)		
Heating	Maximum	D.B. 26.7°C (80°F), W.B. 19.4°C (67°F)	D.B. 24°C (75°F), W.B. 18°C (65°F)		
	Minimum	D.B. 21.1°C (70°F), W.B. 15.6°C (60°F)	D.B. -25°C (-13°F), W.B. -26°C (-14°F)		

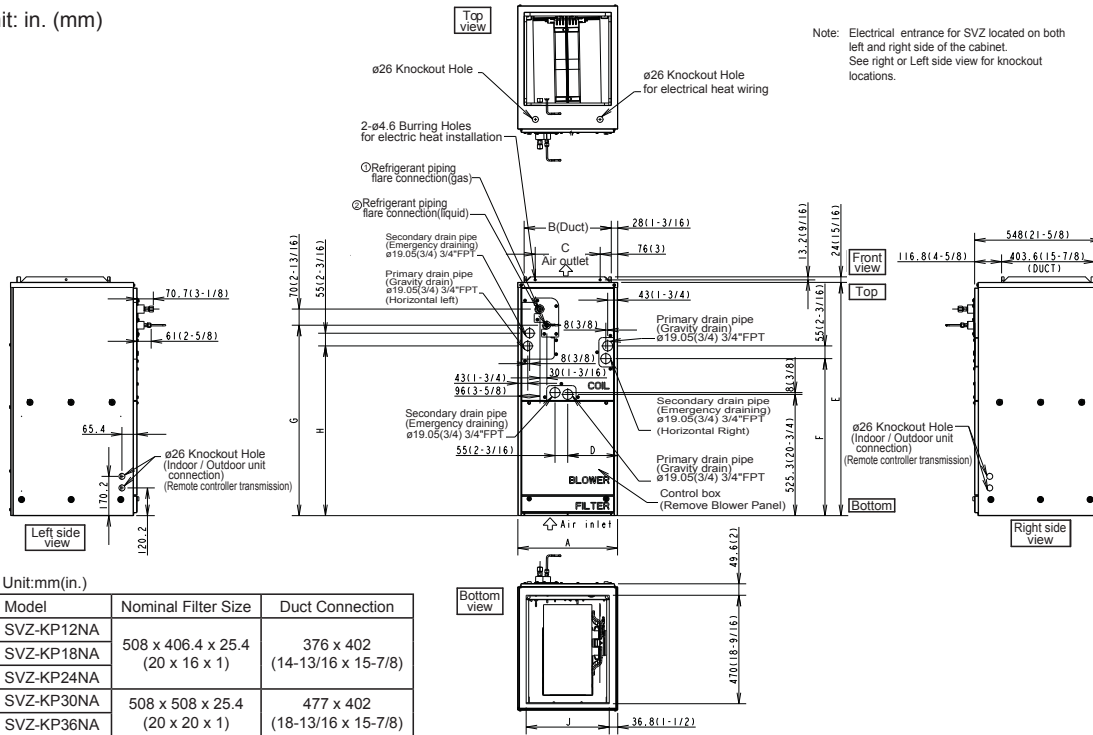
*All electrical work shall comply with National (CEC), local codes and regulations.

Should this document be altered or changed without MESCA's permission, it becomes null and void. MESCA assumes no responsibility for any consequences in such cases.

Note: Mitsubishi Electric (MESCA) supports the use of only MESCA supplied and approved accessories for proper functioning of the unit(s). Use of non-MESCA supported accessories will affect warranty coverage.

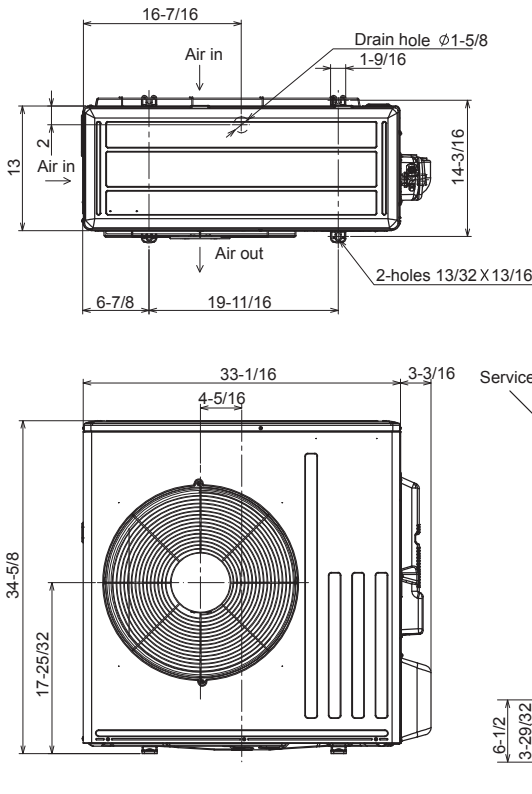
SVZ-KP12NA & SUZ-KA12NAHZ

Unit: in. (mm)

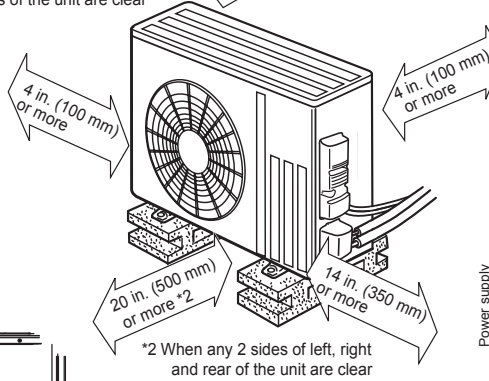


Model	A	B	C	D	E	F	G	H	J	Gas Pipe ø 9.52 (3/8) ø 12.7 (1/2)	Liquid Pipe ø 6.35 (1/4) ø 9.52 (3/8)
SVZ-KP12NA	452 (17.8)	291 (11.5)	291 (11.5)	254 (10)	1,015 (40)	609 (24)	625 (24.6)	735.5 (29)	509 (20)	ø 12.7 (1/2)	ø 9.52 (3/8)
SVZ-KP18NA	477 (18.8)	316 (12.4)	316 (12.4)	279 (11)	1,040 (41)	634 (25)	650 (25.6)	760 (30)	534 (21)	ø 15.88 (5/8)	ø 9.52 (3/8)
SVZ-KP24NA	502 (19.8)	341 (13.4)	341 (13.4)	304 (12)	1,065 (42)	659 (26)	675 (26.6)	785.5 (31)	559 (22)	ø 15.88 (5/8)	ø 9.52 (3/8)
SVZ-KP30NA	527 (20.7)	366 (14.4)	366 (14.4)	329 (13)	1,090 (43)	684 (27)	700 (27.6)	810 (32)	584 (23)	ø 15.88 (5/8)	ø 9.52 (3/8)
SVZ-KP36NA	552 (21.7)	391 (15.4)	391 (15.4)	354 (14)	1,115 (44)	709 (28)	725 (28.6)	835 (33)	609 (24)	ø 15.88 (5/8)	ø 9.52 (3/8)

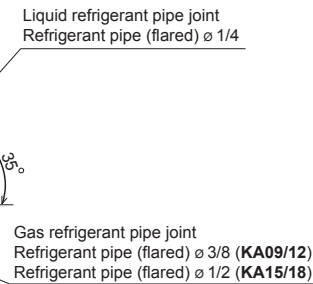
REQUIRED SPACE



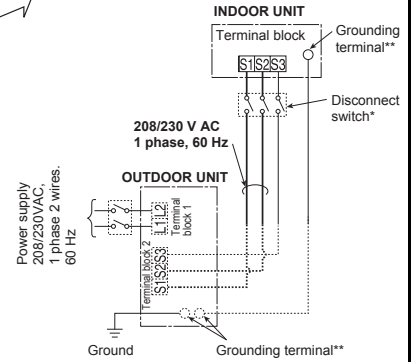
*1 20 in. (500 mm) or more when front and sides of the unit are clear



*2 When any 2 sides of left, right and rear of the unit are clear



Unit: inch



Remark:
* A disconnect switch is required. Check the local code.
** Use a ring tongue terminal in order to connect a ground wire to terminal.



*All electrical work shall comply with National (CEC), local codes and regulations.

Should this document be altered or changed without MESCA's permission, it becomes null and void. MESCA assumes no responsibility for any consequences in such cases.

Note: Mitsubishi Electric (MESCA) supports the use of only MESCA supplied and approved accessories for proper functioning of the unit(s). Use of non-MESCA supported accessories will affect warranty coverage.

