



SPLIT-TYPE, HEAT PUMP AIR CONDITIONERS

Changes for the Better

May 2012

No.OCB467

REVISED EDITION-A



PARTS CATALOG

R410A

Outdoor unit

[Model names]

SUZ-KA09NA

SUZ-KA12NA

SUZ-KA15NA

SUZ-KA18NA

[Service Ref.]

SUZ-KA09NA.TH

SUZ-KA12NA.TH

SUZ-KA15NA.TH

SUZ-KA18NA.TH

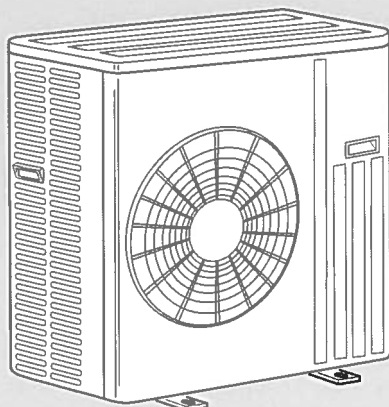
Revision:

- "1. RoHS PARTS LIST" has been modified in REVISED EDITION-A.
- Some descriptions have been modified.

- Please void OCB467.

Note:

- RoHS compliant products have <G> mark on the spec name plate.



SUZ-KA18NA.TH

CONTENTS

1. RoHS PARTS LIST.....2
2. OPTIONAL PARTS..... Back cover

SERVICE MANUAL (OCH467)

Revision:

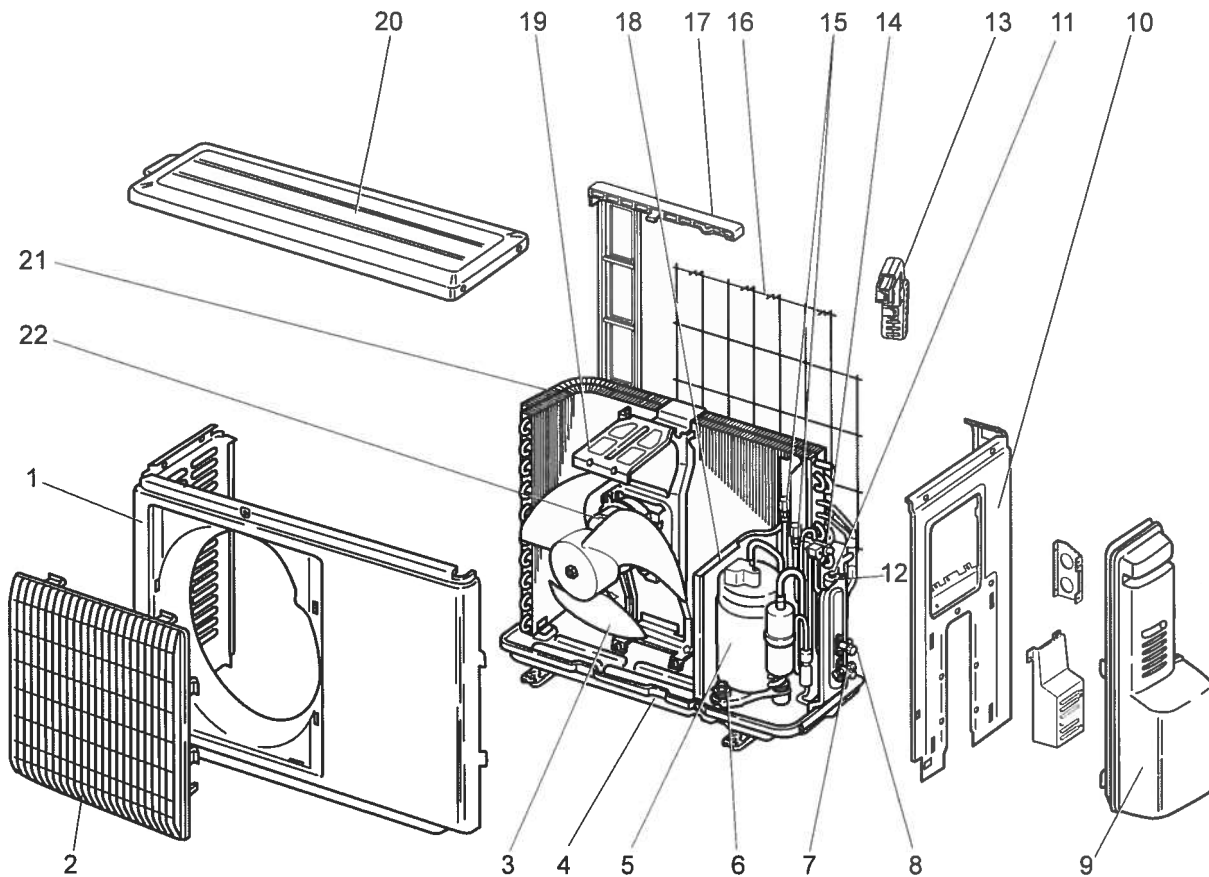
"1. RoHS PARTS LIST" has been modified on page 7.

| Revised point | Page | Service Ref. | Incorrect | Correct |
|---|------|---------------|-------------|-------------|
| OUTDOOR UNIT STRUCTURAL PARTS No.6 FAN GUARD | 7 | SUZ-KA18NA.TH | E12 819 521 | E12 D84 521 |

1 RoHS PARTS LIST

SUZ-KA09NA.TH
SUZ-KA12NA.TH
SUZ-KA15NA.TH

1-1. OUTDOOR UNIT STRUCTURAL PARTS AND FUNCTIONAL PARTS



RoHS PARTS LIST

1-1. OUTDOOR UNIT STRUCTURAL PARTS AND FUNCTIONAL PARTS

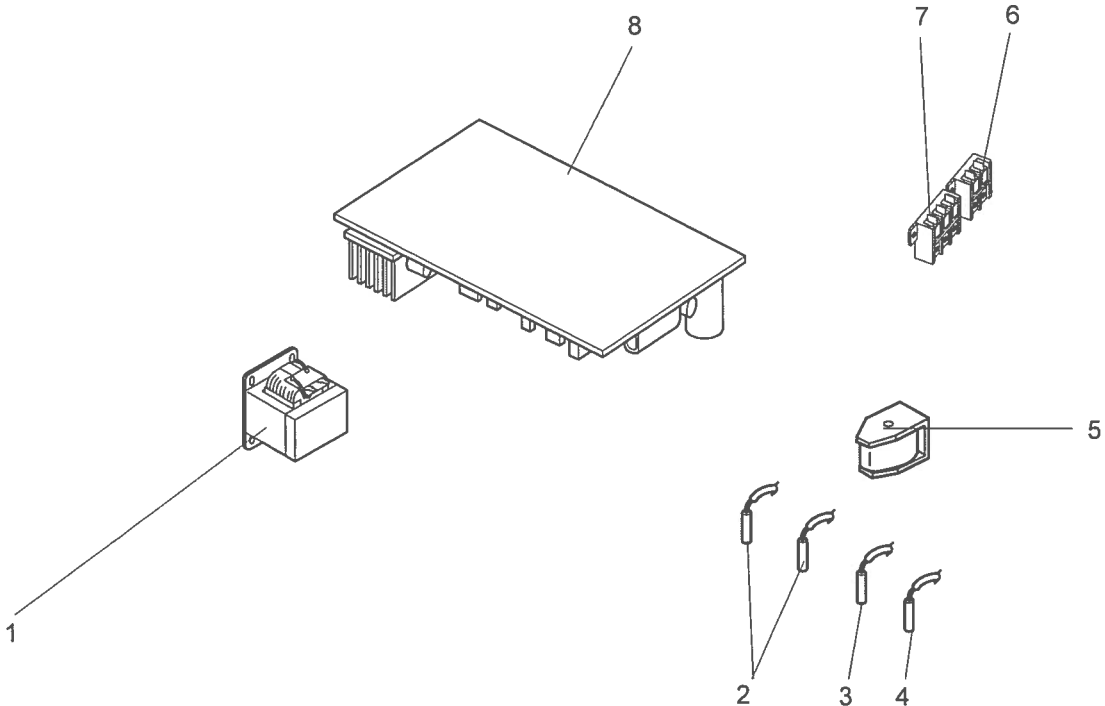
Part numbers that are circled are not shown in the illustration.

| No. | RoHS | Part No. | Part name | Symbol in Wiring Diagram | Q'ty/unit | | | Remarks |
|-----|------|-------------|--------------------------------|--------------------------------|--------------|----|----|-------------------------------------|
| | | | | | SUZ-KA-NA.TH | | | |
| | | | | | 09 | 12 | 15 | |
| 1 | G | E12 927 232 | CABINET | | 1 | 1 | 1 | |
| 2 | G | E12 927 521 | GRILLE | | 1 | 1 | 1 | |
| 3 | G | E12 927 501 | PROPELLER FAN | | 1 | 1 | 1 | |
| 4 | G | E12 A82 290 | BASE | | 1 | 1 | 1 | |
| 5 | G | E12 E79 900 | COMPRESSOR | MC | 1 | | | KNB073FQDHC |
| | G | E12 E80 900 | COMPRESSOR | MC | | 1 | | KNB092FQAHC |
| | G | E12 E34 900 | COMPRESSOR | MC | | | 1 | SNB130FQBH |
| 6 | G | E12 C34 506 | COMPRESSOR RUBBER SET | | | | 3 | 3RUBBERS/SET |
| | G | E12 065 506 | COMPRESSOR RUBBER SET | | 3 | 3 | | 3RUBBERS/SET |
| 7 | G | E12 A54 661 | STOP VALVE (GAS) (ø9.52) | | 1 | 1 | | ø3/8 |
| | G | E12 A56 661 | STOP VALVE (GAS) (ø12.7) | | | | 1 | ø1/2 |
| 8 | G | E12 927 662 | STOP VALVE (LIQUID) (ø6.35) | | 1 | 1 | 1 | ø1/4 |
| 9 | G | E12 A49 245 | SERVICE PANEL | | 1 | 1 | 1 | |
| 10 | G | E12 E79 233 | BACK PANEL | | 1 | 1 | 1 | |
| 11 | G | E12 A54 640 | EXPANSION VALVE | | | | 1 | |
| | G | E12 927 640 | EXPANSION VALVE | | 1 | 1 | | |
| 12 | G | E12 927 493 | EXPANSION VALVE COIL | LEV | 1 | 1 | 1 | |
| 13 | G | E12 928 079 | THERMO HOLDER | | 1 | | | |
| | G | E12 930 079 | THERMO HOLDER | | | 1 | 1 | |
| 14 | G | E12 A54 961 | 4-WAY VALVE | | 1 | 1 | 1 | |
| 15 | G | E12 E79 641 | SERVICE PORT | | 2 | 2 | 2 | |
| 16 | G | E12 928 525 | CONDENSER NET | | 1 | | | |
| | G | E12 930 525 | CONDENSER NET | | | 1 | 1 | |
| 17 | G | E12 928 523 | CONDENSER WIRE NET | | 1 | | | |
| | G | E12 930 523 | CONDENSER WIRE NET | | | 1 | 1 | |
| 18 | G | E12 C34 293 | SEPARATOR | | | 1 | 1 | |
| | G | E12 D69 293 | SEPARATOR | | 1 | | | |
| 19 | G | E12 929 515 | MOTOR SUPPORT | | | 1 | 1 | |
| | G | E12 927 515 | MOTOR SUPPORT | | 1 | | | |
| 20 | G | E12 927 297 | TOP PANEL | | 1 | 1 | 1 | |
| 21 | G | E12 D69 630 | OUTDOOR HEAT EXCHANGER | | 1 | | | |
| | G | E12 D70 630 | OUTDOOR HEAT EXCHANGER | | | 1 | 1 | |
| 22 | G | E12 E79 301 | OUTDOOR FAN MOTOR | MF | 1 | 1 | 1 | RC0J50-□□ |
| 23 | G | E12 927 937 | CAPILLARY TUBE (ø3.0×ø2.0×240) | | 1 | 1 | 1 | O.D. 0.118 × I.D. 0.079 × 9-7/16 |
| 24 | G | E12 735 936 | CAPILLARY TUBE (ø3.0×ø1.8×600) | | | 2 | 2 | O.D. 0.118 × I.D. 0.071 × 23-5/8 |

RoHS PARTS LIST

SUZ-KA09NA.TH
SUZ-KA12NA.TH
SUZ-KA15NA.TH

1-2. OUTDOOR UNIT ELECTRICAL PARTS



RoHS PARTS LIST

1-2. OUTDOOR UNIT ELECTRICAL PARTS

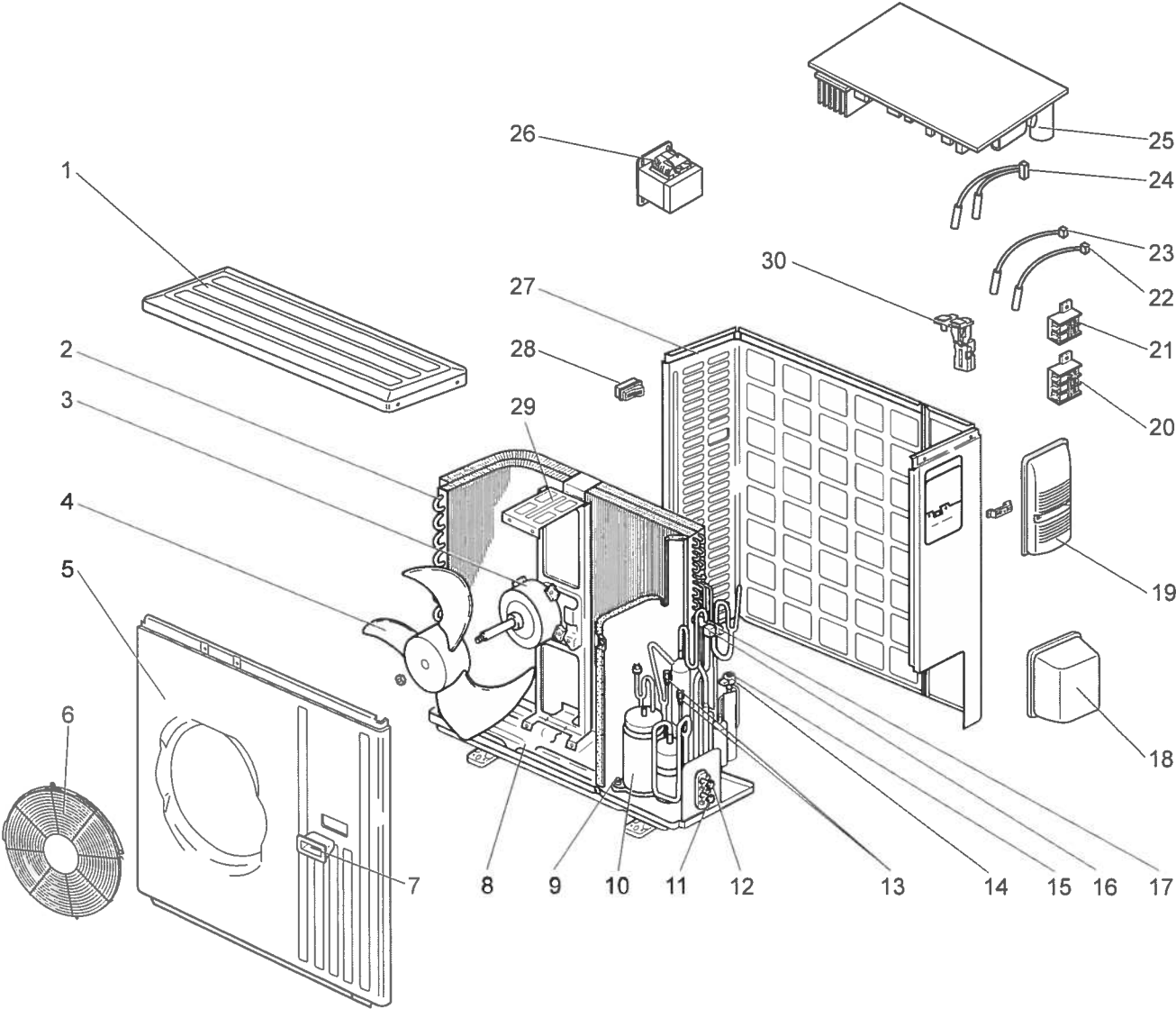
Part numbers that are circled are not shown in the illustration.

| No. | RoHS | Part No. | Part name | Symbol in Wiring Diagram | Q'ty/unit | | | Remarks |
|-----|------|-------------|---|--------------------------|--------------|----|----|------------------------------|
| | | | | | SUZ-KA-NA.TH | | | |
| | | | | | 09 | 12 | 15 | |
| 1 | G | E12 838 337 | REACTOR | L61 | | 1 | 1 | |
| | G | E12 B72 337 | REACTOR | L61 | 1 | | | |
| 2 | G | E12 C34 306 | THERMISTOR SET | RT61,RT62 | 1 | 1 | 1 | DEFROST, DISCHARGE |
| 3 | G | E12 927 308 | AMBIENT TEMPERATURE THERMISTOR | RT65 | 1 | 1 | 1 | |
| 4 | G | E12 C34 307 | OUTDOOR HEAT EXCHANGER TEMPERATURE THERMISTOR | RT68 | 1 | 1 | 1 | |
| 5 | G | E12 C85 490 | R.V. COIL | 21S4 | 1 | 1 | 1 | |
| 6 | G | E12 A53 374 | TERMINAL BLOCK | TB1 | 1 | 1 | 1 | 2P (L1, L2) |
| 7 | G | E12 927 374 | TERMINAL BLOCK | TB2 | 1 | 1 | 1 | 3P (S1, S2, S3) |
| 8 | G | E17 608 451 | INVERTER P.C. BOARD | | 1 | | | Including heat sink and RT64 |
| | G | E17 609 451 | INVERTER P.C. BOARD | | | 1 | | |
| | G | E17 610 451 | INVERTER P.C. BOARD | | | | 1 | |
| ⑨ | G | E12 784 382 | FUSE | F701,F801,F901 | 1 | 1 | 1 | T3.15AL250V |
| ⑩ | G | E12 661 385 | VARISTOR | NR61-64 | 1 | 1 | 1 | |

RoHS PARTS LIST

SUZ-KA18NA.TH

1-3. OUTDOOR UNIT STRUCTURAL PARTS, ELECTRICAL PARTS AND FUNCTIONAL PARTS



RoHS PARTS LIST

1-3. OUTDOOR UNIT STRUCTURAL PARTS, ELECTRICAL PARTS AND FUNCTIONAL PARTS

Part numbers that are circled are not shown in the illustration.

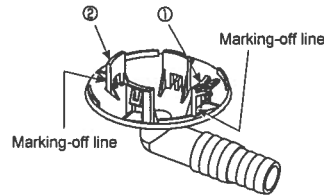
| No. | RoHS | Part No. | Part Name | Symbol in Wiring Diagram | Q'ty/unit | Remarks |
|-----|------|-------------|---|--------------------------|---------------|-----------------------------------|
| | | | | | SUZ-KA18NA.TH | |
| 1 | G | E12 819 297 | TOP PANEL | | 1 | |
| 2 | G | E12 E82 630 | OUTDOOR HEAT EXCHANGER | | 1 | |
| 3 | G | E12 E34 301 | OUTDOOR FAN MOTOR | MF | 1 | RC0J77-□□ |
| 4 | G | E12 851 501 | PROPELLER FAN | | 1 | |
| 5 | G | E12 819 232 | CABINET | | 1 | |
| 6 | G | E12 D84 521 | FAN GUARD | | 1 | |
| 7 | G | E12 819 009 | HANDLE | | 1 | |
| 8 | G | E12 D86 290 | BASE | | 1 | |
| 9 | G | E12 C34 506 | COMPRESSOR RUBBER SET | | 3 | 3RUBBERS/SET |
| 10 | G | E12 E34 900 | COMPRESSOR | MC | 1 | SNB130FQBH |
| 11 | G | E12 A56 661 | STOP VALVE (GAS) (ø12.7) | | 1 | ø1/2 |
| 12 | G | E12 927 662 | STOP VALVE (LIQUID) (ø6.35) | | 1 | ø1/4 |
| 13 | G | E12 E79 641 | SERVICE PORT | | 2 | |
| 14 | G | E12 E05 493 | EXPANSION VALVE COIL | LEV | 1 | |
| 15 | G | E12 851 640 | EXPANSION VALVE | | 1 | |
| 16 | G | E12 E82 490 | R.V. COIL | 21S4 | 1 | |
| 17 | G | E12 A56 961 | 4-WAY VALVE | | 1 | |
| 18 | G | E12 819 650 | VALVE COVER | | 1 | |
| 19 | G | E12 E82 245 | SERVICE PANEL | | 1 | |
| 20 | G | E12 935 374 | TERMINAL BLOCK | TB2 | 1 | 3 P (S1, S2, S3) |
| 21 | G | E12 A54 374 | TERMINAL BLOCK | TB1 | 1 | 2 P (L1, L2) |
| 22 | G | E12 E05 307 | OUTDOOR HEAT EXCHANGER TEMP. THERMISTOR | RT68 | 1 | |
| 23 | G | E12 D58 309 | AMBIENT TEMPERATURE THERMISTOR | RT65 | 1 | |
| 24 | G | E12 E05 308 | THERMISTOR SET | RT61,RT62 | 1 | DEFROST, DISCHARGE |
| 25 | G | E17 611 451 | INVERTER P.C. BOARD | | 1 | Including heat sink and RT64 |
| 26 | G | E12 D58 337 | REACTOR | L61 | 1 | |
| 27 | G | E12 E82 233 | BACK PANEL (OUT) | | 1 | |
| 28 | G | E12 817 009 | HANDLE | | 1 | |
| 29 | G | E12 851 515 | MOTOR SUPPORT | | 1 | |
| 30 | G | E12 E82 079 | THERMO HOLDER | | 1 | |
| ③1 | G | E12 784 382 | FUSE | F701, F801, F901 | 1 | T3.15AL250V |
| ③2 | G | E12 661 385 | VARISTOR | NR61-64 | 1 | |
| ③3 | G | E12 853 936 | CAPILLARY TUBE (ø3.6×ø2.4×50) | | 1 | O.D. 0.142 × I.D. 0.094 × 1-31/32 |

2

OPTIONAL PARTS

2-1. DRAIN SOCKET

| Model | Parts No. |
|--|-----------|
| SUZ-KA09NA SUZ-KA12NA SUZ-KA15NA | MAC-860DS |

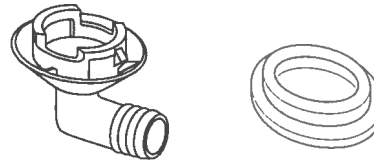


Installing a Drain Socket

For Φ 1-5/8 (Φ 42) hole

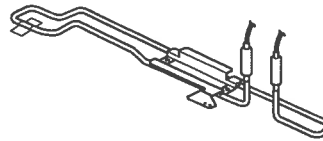
Put the tab ① in the hole first, and then the tab ②.

| Model | Parts No. |
|------------|-----------|
| SUZ-KA18NA | MAC-811DS |



2-2. DEFROST HEATER

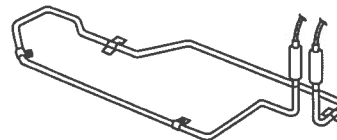
| Model | Parts No. |
|--|-------------|
| SUZ-KA09NA SUZ-KA12NA SUZ-KA15NA | MAC-640BH-U |



Components

| | | | |
|------------------|---|-----------------------|---|
| ① Defrost heater | 1 | ④ Cable tie | 1 |
| ② Aluminum tape | 1 | ⑤ Self drilling screw | 2 |
| ③ Heater support | 1 | ⑥ Insulation | 1 |

| Model | Parts No. |
|------------|-------------|
| SUZ-KA18NA | MAC-641BH-U |



Components

| | | | | | | | | | |
|------------------|---|-----------------------|---|------------------|---|------------------|---|------------------|---|
| ① Defrost heater | 1 | ④ Cable tie | 1 | ⑦ Heater cover A | 1 | ⑧ Heater cover B | 1 | ⑨ Heater cover C | 1 |
| ② Aluminum tape | 3 | ⑤ Self drilling screw | 9 | | 1 | | 1 | | 1 |
| ③ Heater support | 2 | ⑥ Clamp | 1 | | | | | | |

Note: Refer to the installation manual for the installation.

MITSUBISHI ELECTRIC CORPORATION

HEAD OFFICE : TOKYO BLDG., 2-7-3, MARUNOUCHI, CHIYODA-KU, TOKYO 100-8310, JAPAN